

[54] MOTORCYCLE

[75] Inventor: Shinji Iwasaki, Tokyo, Japan

[73] Assignee: Yamaha Hatsudoki Kabushiki Kaisha, Japan

[**] Term: 14 Years

[21] Appl. No.: 240,802

[22] Filed: Mar. 5, 1981

[30] Foreign Application Priority Data
Sep. 6, 1980 [JP] Japan 55-36784

[51] Int. Cl. D12-11
[52] U.S. Cl. D12/110
[58] Field of Search D12/110; 180/219

[56] References Cited
PUBLICATIONS

Cycle World, 2/79, p. 57, Honda CB650.
Cycle World, 2/79, p. 86, Kawasaki LTD400.
Cycle World, 6/80, p. 74, Yamaha 1979 XS650F, top of page.

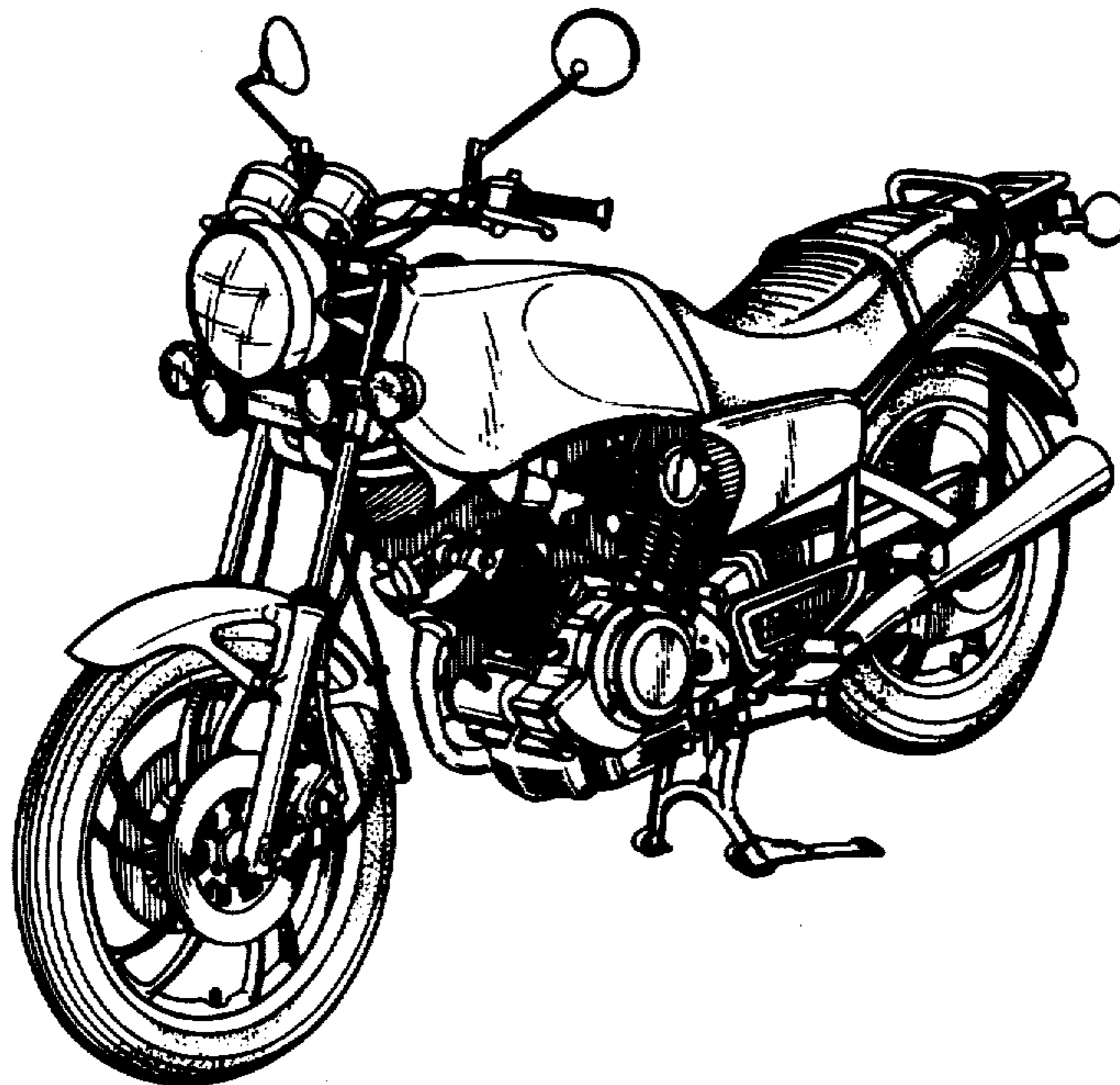
Primary Examiner—James M. Gandy
Attorney, Agent, or Firm—Ostrolenk, Faber, Gerb & Soffen

[57] CLAIM

The ornamental design for a motorcycle, as shown.

DESCRIPTION

FIG. 1 is a perspective view of a motorcycle showing my new design;
FIG. 2 is a left side elevational view thereof;
FIG. 3 is a right side elevational view thereof;
FIG. 4 is a front elevational view thereof;
FIG. 5 is a rear elevational view thereof; and
FIG. 6 is a top plan view thereof.



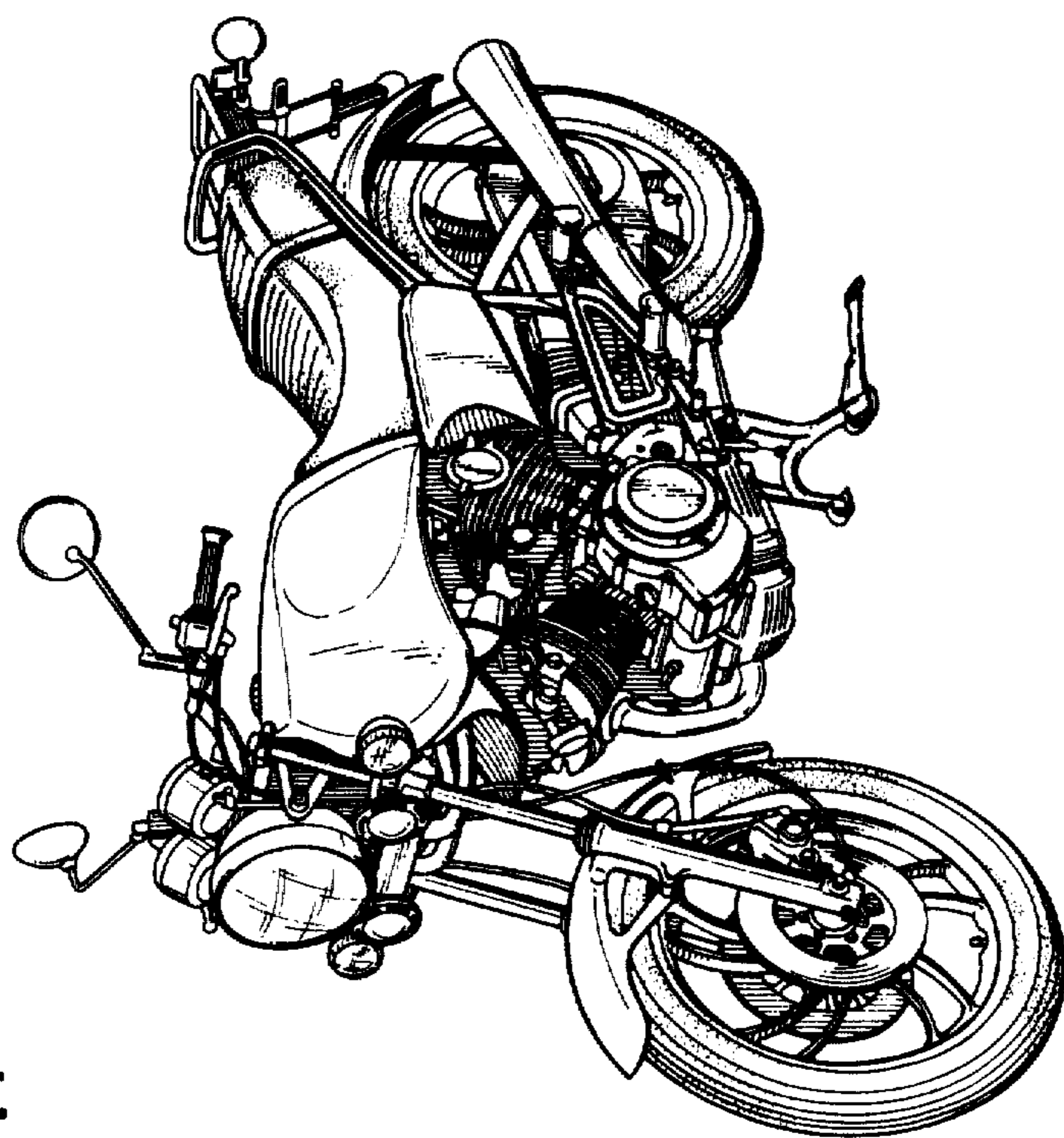
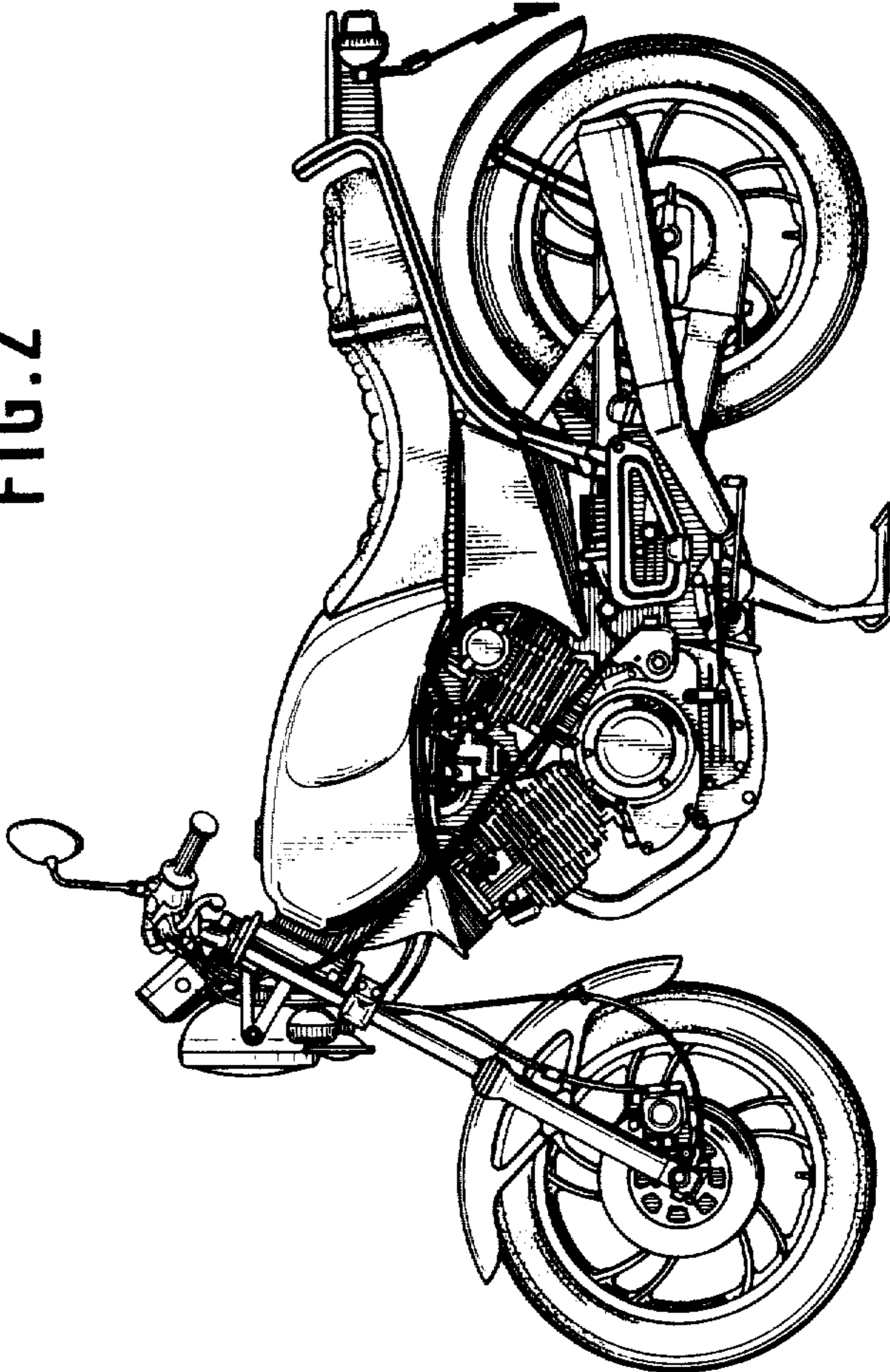


FIG. 1

FIG. 2



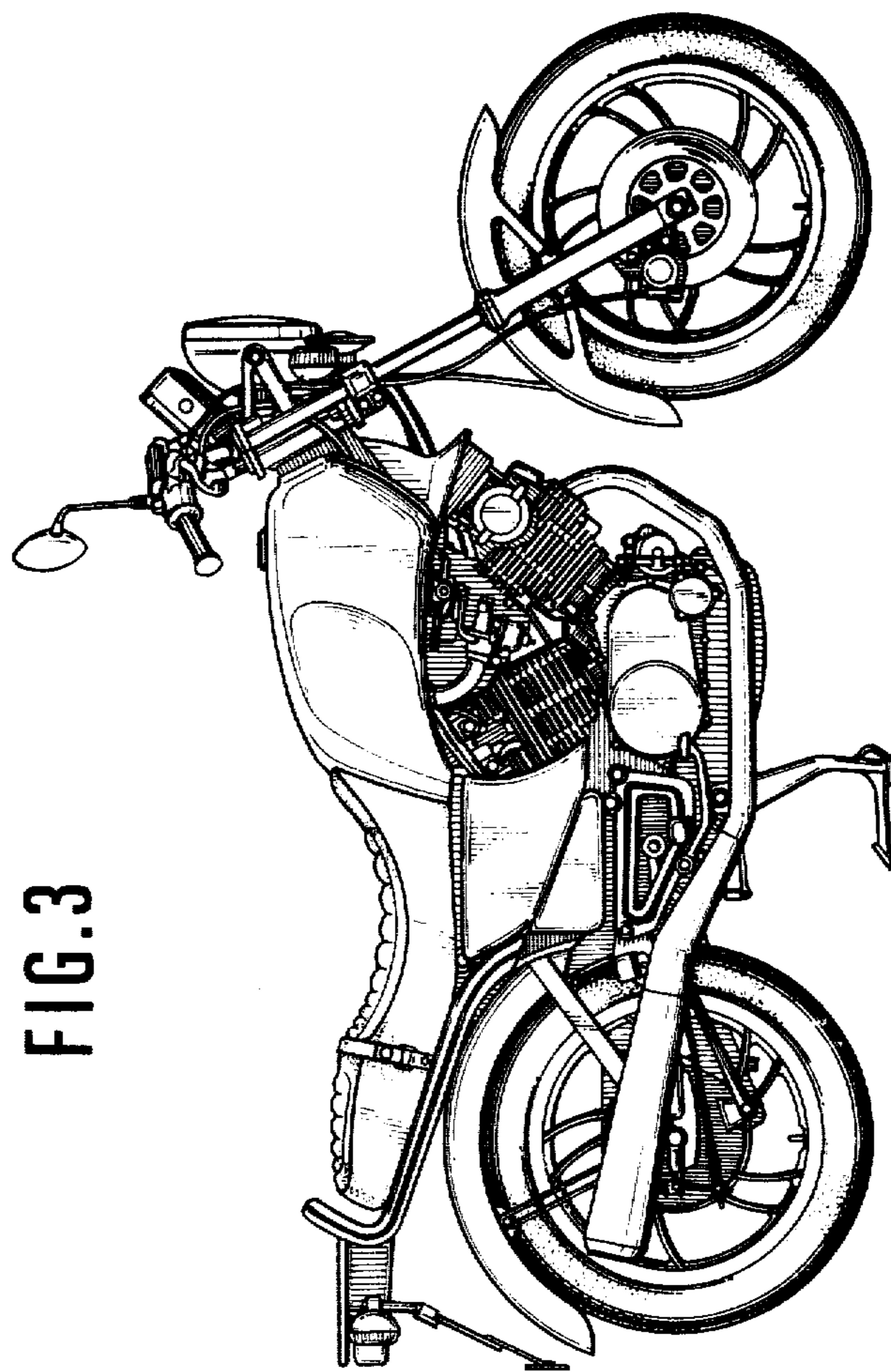


FIG. 3

FIG.5

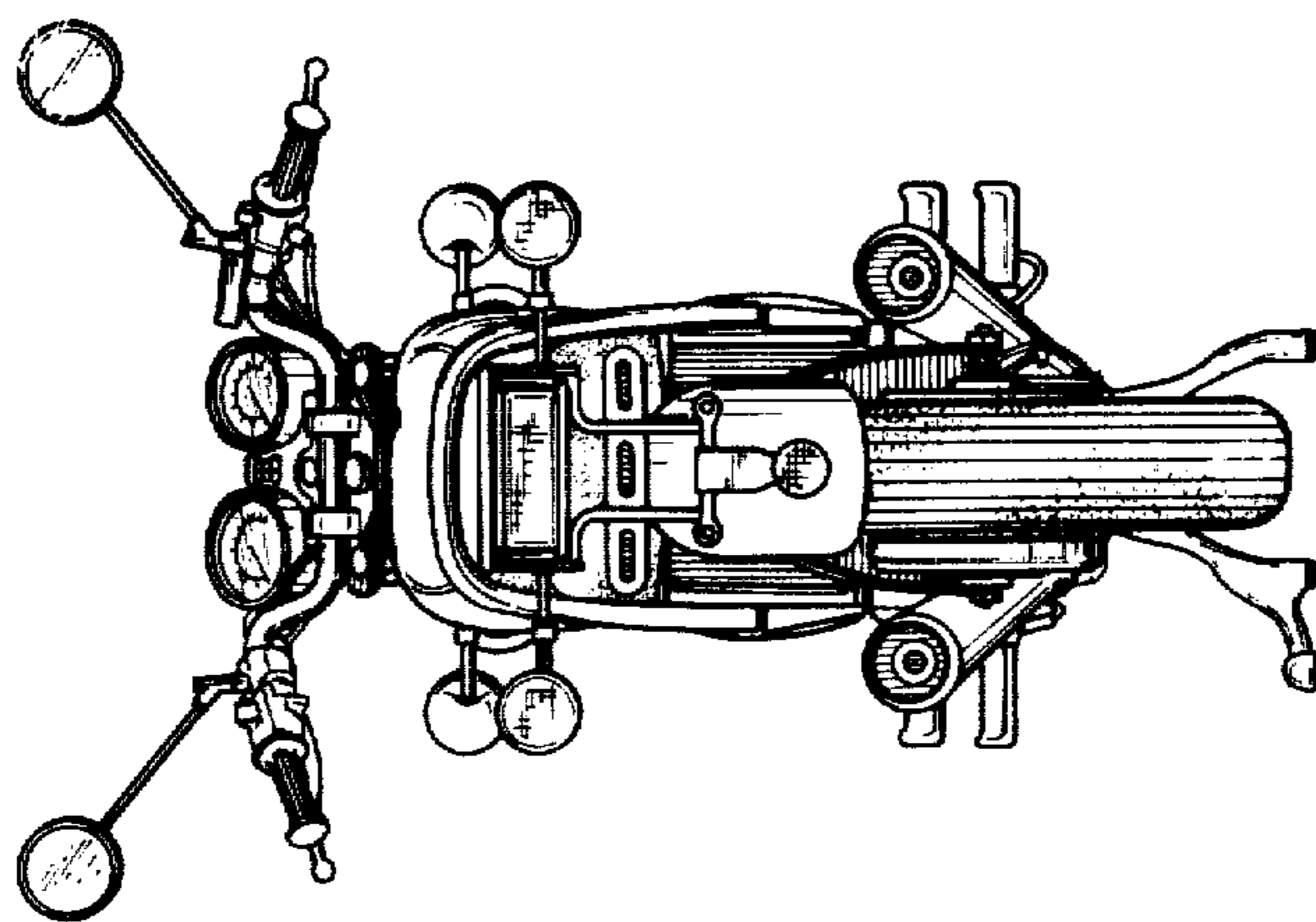


FIG.4

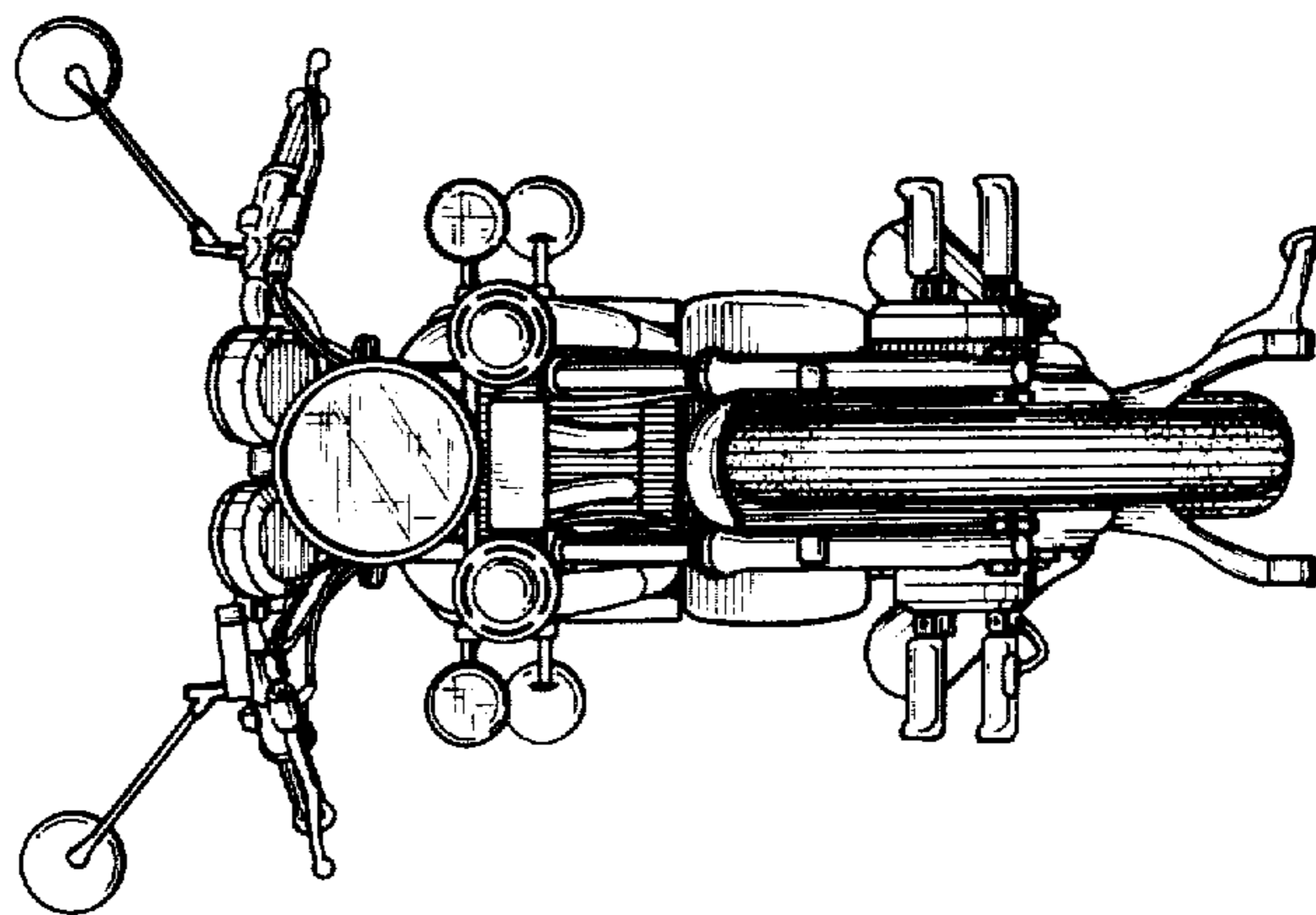


FIG. 6

