

[54] TRAILER BODY

[75] Inventor: Donald J. Reid, Plymouth, Mich.

[73] Assignee: Kelsey Hayes Co., Romulus, Mich.

[\*\*] Term: 14 Years

[21] Appl. No.: 218,885

[22] Filed: Dec. 22, 1980

[51] Int. Cl. .... D12-10

[52] U.S. Cl. .... D12/102

[58] Field of Search ..... D12/102, 104; 296/181, 296/168; 280/656

[56] References Cited

U.S. PATENT DOCUMENTS

- D. 232,817 9/1974 Watson ..... D12/102
- D. 265,301 7/1982 Zander ..... D12/102

Primary Examiner—James M. Gandy  
Attorney, Agent, or Firm—Ralph J. Skinkiss

[57] CLAIM

The ornamental design for a trailer body, substantially as shown and described.

DESCRIPTION

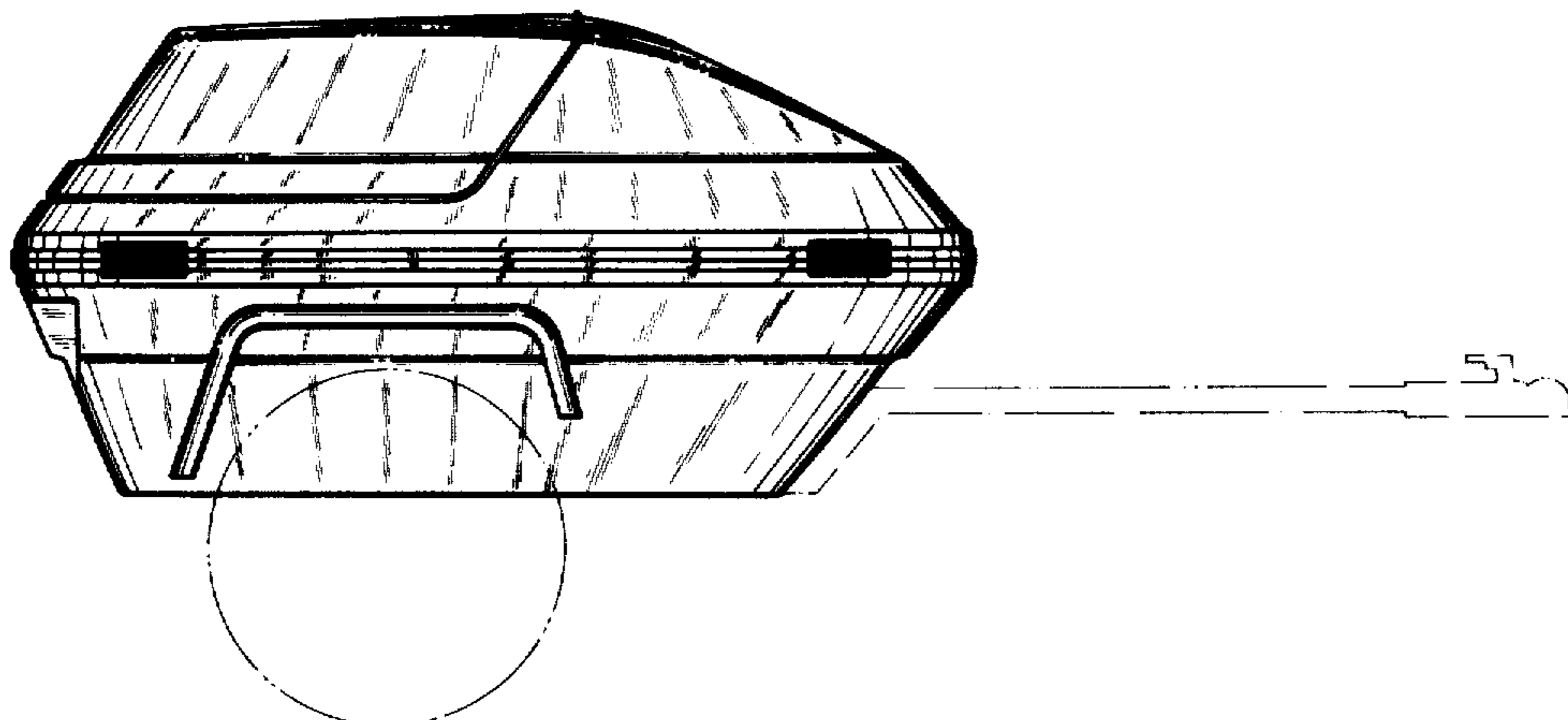
FIG. 1 is a right side elevational view of a trailer body showing my new design.

FIG. 2 is a top plan view thereof.

FIG. 3 is a front elevational view thereof.

FIG. 4 is a rear elevational view thereof.

The broken lines in the drawing are for illustrative purposes only.



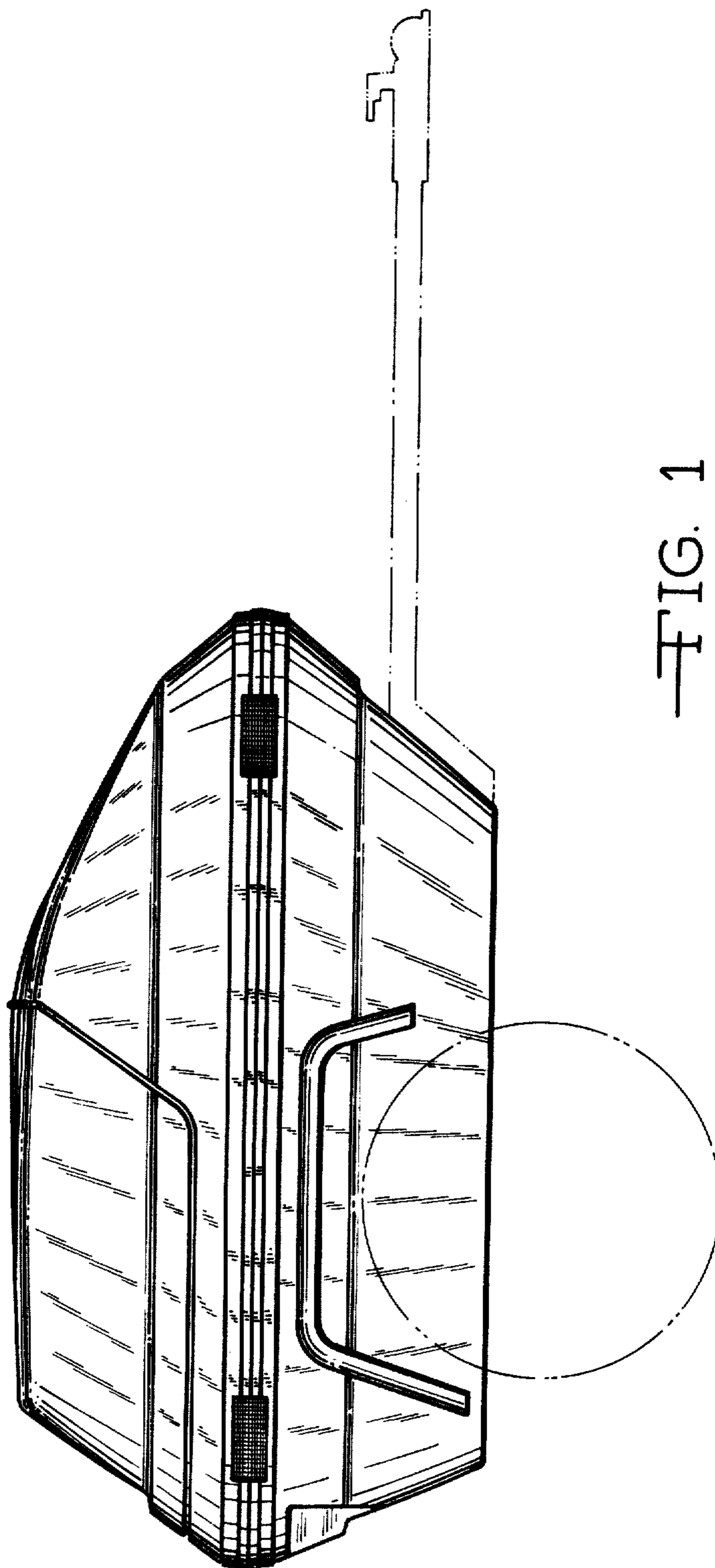


FIG. 1

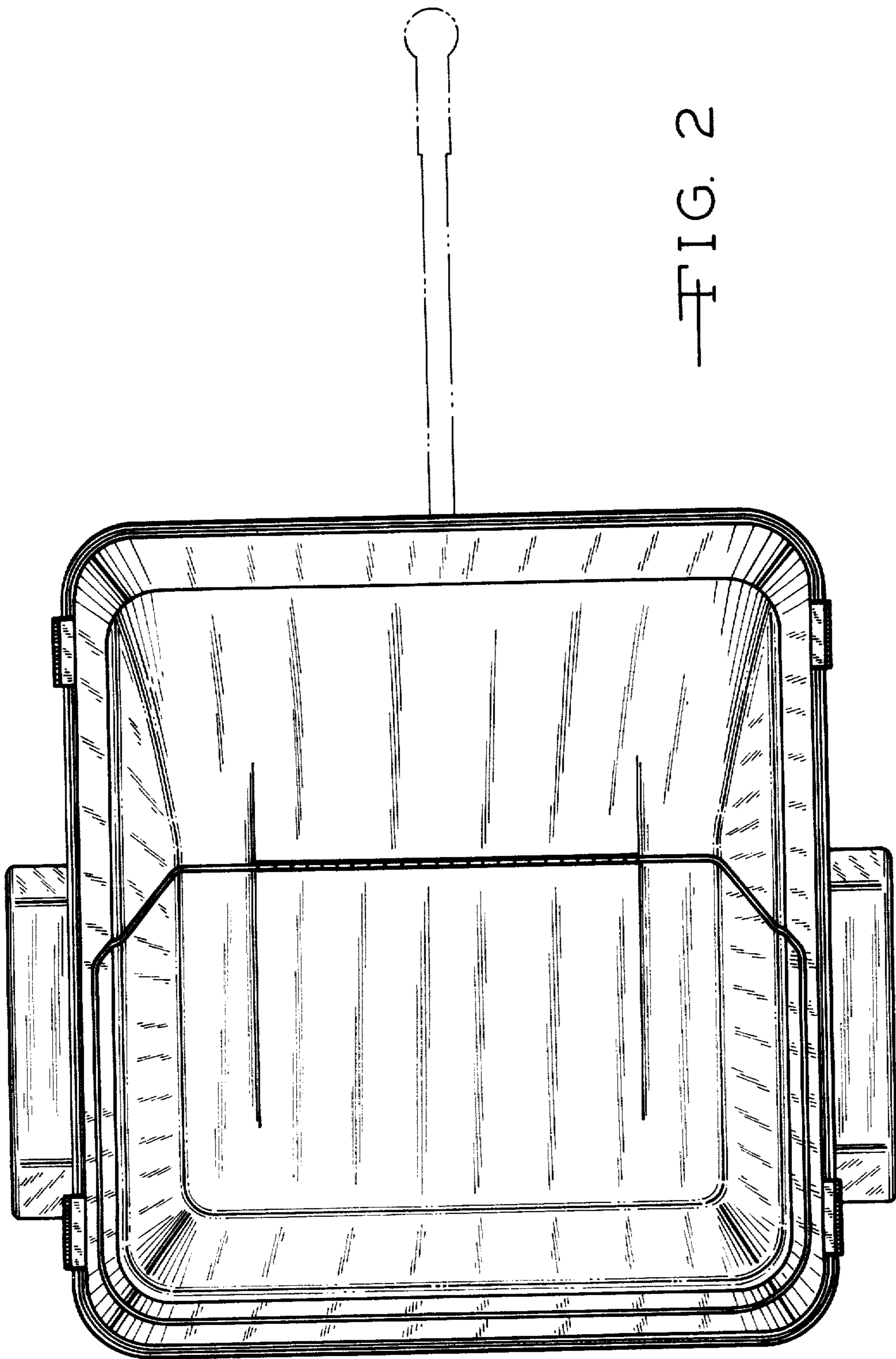
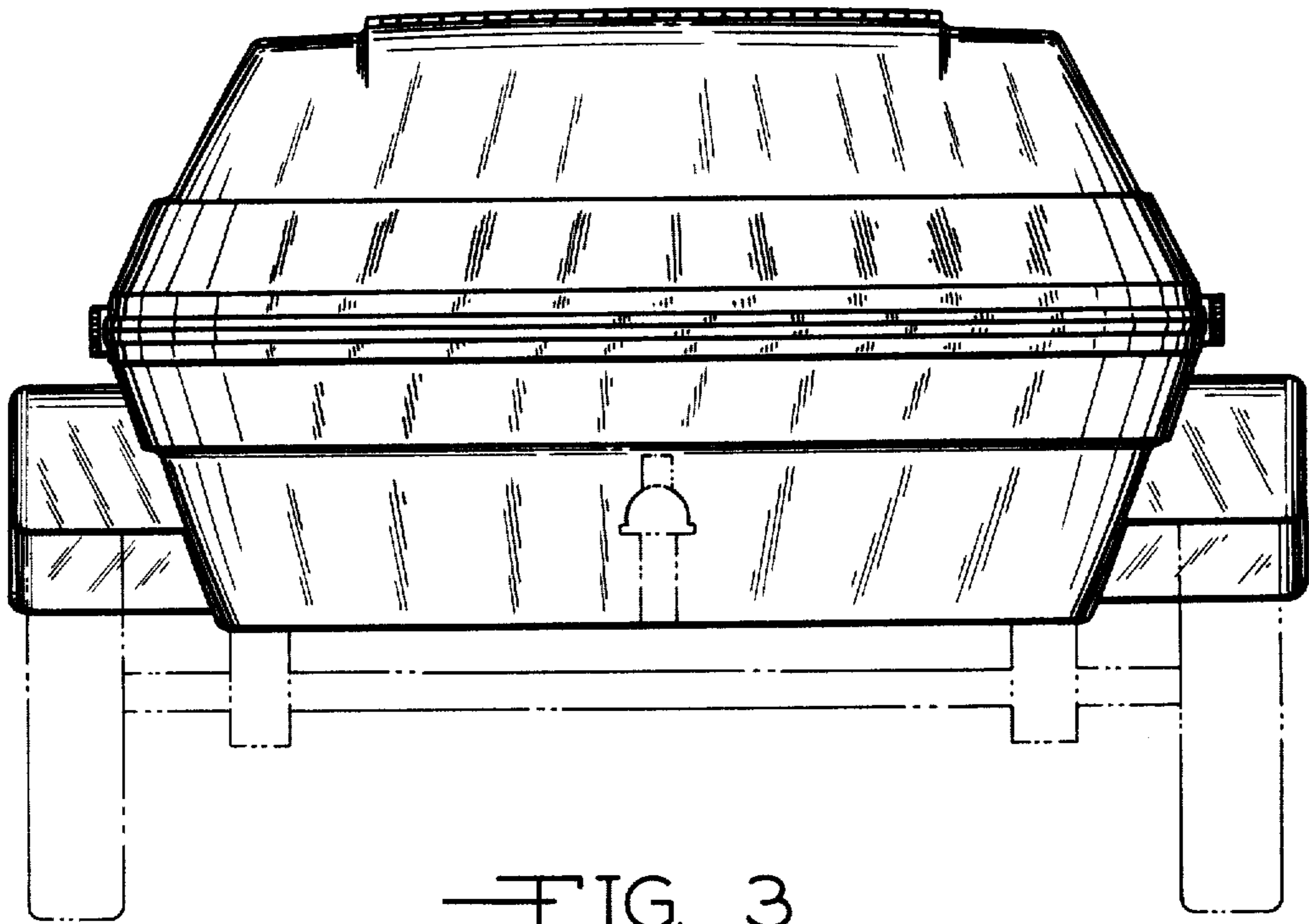
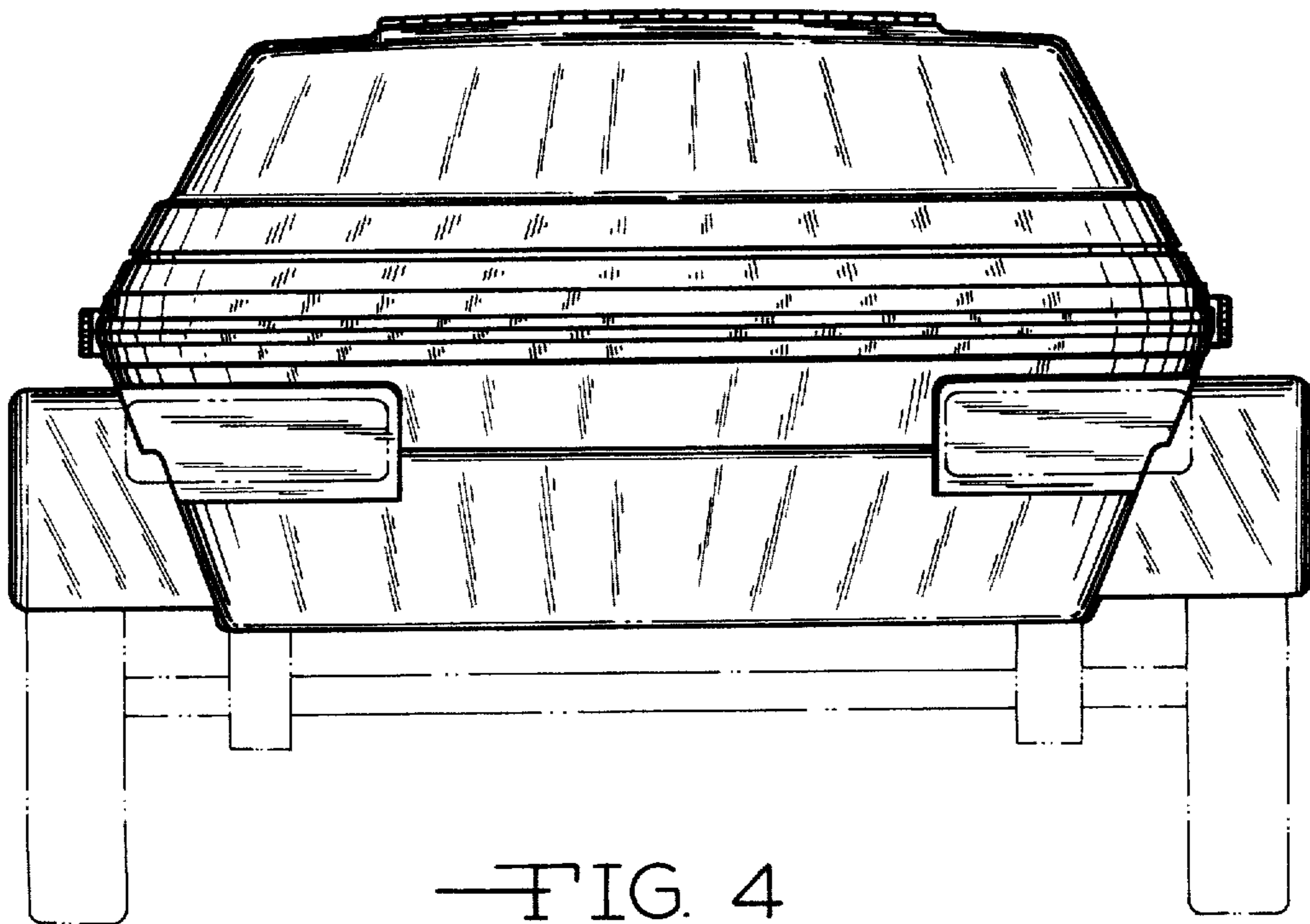


FIG. 2



—FIG. 3



—FIG. 4