

[54] FIREPLACE GRATE

[75] Inventors: Robert D. Hassett, Prospect, Ky.; Robert C. Dew, New Albany, Ind.; Clifford E. Wieting, Louisville, Ky.

[73] Assignee: S & T Industries, Inc., Louisville, Ky.

[**] Term: 14 Years

[21] Appl. No.: 216,551

[22] Filed: Dec. 15, 1980

[51] Int. Cl. D7-08

[52] U.S. Cl. D23/138.5

[58] Field of Search D7/207; 126/152, 163, 126/164, 165, 298

[56] References Cited

U.S. PATENT DOCUMENTS

- 138,885 5/1873 Hall 126/298
- D. 216,261 12/1969 Hamilton D7/207
- 1,273,840 7/1918 Hasset 126/9 B X

- 4,069,808 1/1978 Cranberg 126/164
- 4,140,102 2/1979 Malecki 126/164
- 4,166,447 9/1979 Creim 126/298
- 4,215,671 8/1980 Nadolsky 126/164

FOREIGN PATENT DOCUMENTS

25413 of 1898 United Kingdom 126/152 R

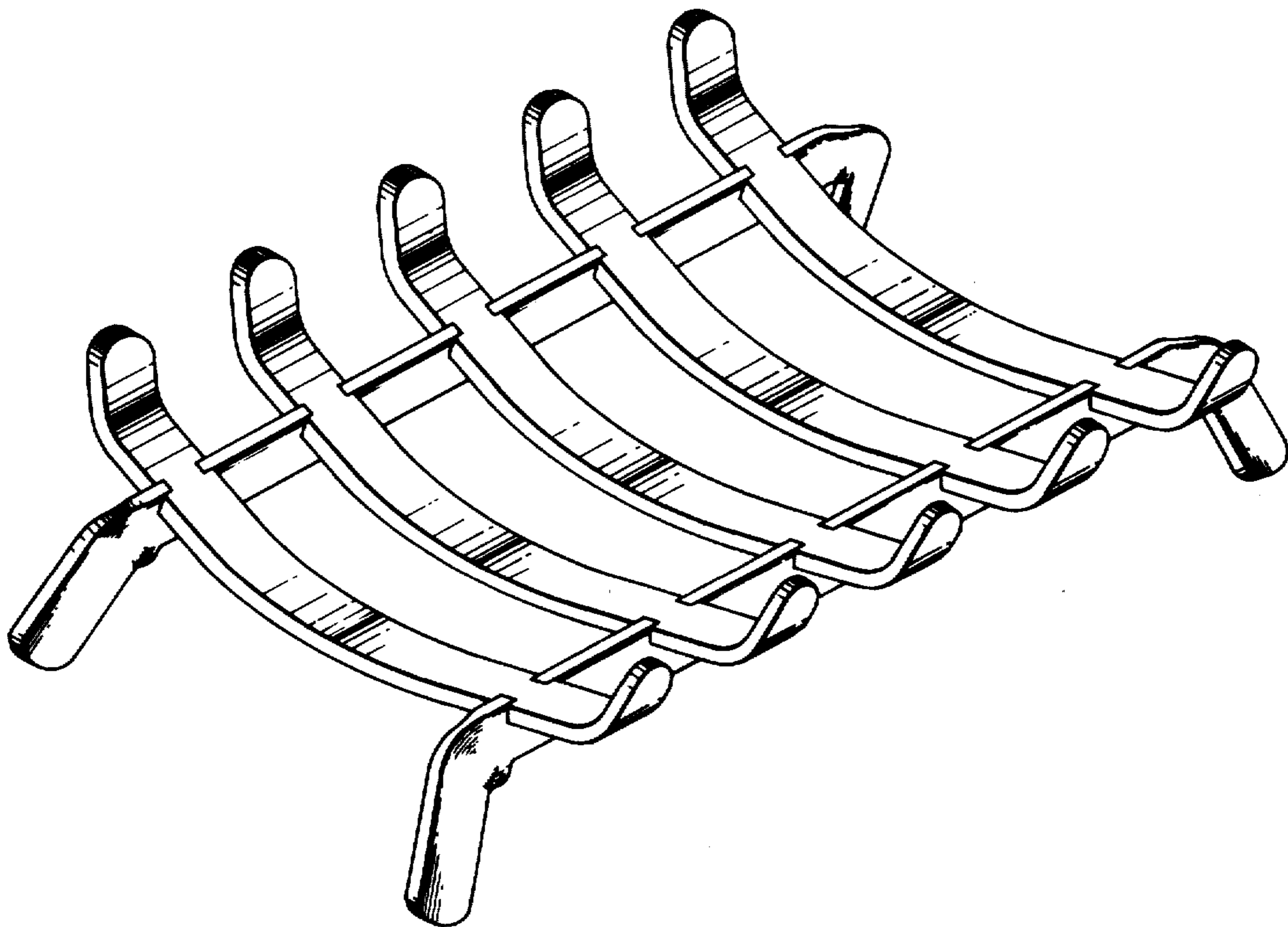
Primary Examiner—Catherine E. Kemper
Attorney, Agent, or Firm—Maurice L. Miller, Jr.

[57] CLAIM

The ornamental design for a fireplace grate, as shown and described.

DESCRIPTION

FIG. 1 is a top plan view of a fireplace grate, showing my new design;
FIG. 2 is an end elevational view thereof;
FIG. 3 is a perspective view thereof;
FIG. 4 is a fragmentary perspective view showing the manner in which the log supporting members are joined to the support legs.



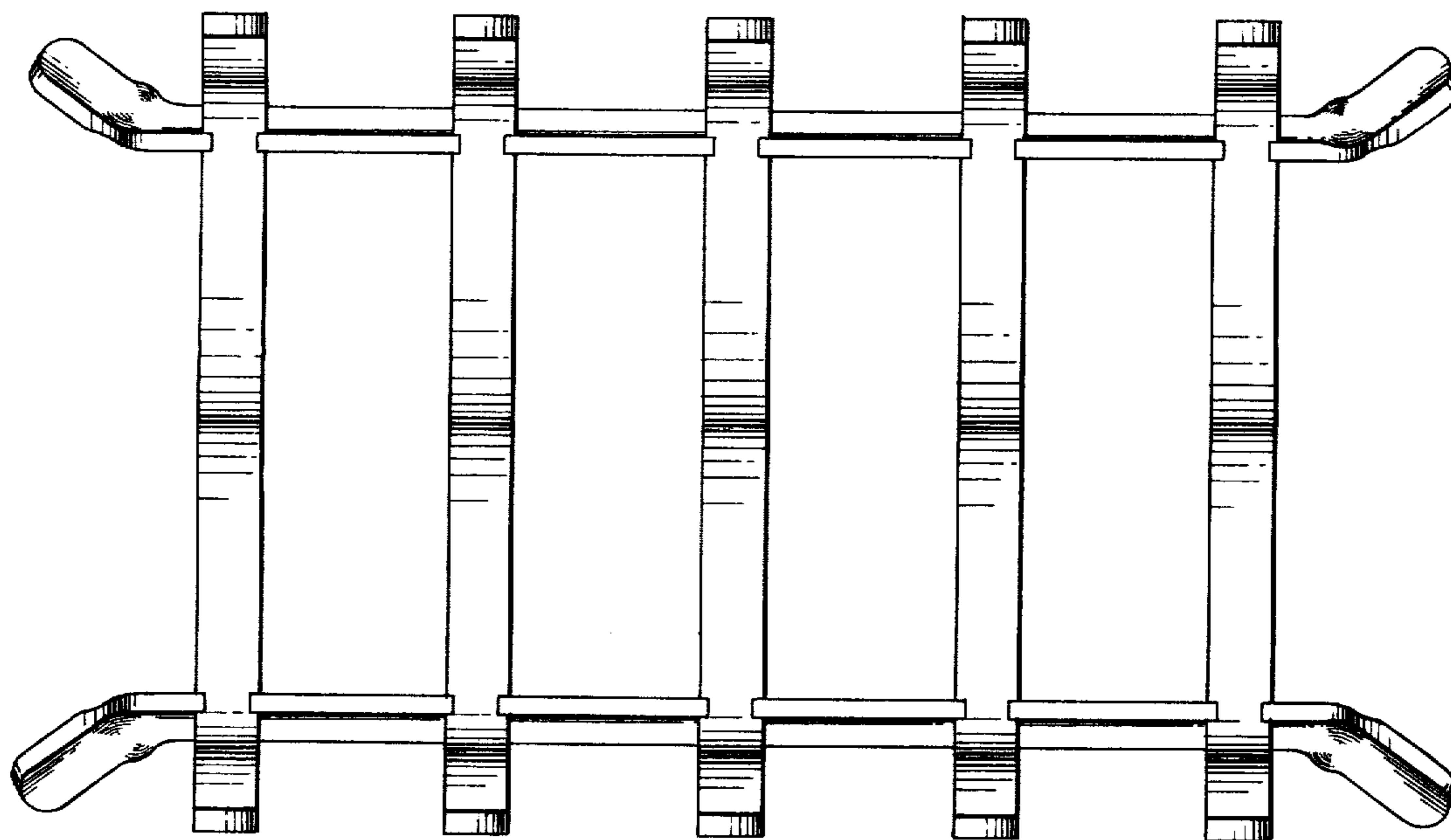


FIG. 1

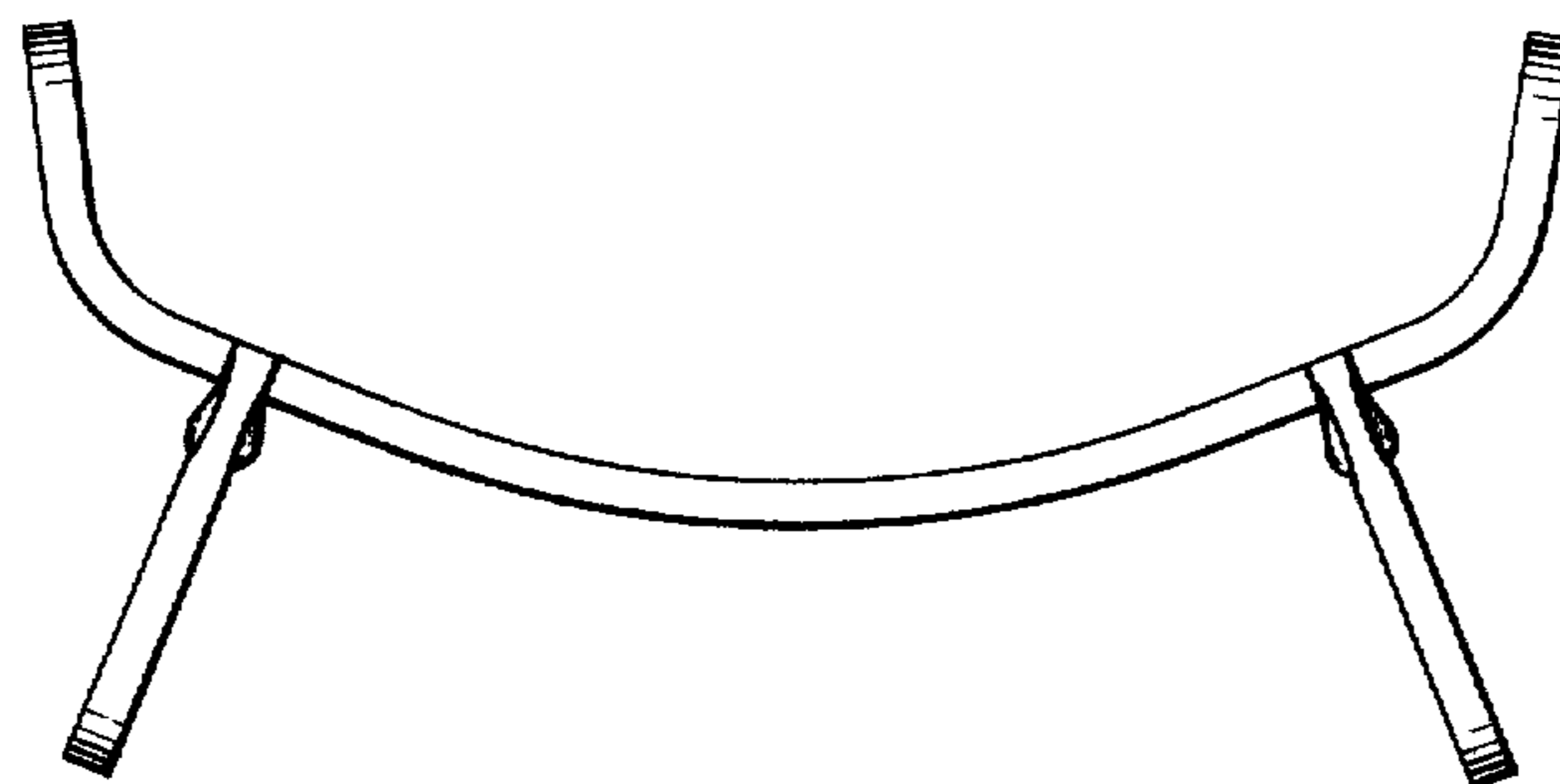


FIG. 2

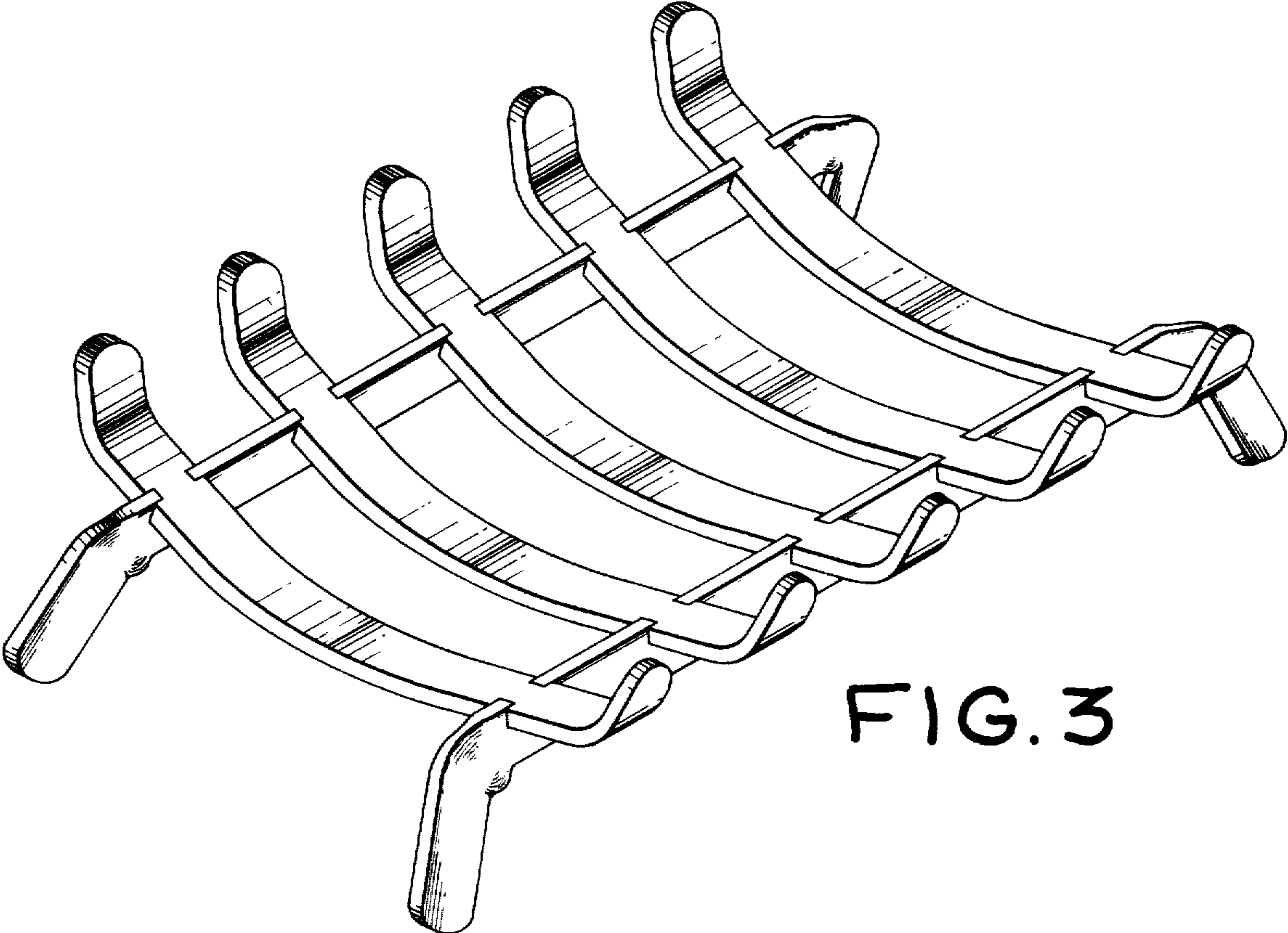


FIG. 3

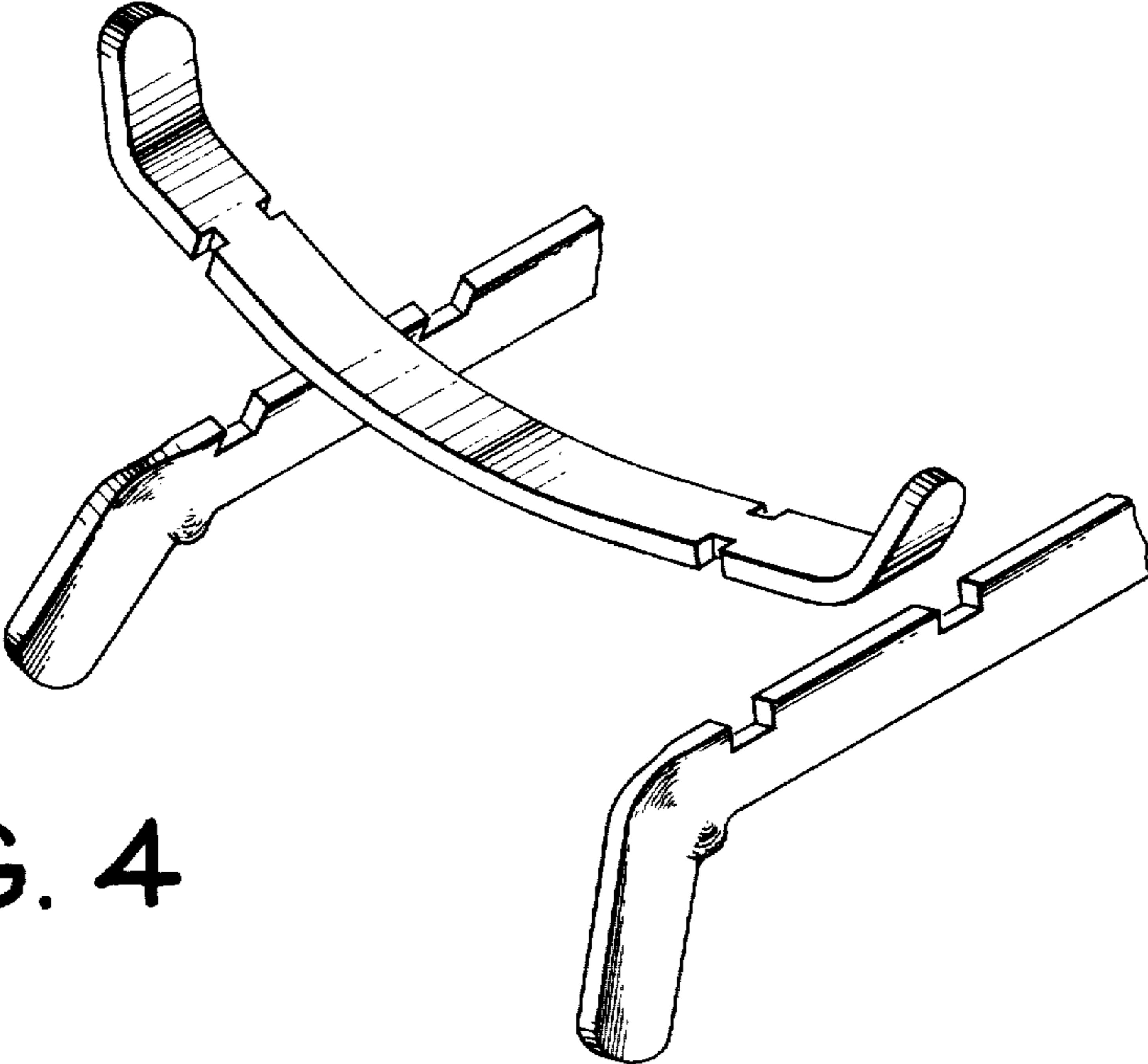


FIG. 4