

[54] **MAGNETIC RACK FOR POT HOLDERS**

[75] Inventors: **Ruediger Einhorn, Katonah; Lee R. Chasen, Port Chester, both of N.Y.**

[73] Assignee: **Coats & Clark, Inc., Stamford, Conn.**

[**] Term: **14 Years**

[21] Appl. No.: **197,636**

[22] Filed: **Oct. 16, 1980**

[51] Int. Cl. **D6-06; D11-02**

[52] U.S. Cl. **D6/114; D6/151; D11/133**

[58] Field of Search **D6/114, 120, 122, 157, D6/152, 151; D8/367, 370-373; 211/87; 248/301, 303, 304, 309 R, 206 R, 206 A; D11/133**

[56] **References Cited**
U.S. PATENT DOCUMENTS
 D. 52,485 9/1918 Lemke D6/114

D. 72,129 3/1927 Arnett et al. D6/114
 D. 132,298 5/1942 Jorgensen D6/114
 D. 148,738 3/1948 Wild D6/114
 D. 167,879 10/1952 Buchanan D6/114

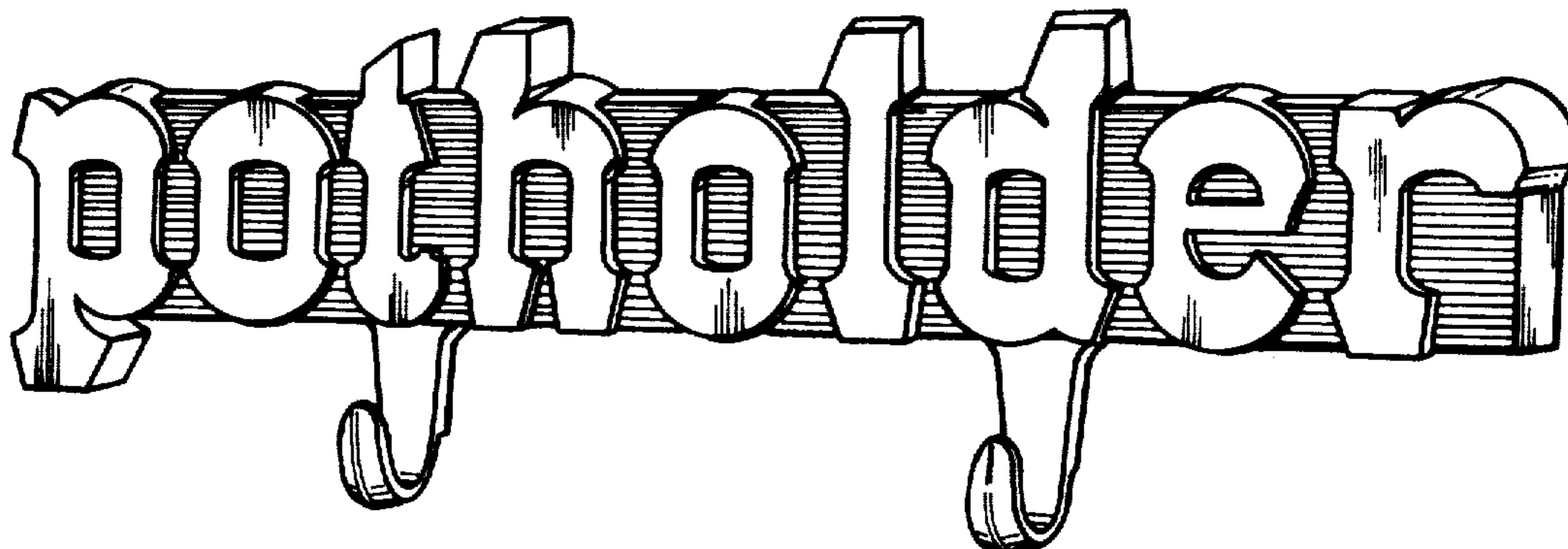
Primary Examiner—B. J. Bullock
Attorney, Agent, or Firm—Burgess, Ryan and Wayne

[57] **CLAIM**

The ornamental design for a magnetic rack for pot holders, substantially as shown and described.

DESCRIPTION

FIG. 1 is a reduced perspective view of a magnetic rack for potholders showing our new design;
 FIG. 2 is a front elevational view thereof;
 FIG. 3 is a rear elevational view thereof;
 FIG. 4 is a side elevational view taken from the left side of FIG. 2;
 FIG. 5 is a side elevational view taken from the right side of FIG. 2;
 FIG. 6 is a top plan view thereof; and
 FIG. 7 is a bottom plan view thereof.



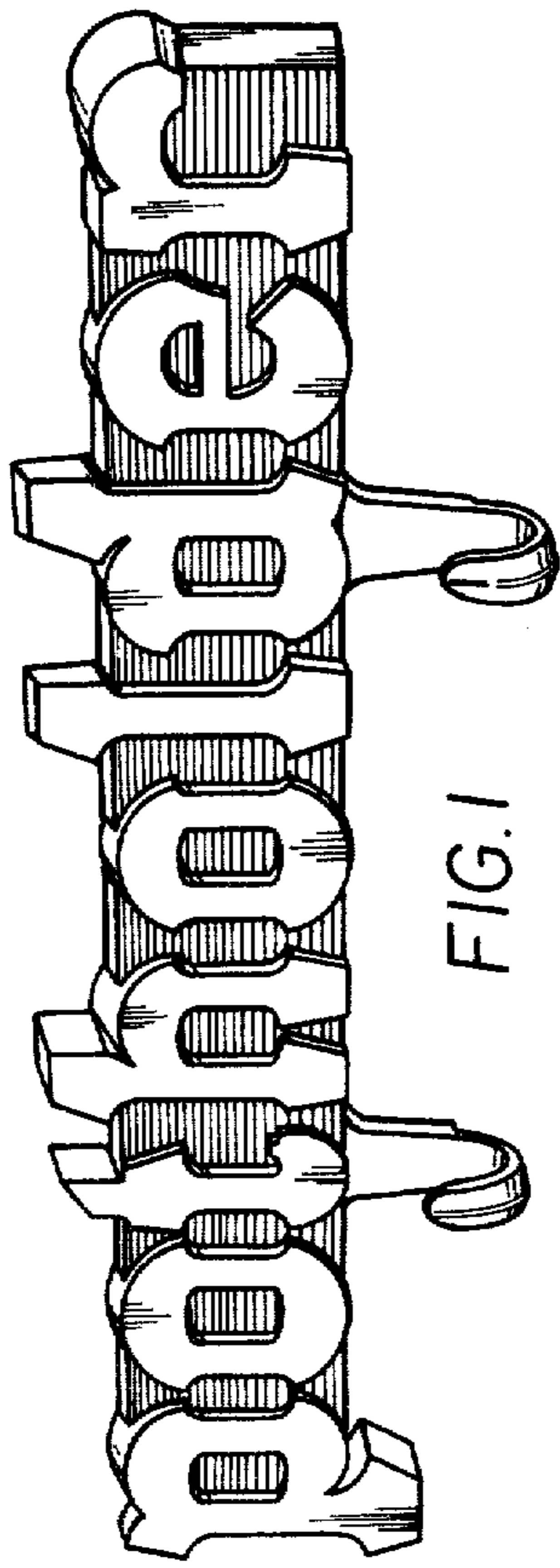


FIG. 1

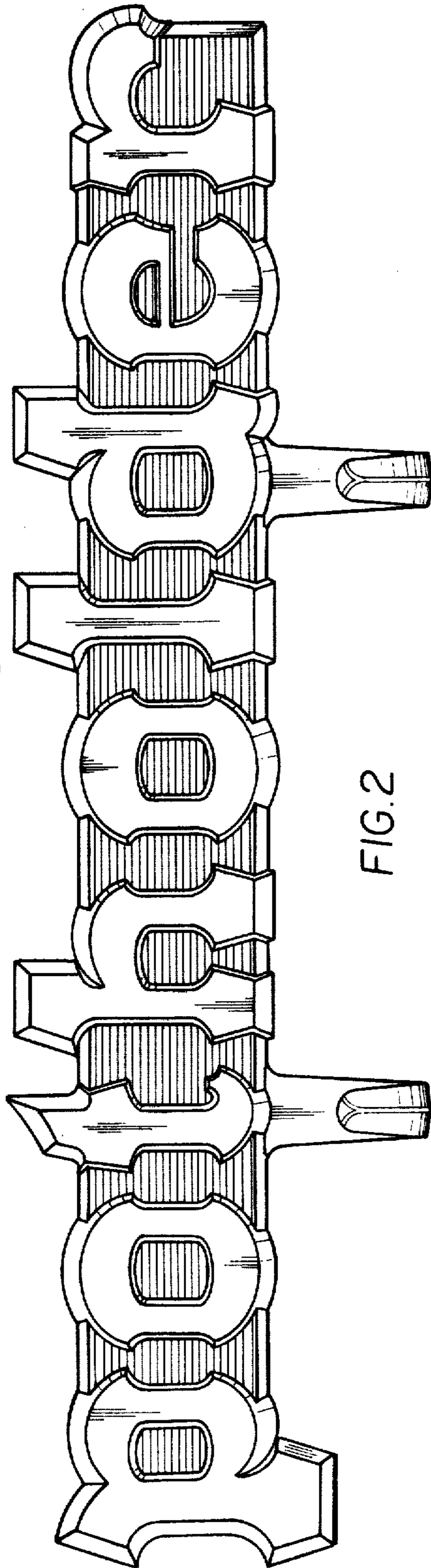


FIG. 2

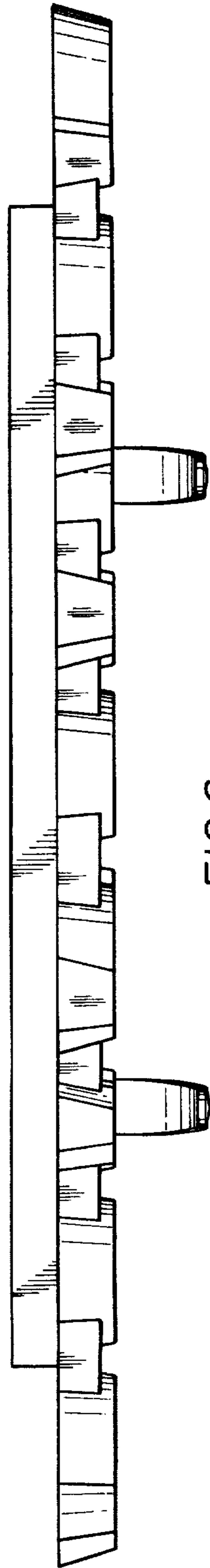


FIG. 6

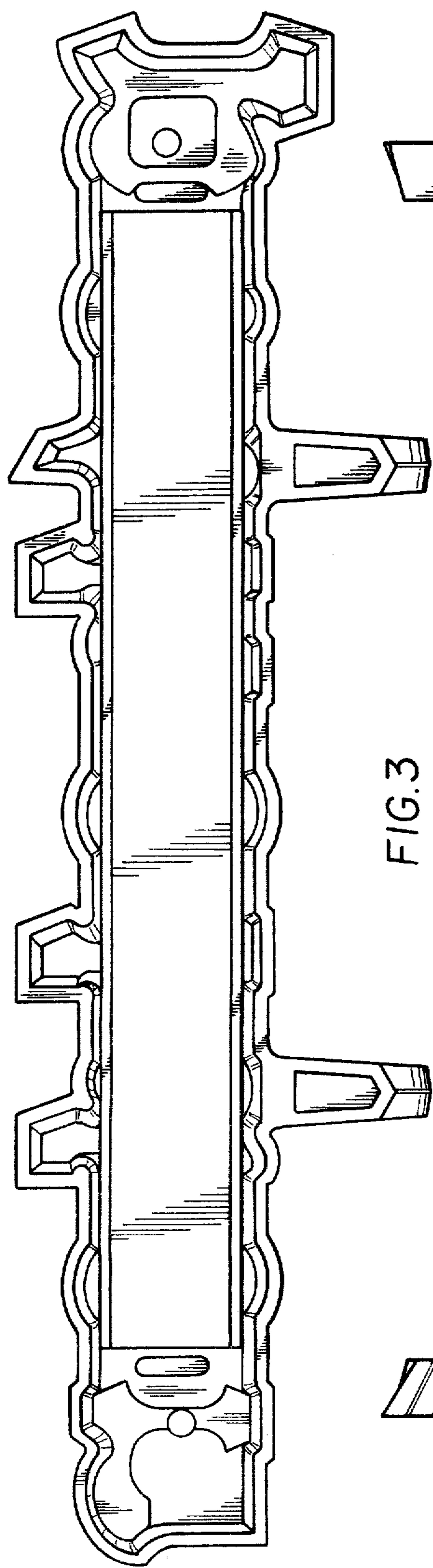


FIG. 3

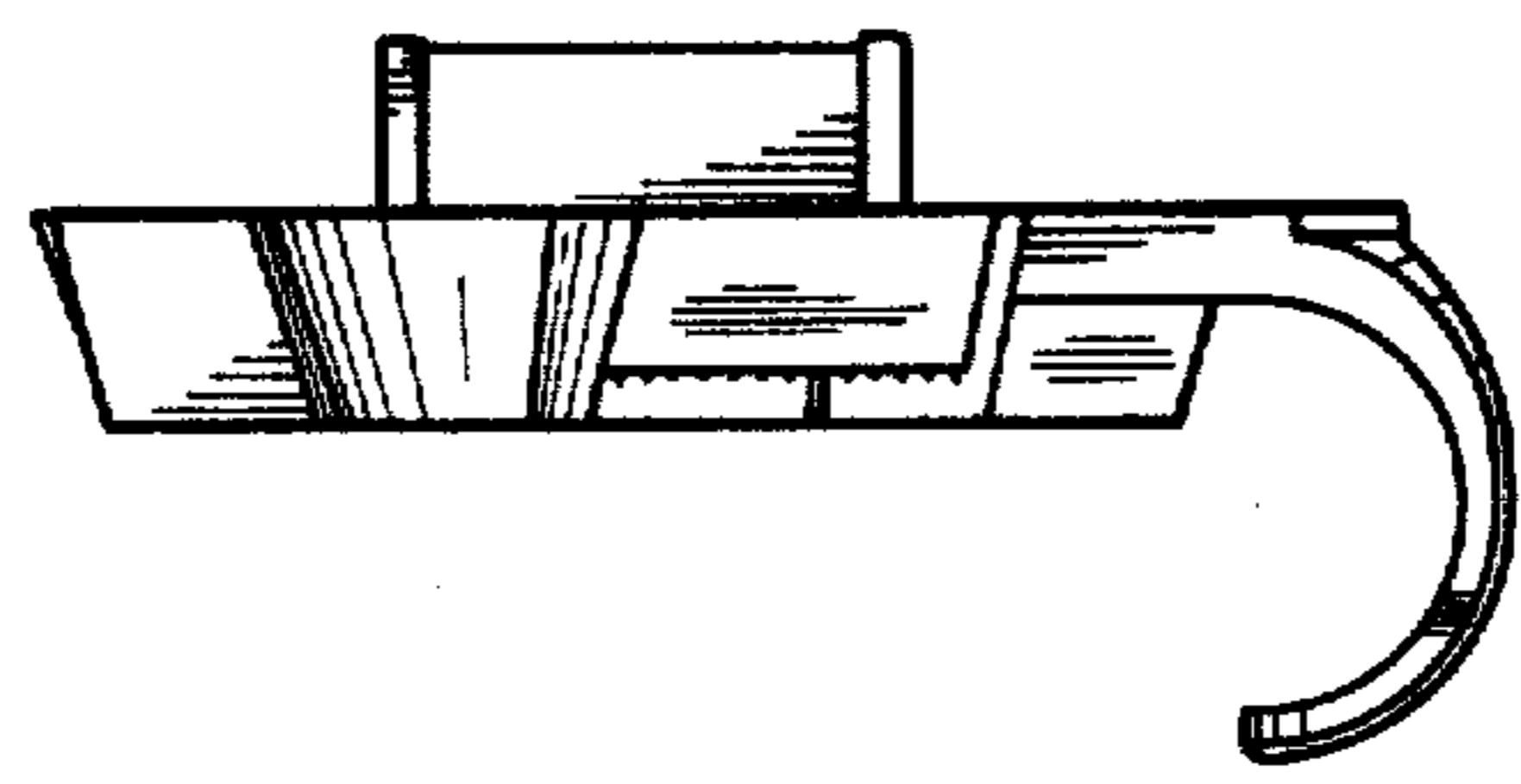


FIG. 4

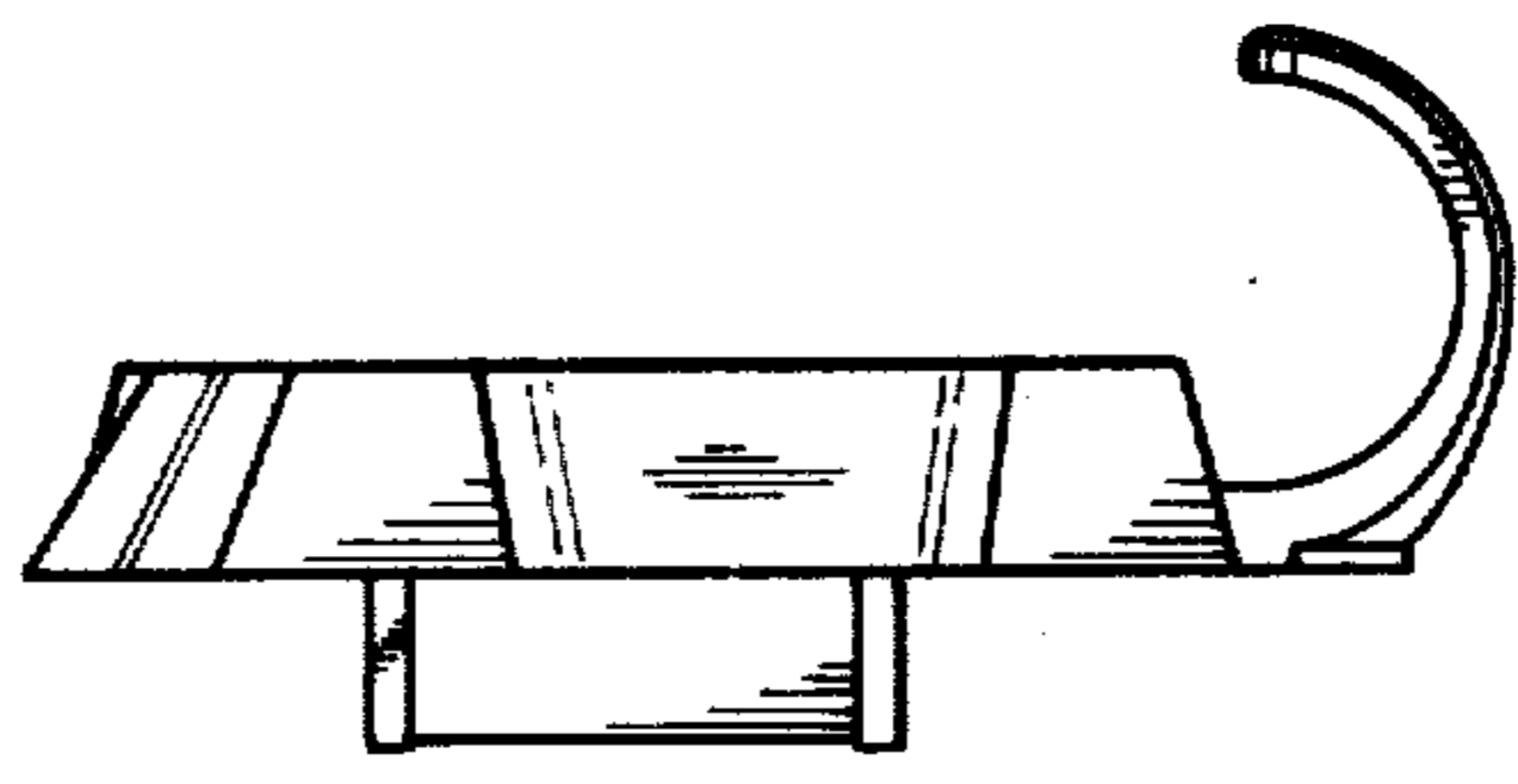


FIG. 5

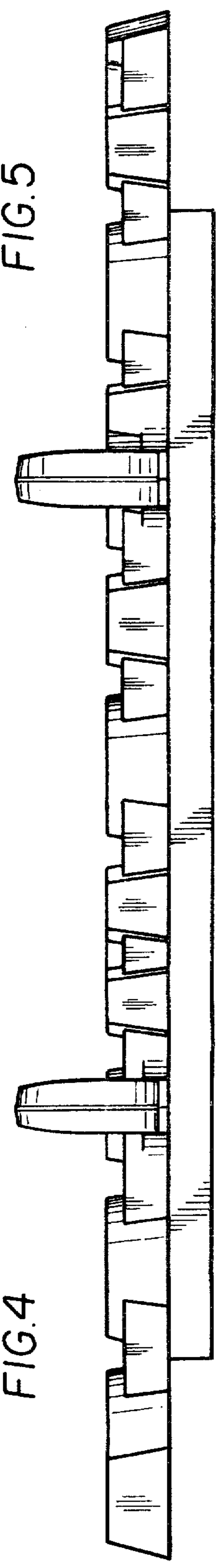


FIG. 7