

[54] SHOWER STOOL OR SIMILAR ARTICLE

[76] Inventor: Roy C. Farrell, Herring Bldg. #400, Vernon, Tex. 76384

[**] Term: 14 Years

[21] Appl. No.: 141,772

[22] Filed: Apr. 21, 1980

[51] Int. Cl. D6-01

[52] U.S. Cl. D6/55; D6/32; D6/145; D6/176

[58] Field of Search D6/27, 55, 145, 175, D6/176, 177, 178, 179, 32-36

[56] References Cited

U.S. PATENT DOCUMENTS

2,710,733 6/1955 Phillips D6/176 X

OTHER PUBLICATIONS

Furniture Retailer, Jun. 1958, p. 57, Triangular Tables, top center.

Primary Examiner—Bruce W. Dunkins

Attorney, Agent, or Firm—Wofford, Fails & Zobal

[57] CLAIM

The ornamental design for a shower stool or similar article, as shown.

DESCRIPTION

FIG. 1 is an isometric view showing the front and top of my new shower stool or similar article;

FIG. 2 is an isometric view showing the bottom and right hand side thereof;

FIG. 3 is a side elevation view showing the left side thereof.

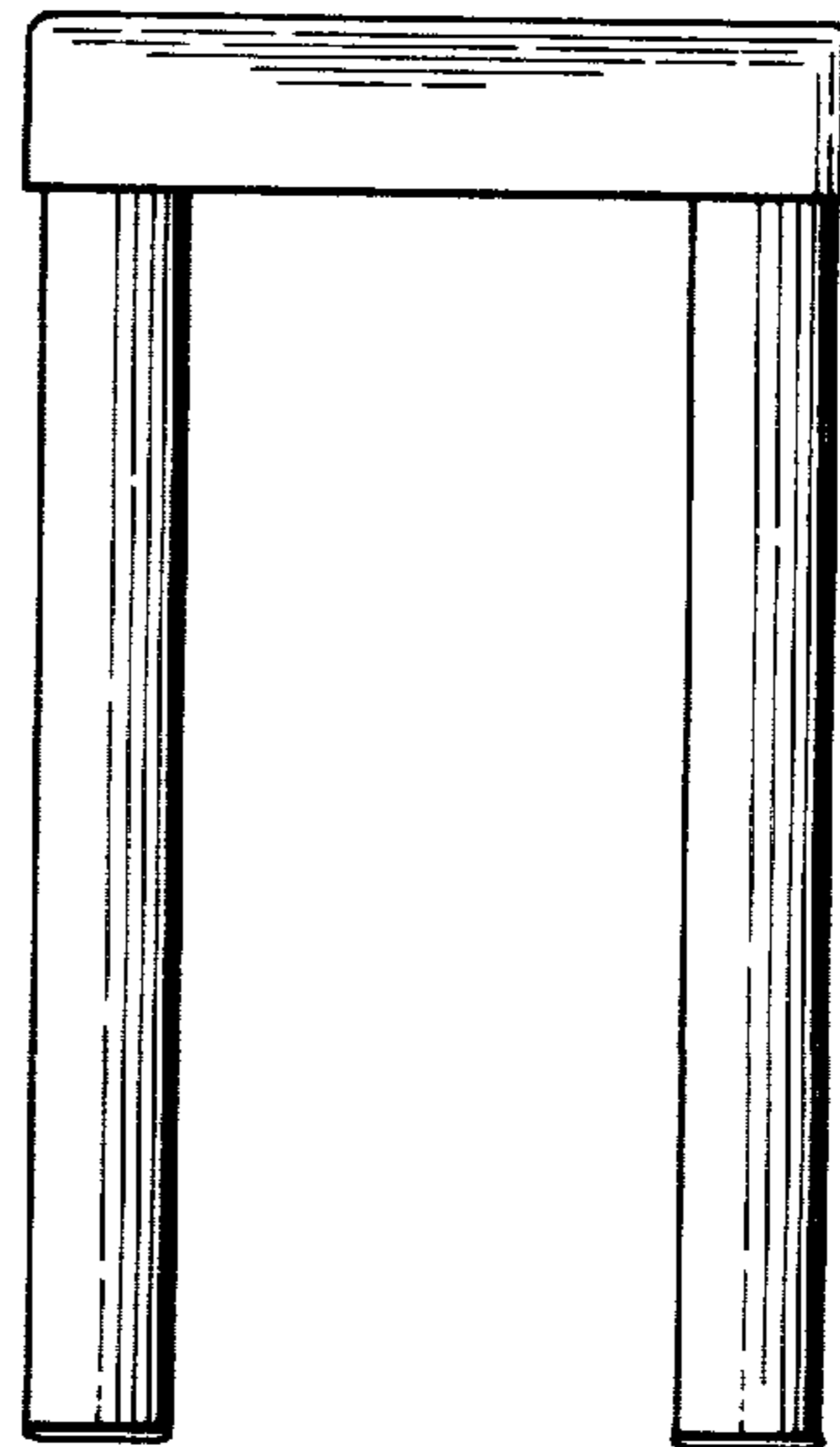
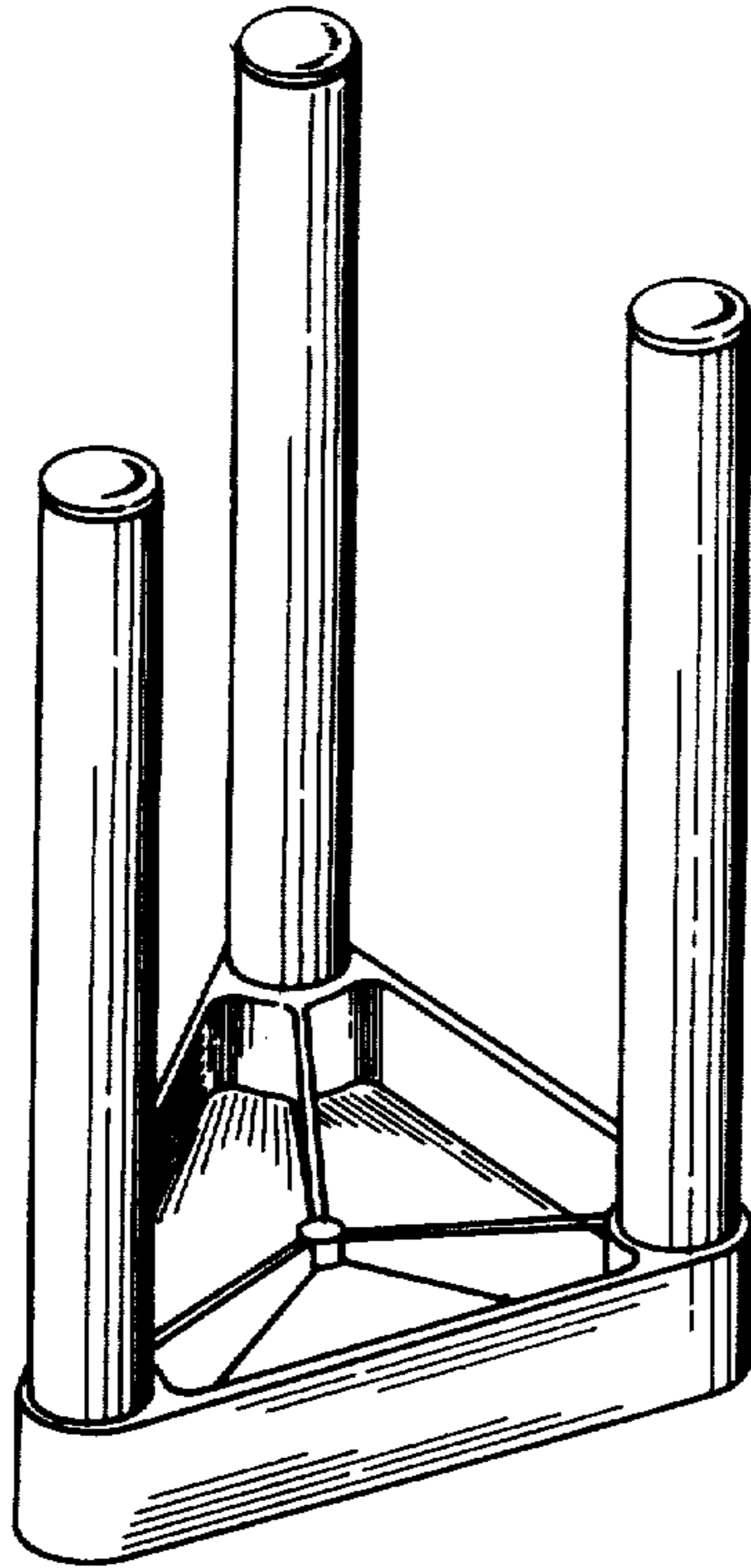


Fig. 1

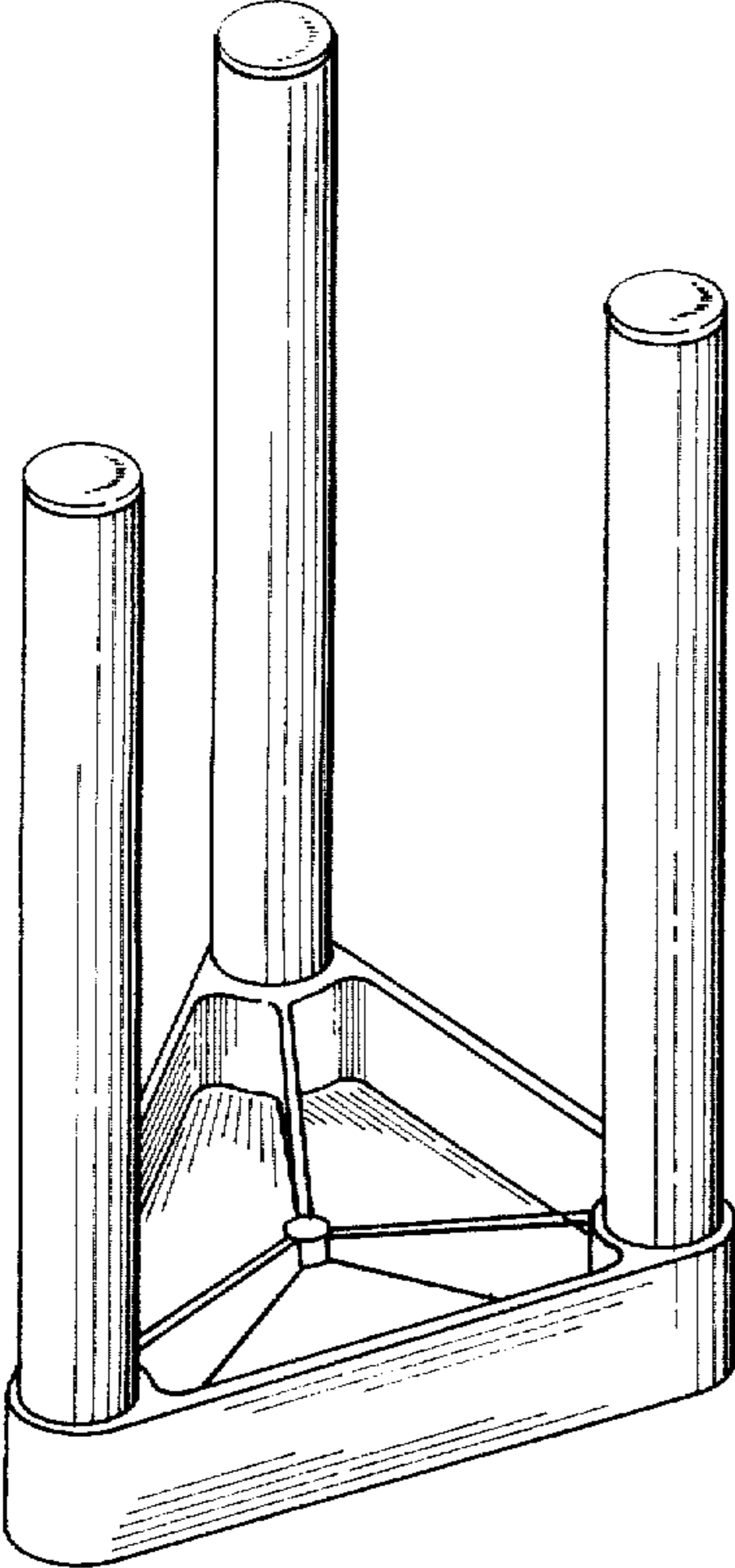
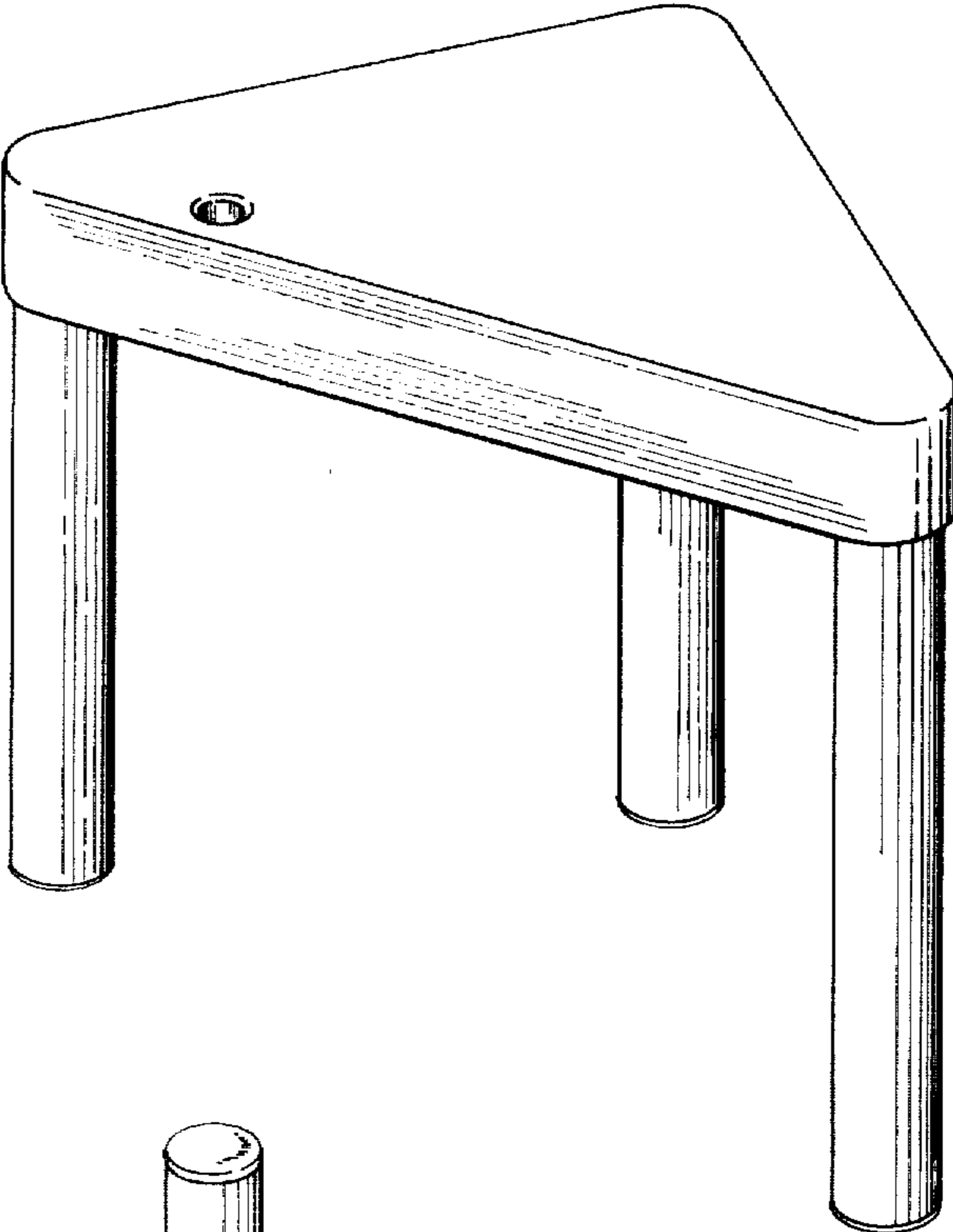


Fig. 2

Fig. 3

