

[54] **SNOWMAN HAT CONTAINER**

[76] **Inventor:** **Brian P. Schwuchow**, 2110 W. 3rd. St., Hobart, Ind. 46342

[\*\*] **Term:** **14 Years**

[21] **Appl. No.:** **228,287**

[22] **Filed:** **Jan. 26, 1981**

[51] **Int. Cl.** ..... **D3—02**  
[52] **U.S. Cl.** ..... **D3/66; D9/320**  
[58] **Field of Search** ..... **D2/257, 230; 46/11;**  
**D3/30.1, 44, 66; D9/320; 206/575, 579,**  
**216**

[56]

**References Cited**

**U.S. PATENT DOCUMENTS**

D. 233,640	11/1974	Arnold	.....	D9/320
2,083,000	6/1937	Bennard	.....	46/11
2,484,776	10/1949	Zent et al.	.....	46/11
3,660,926	5/1972	Lerner	.....	46/11
3,815,281	6/1974	Kander	.....	46/11

*Primary Examiner*—George P. Word  
*Attorney, Agent, or Firm*—Walter Leuca

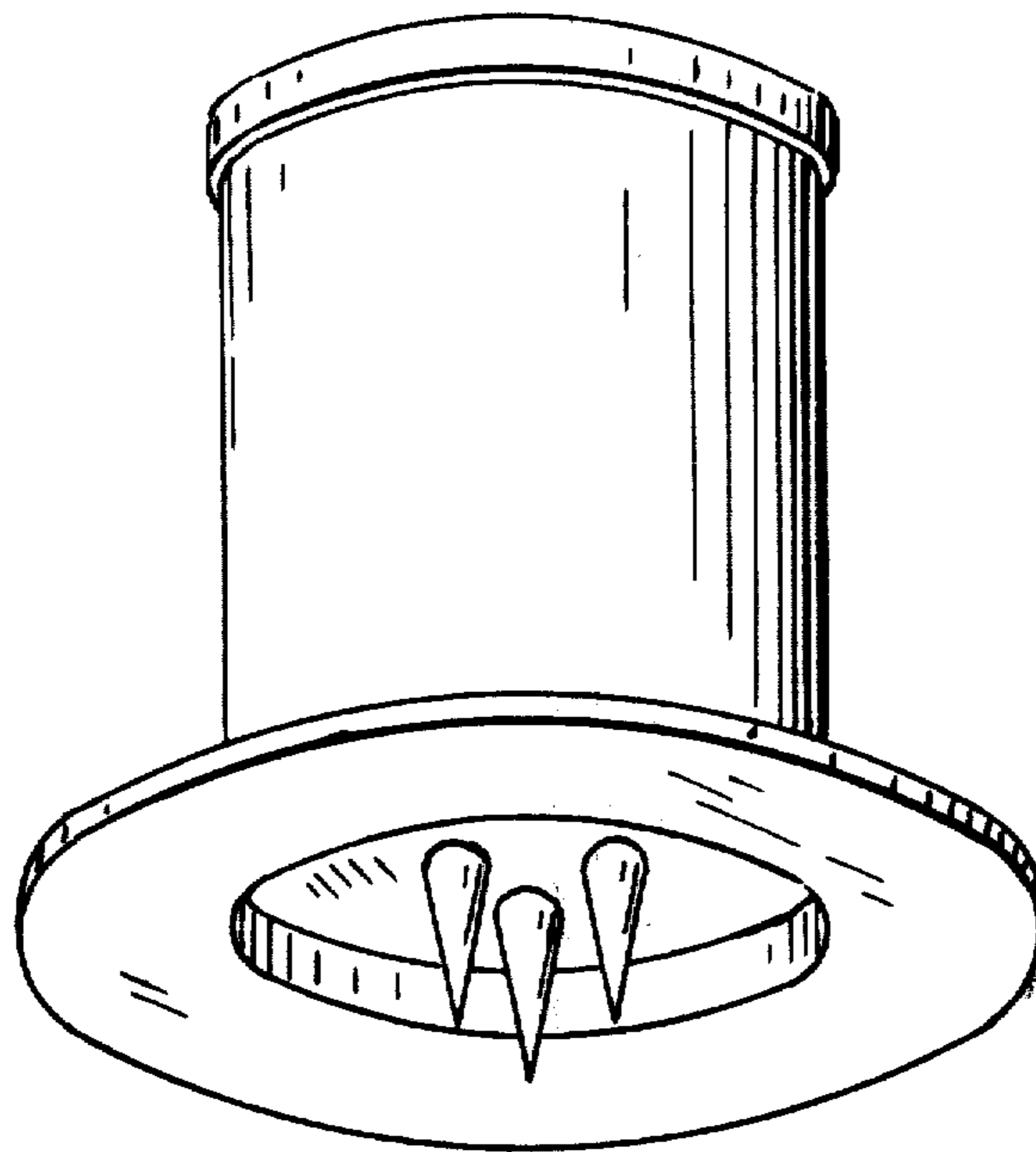
[57]

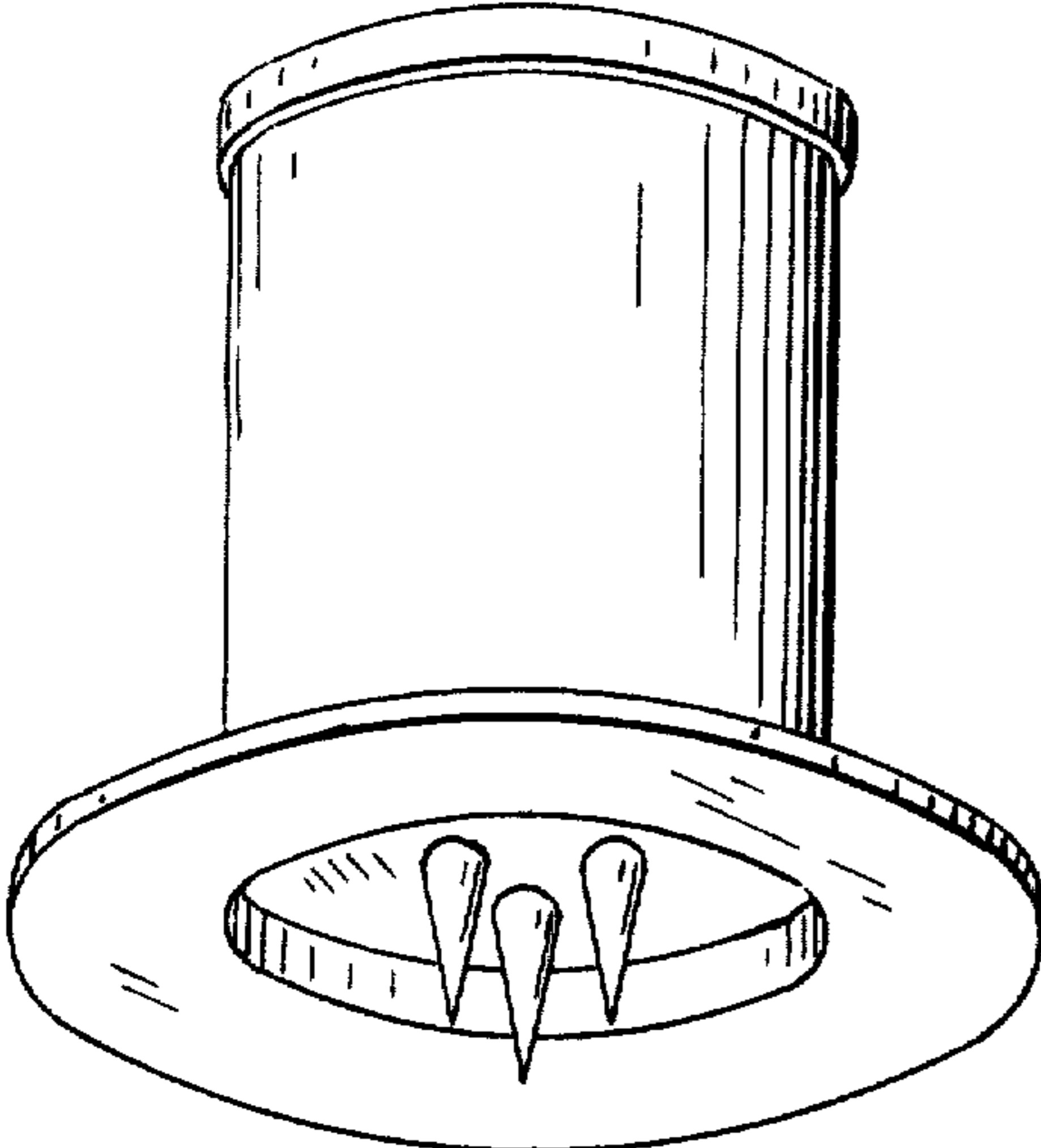
**CLAIM**

The ornamental design for a snowman hat container, substantially as shown.

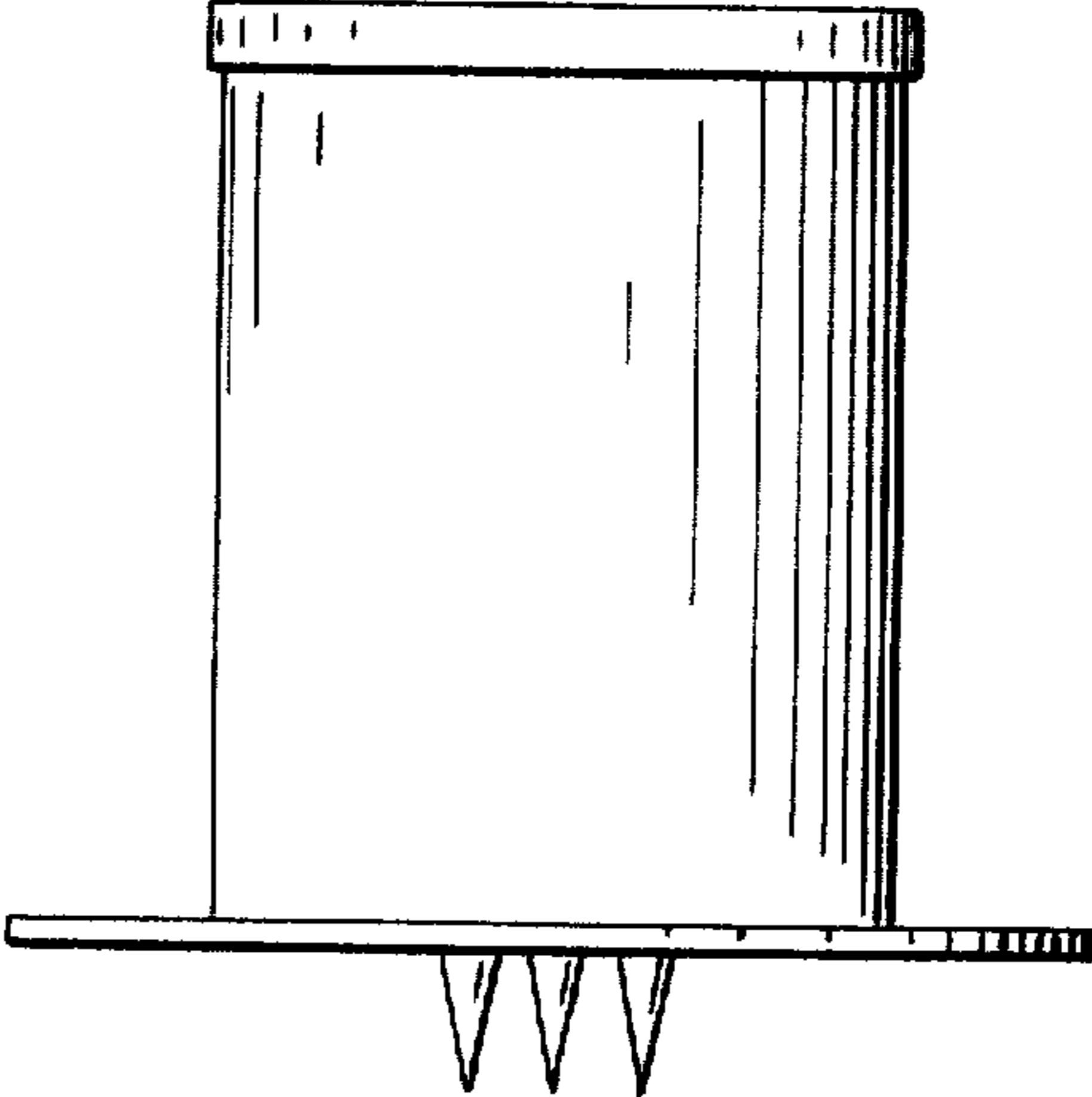
**DESCRIPTION**

FIG. 1 is a perspective view of a snowman hat container showing my new design;  
FIG. 2 is a side elevational view thereof;  
FIG. 3 is a top plan view thereof; and  
FIG. 4 is a bottom plan view thereof.

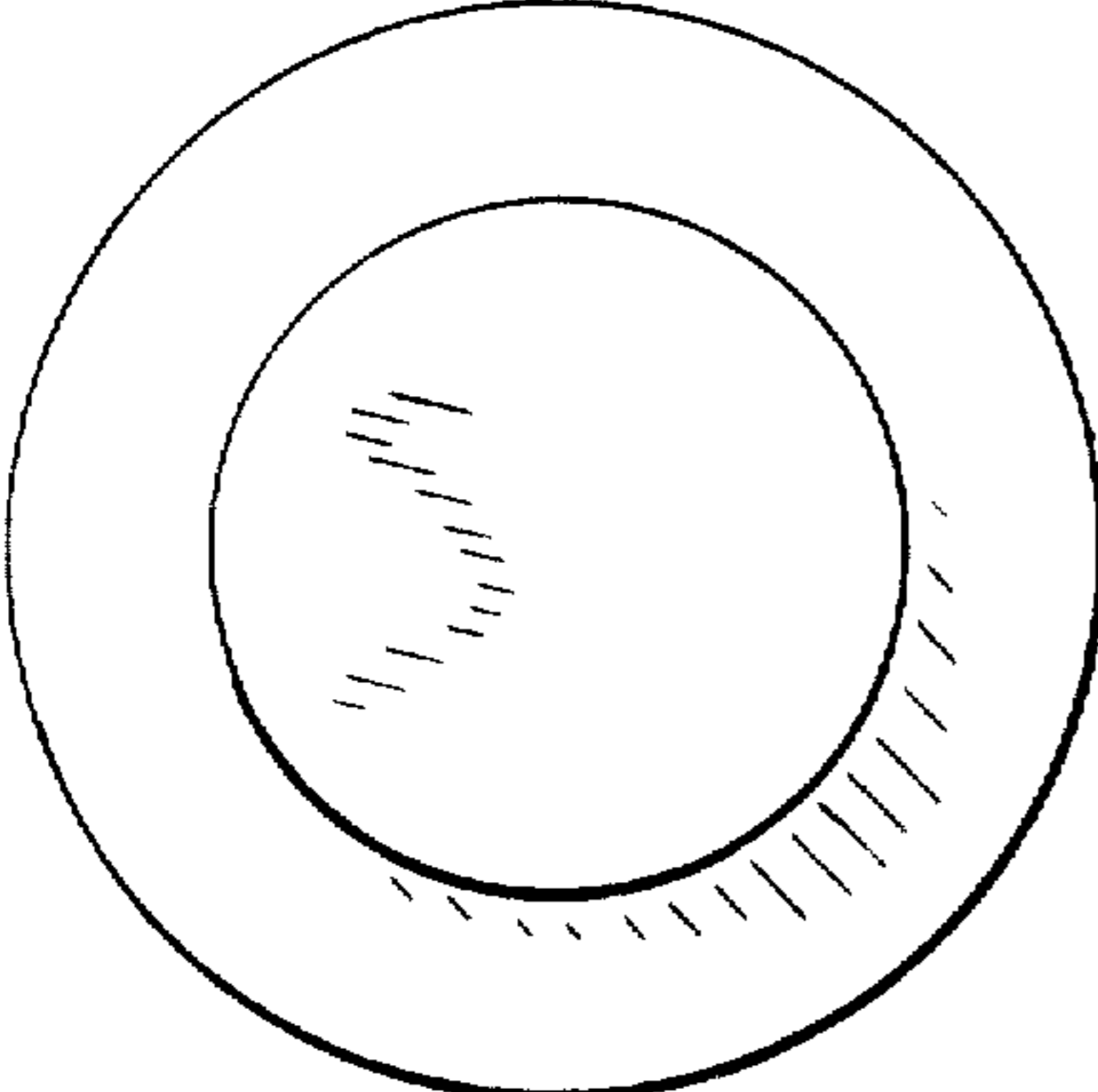




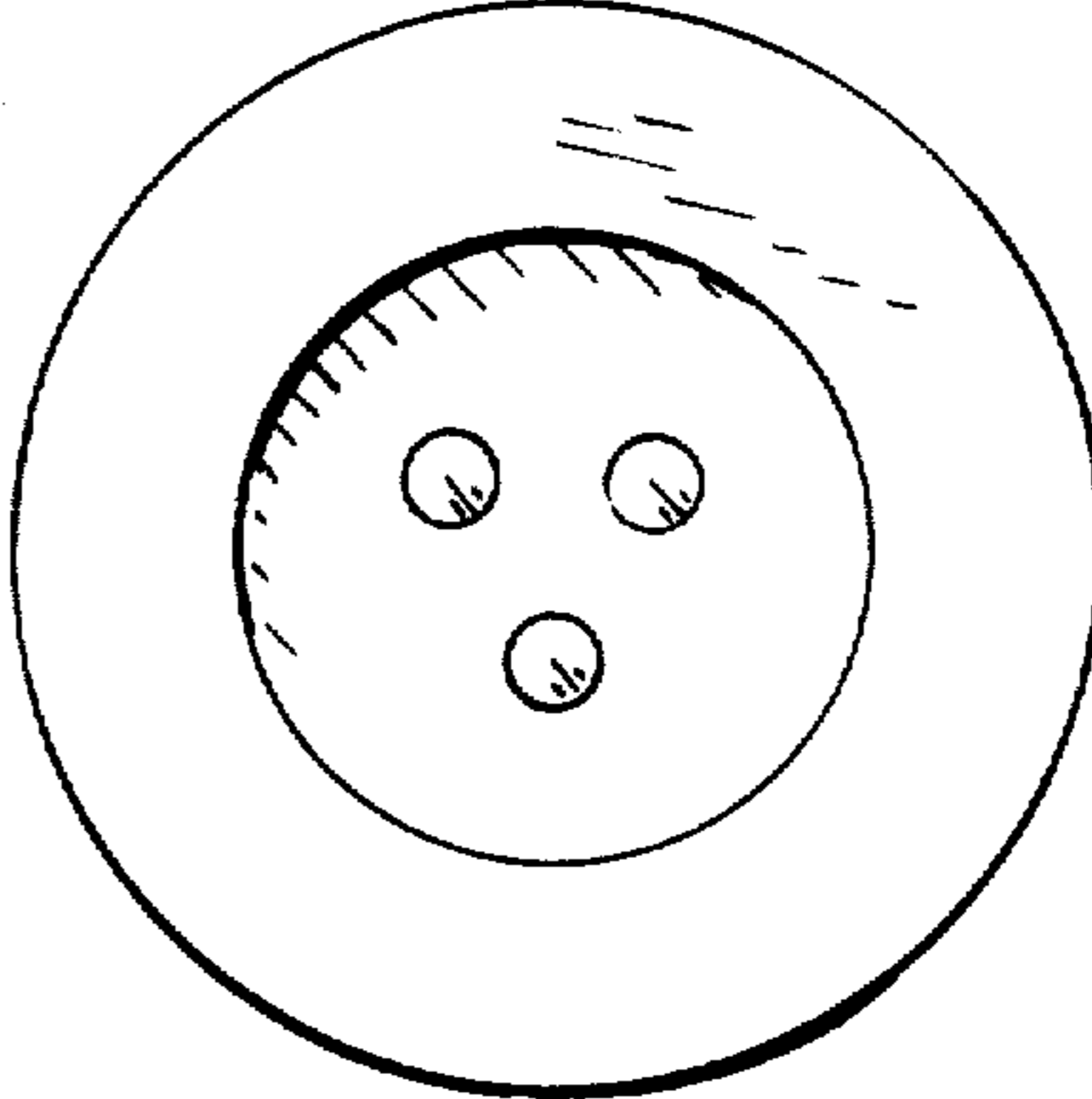
*Fig.-1*



*Fig.-2*



*Fig.-3*



*Fig.-4*