

[54] TWIN LOCK KEY RING

[76] Inventor: Hanns W. Beier, 26 Clove Brook Rd., Valhalla, N.Y. 10595

[**] Term: 7 Years

[21] Appl. No.: 215,242

[22] Filed: Dec. 11, 1980

[51] Int. Cl. D3-01

[52] U.S. Cl. D3/61

[58] Field of Search D3/61-65;
70/456 R, 456 B, 458; 24/3 K; 150/40

[56] References Cited

U.S. PATENT DOCUMENTS

- D. 213,253 1/1969 Moore D3/61
- 3,908,418 9/1975 Stoffel 70/457
- 4,164,132 8/1979 Loman D3/61

FOREIGN PATENT DOCUMENTS

- WO79/00703 9/1979 PCT Int'l Appl. D3/61

Primary Examiner—George P. Word

[57] CLAIM

The ornamental design for a twin lock key ring, as shown and described.

DESCRIPTION

FIG. 1 is a rear elevational view of a twin lock key ring showing my new design with its components in the open condition;
FIG. 2 is a front elevational view of the design in the condition shown in FIG. 1;
FIG. 3 is a top cross-sectional view of the design in the condition shown in FIG. 1, taken substantially along the line 3—3 of FIG. 2;
FIG. 4 is a cross-sectional view of the design in the condition shown in FIG. 1, taken substantially along the line 4—4 of FIG. 2;
FIG. 5 is a left side elevational view of FIG. 1, the opposite side being a mirror image thereof;
FIG. 6 is a front elevational view of the design, with its components being shown in closed condition;
FIG. 7 is a right side elevational view thereof;
FIG. 8 is a top plan view thereof;
FIG. 9 is a rear elevational view thereof; and
FIG. 10 is a bottom plan view thereof.

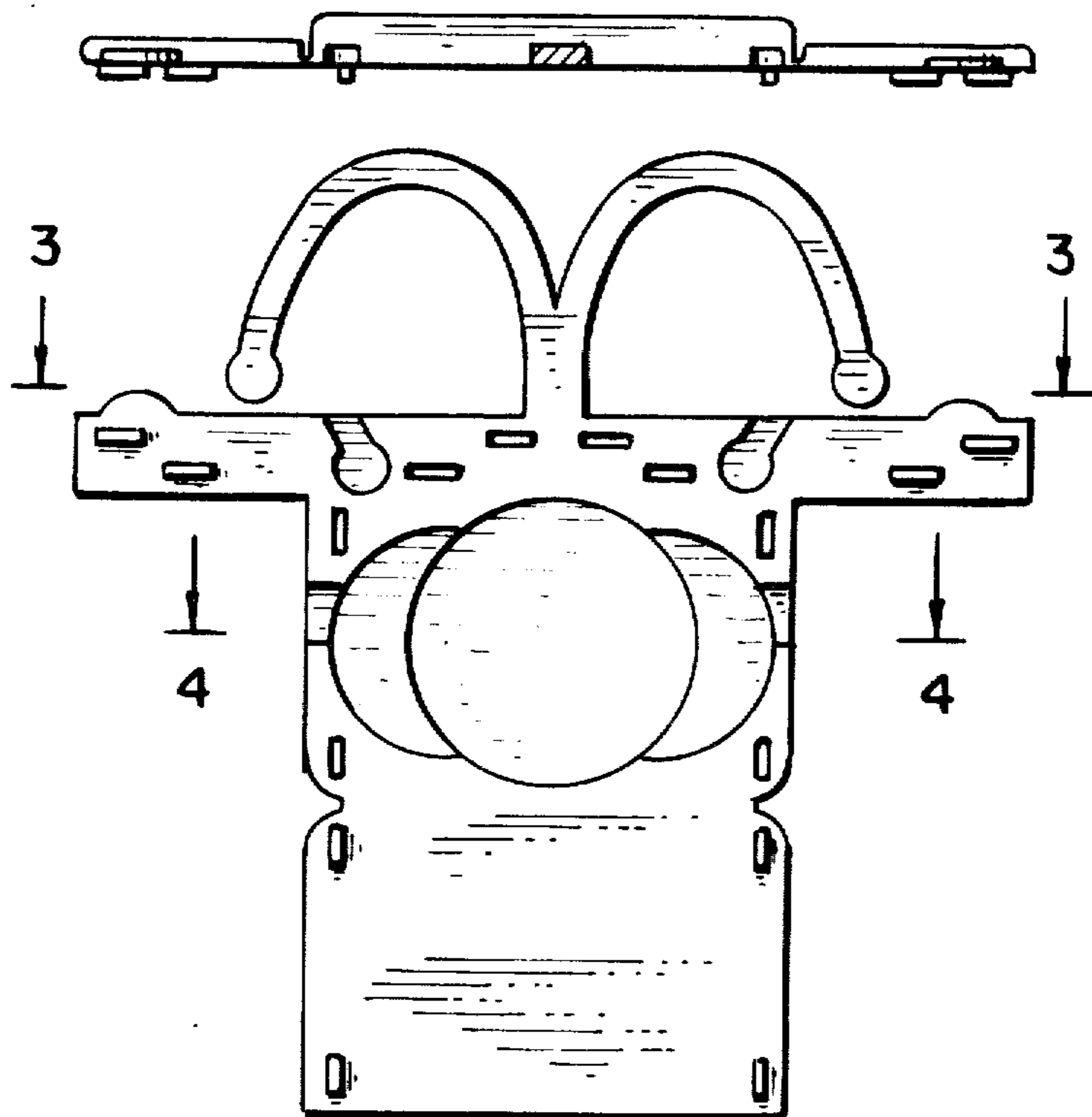


FIG. 1

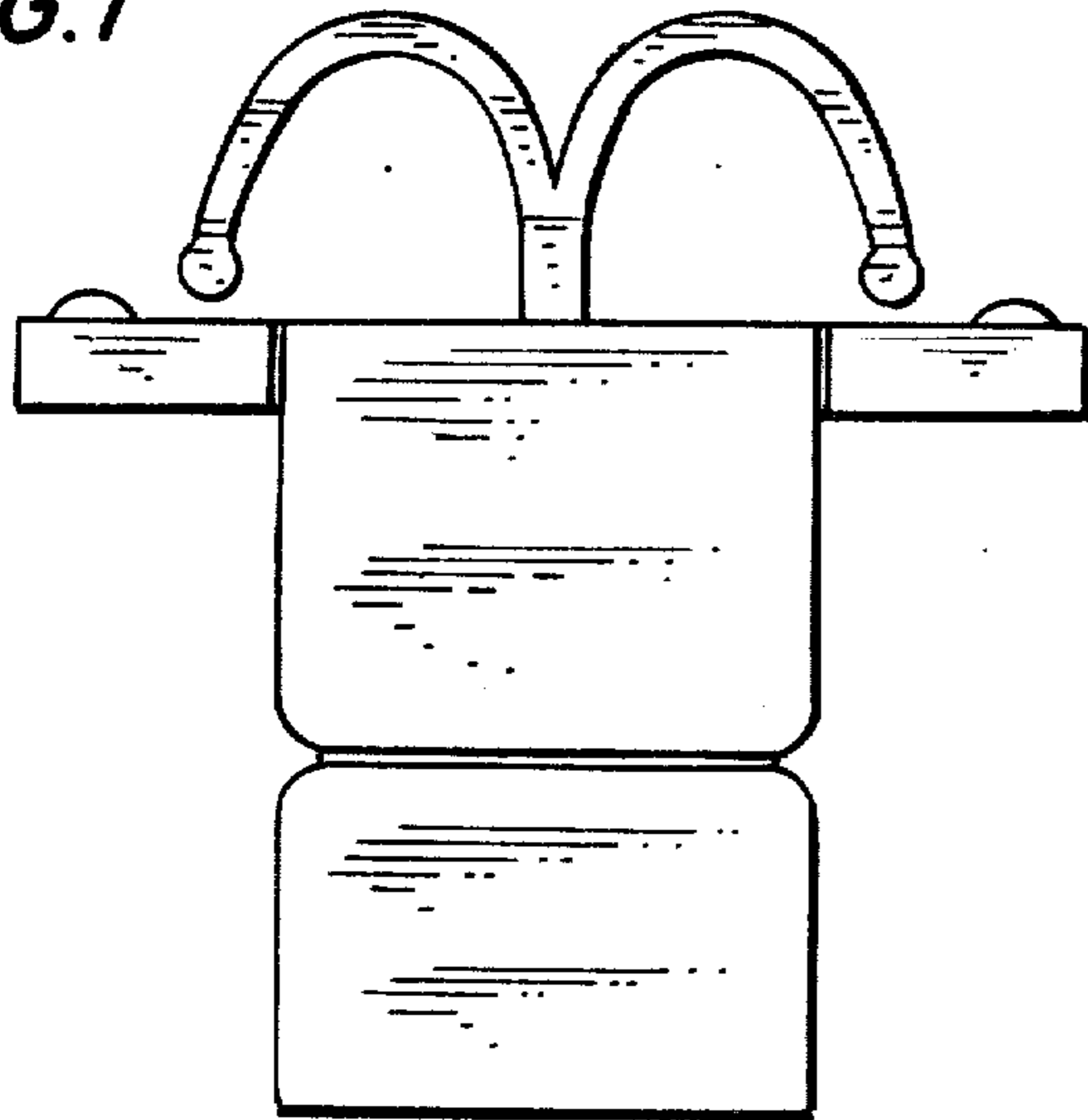


FIG. 3

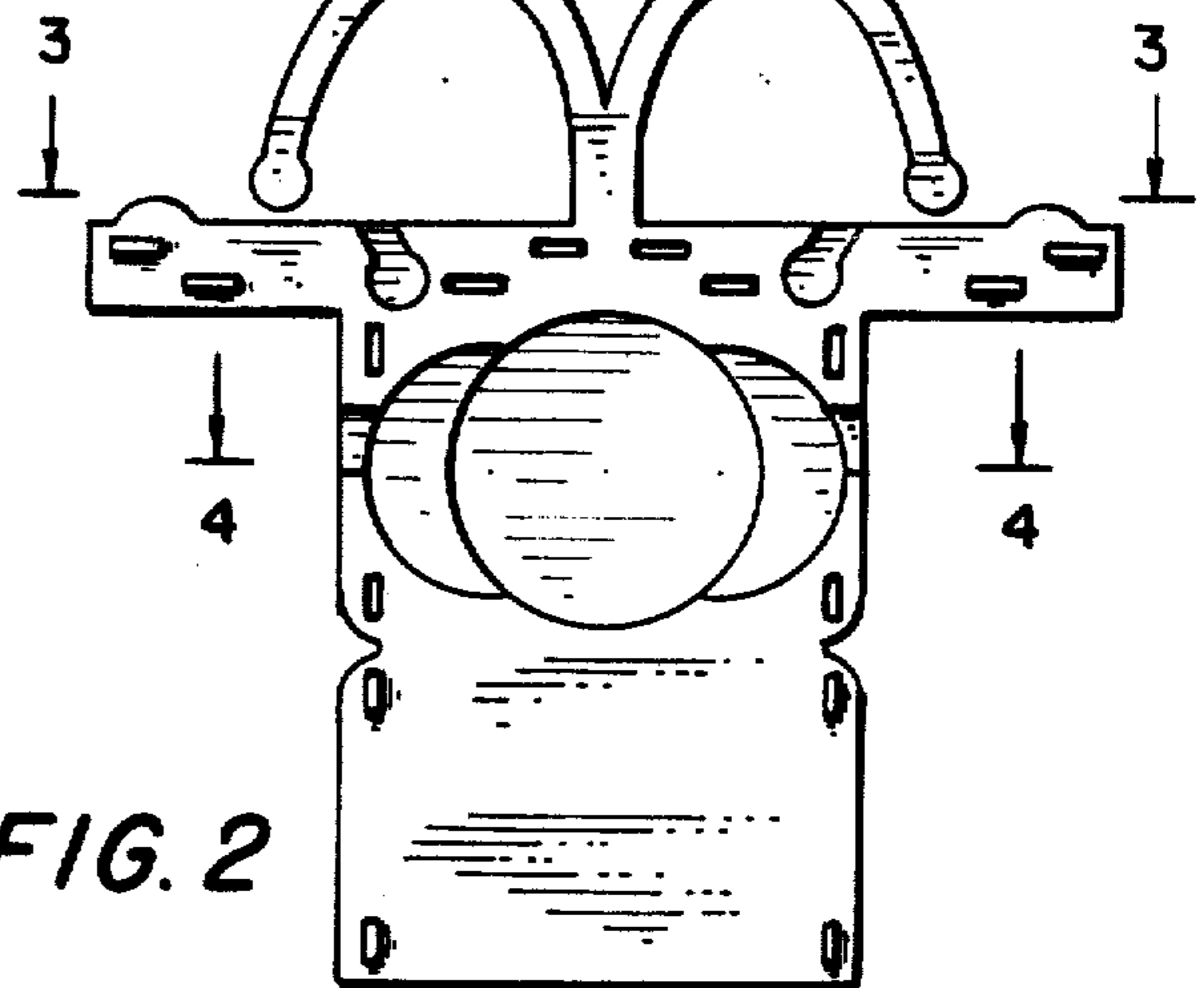


FIG. 2



FIG. 4



FIG. 5

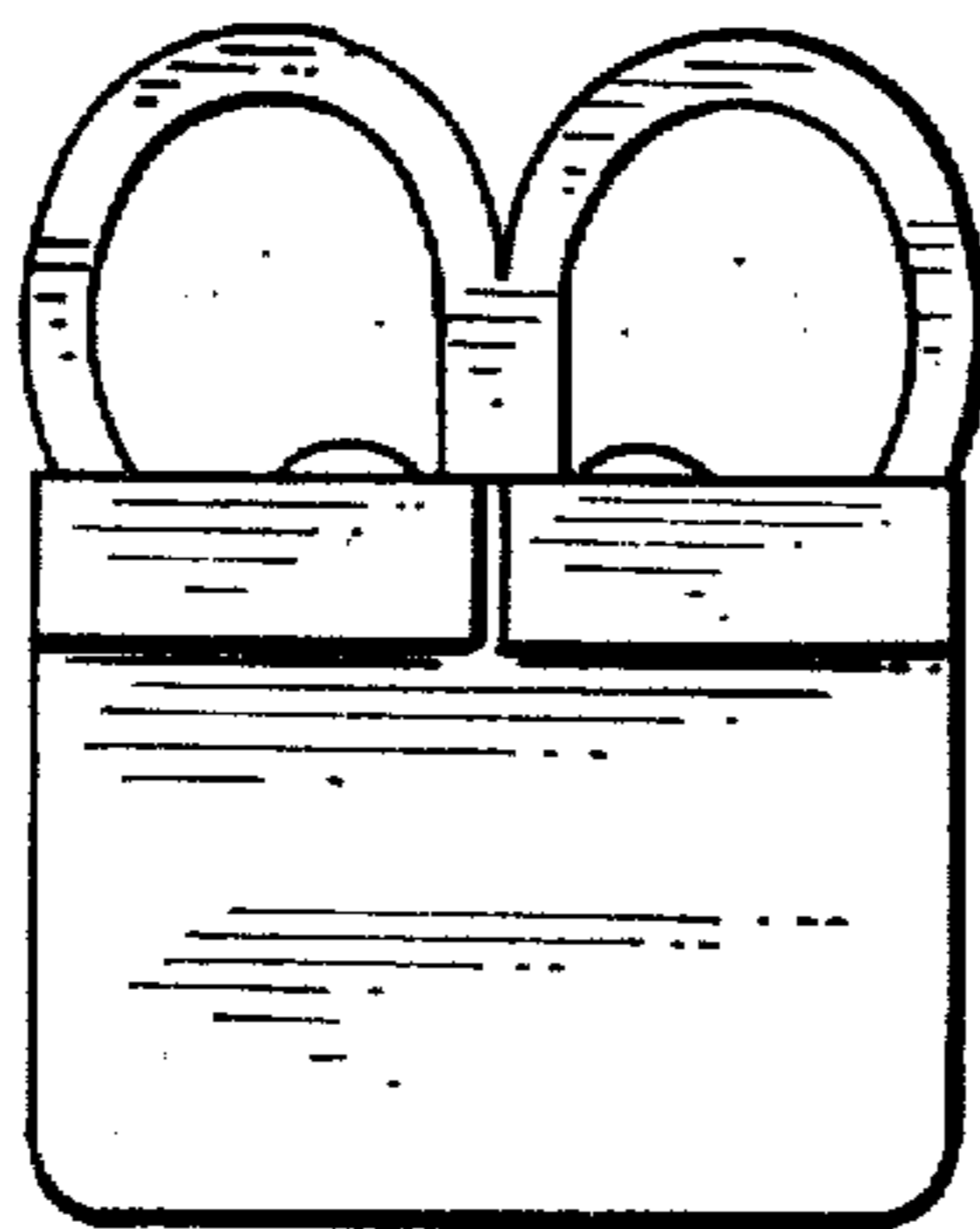


FIG. 6



FIG. 7



FIG. 8

FIG. 9

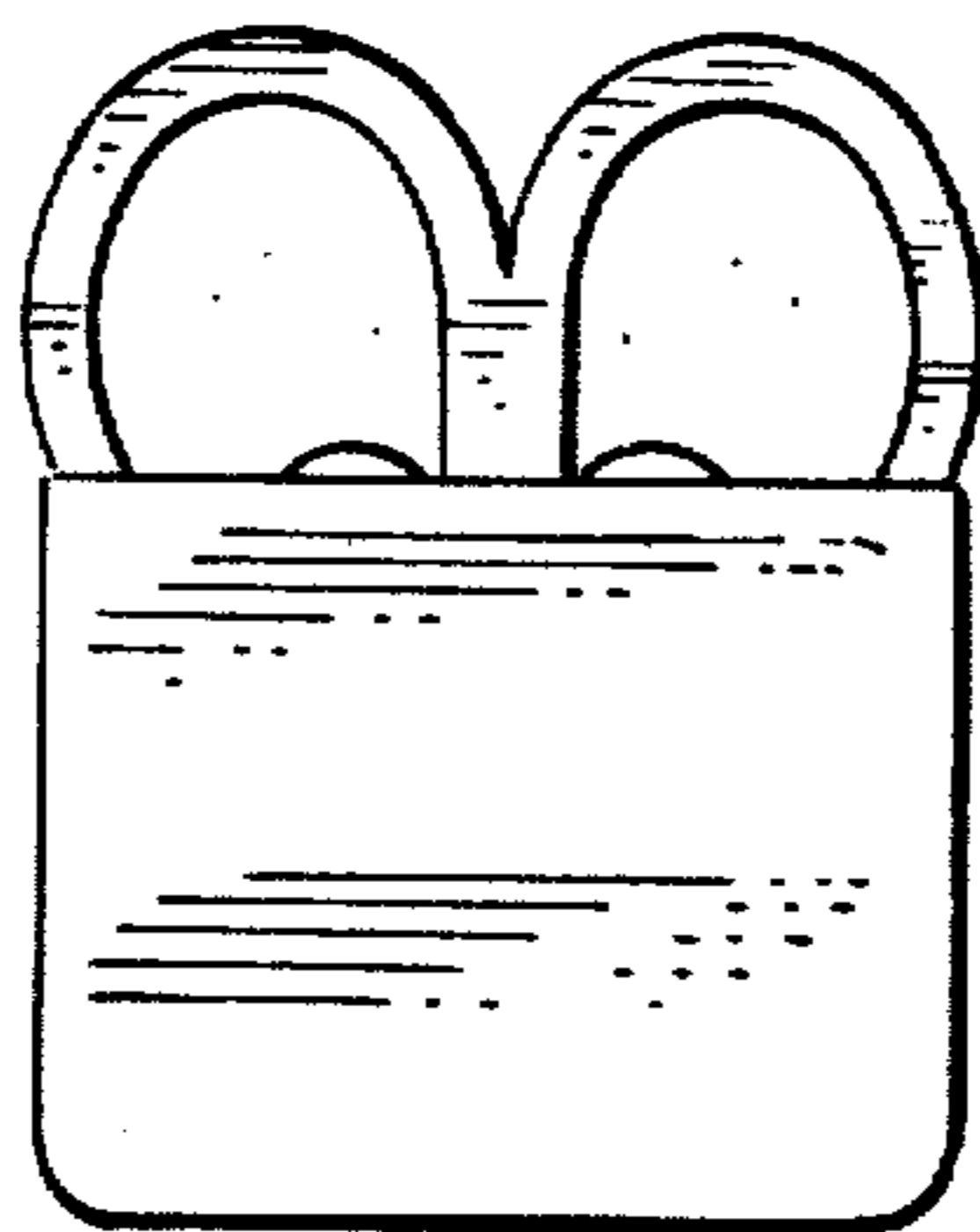


FIG. 10