

[54] WELDER'S HELMET

[75] Inventor: Joseph R. Hilton, Guildford, England  
[73] Assignee: Racal Corporation, Rockville, Md.  
[\*\*] Term: 14 Years  
[21] Appl. No.: 198,166  
[22] Filed: Oct. 17, 1980

[51] Int. Cl. .... D2-03  
[52] U.S. Cl. .... D2/232  
[58] Field of Search ..... D2/230, 231, 232, 233; 2/8, 424, 410

[56] References Cited  
U.S. PATENT DOCUMENTS

D. 181,846	1/1958	Furrer et al. ....	D2/232
3,582,991	6/1971	Metz .....	2/10 X
4,097,929	7/1978	Lowe et al. ....	2/10
4,136,688	1/1979	Gorman .....	2/10 X

FOREIGN PATENT DOCUMENTS

221320 7/1968 Sweden ..... 2/8

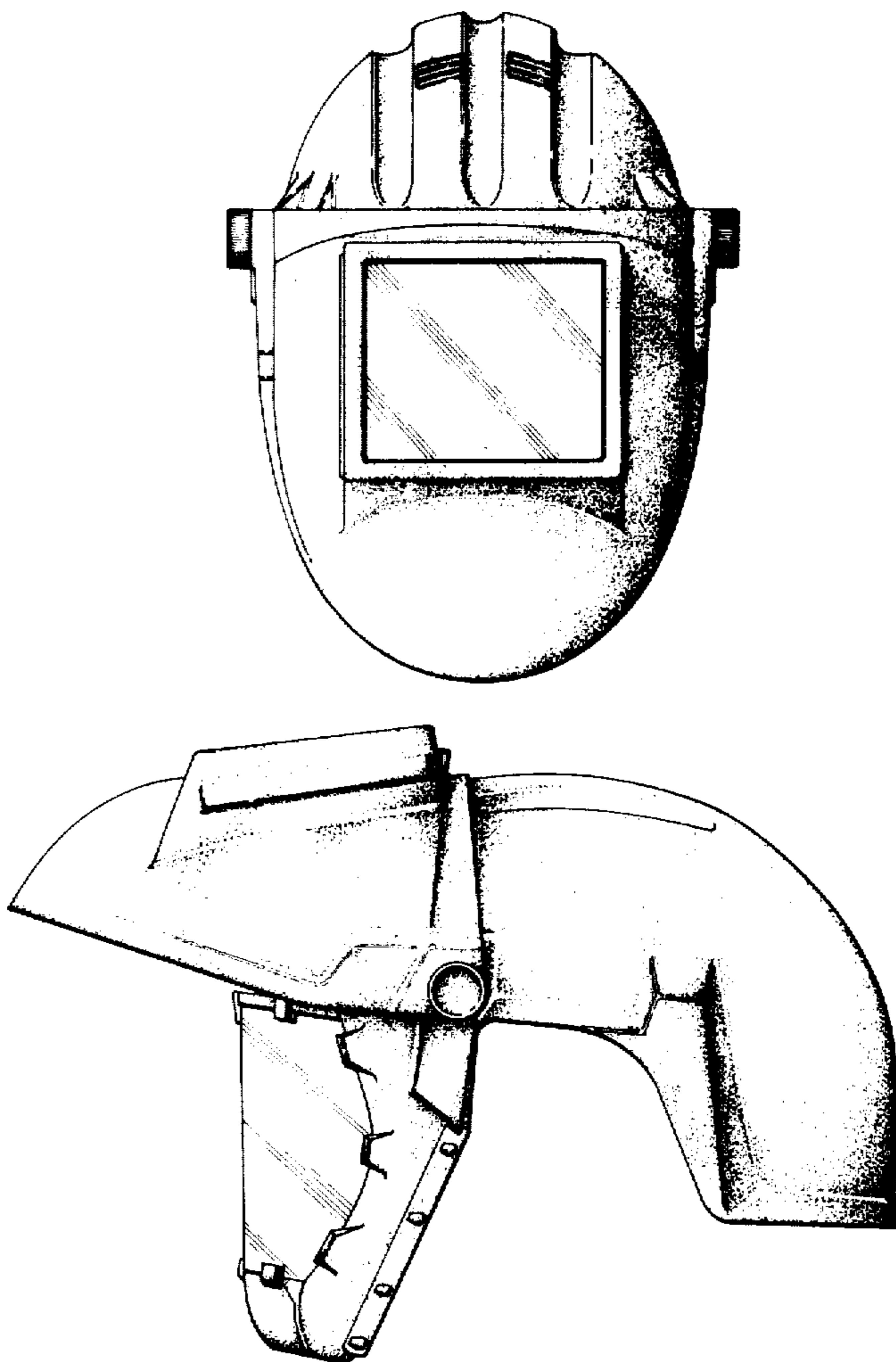
Primary Examiner—Joel Stearman  
Assistant Examiner—Carmen H. Vales  
Attorney, Agent, or Firm—John E. Benoit

[57] CLAIM

The ornamental design for welder's helmet, as shown and described.

DESCRIPTION

FIG. 1 is a front elevational view of a welder's helmet showing my new design;  
FIG. 2 is a rear elevational view thereof;  
FIG. 3 is a left side elevational view, the right side elevational view being a mirror image thereto;  
FIG. 4 is a left side elevational view, with the outer face shield in raised position;  
FIG. 5 is a left side elevational view, with the inner and outer face shields in raised position;  
FIG. 6 is a front elevational view of FIG. 4;  
FIG. 7 is a top plan view of FIG. 1; and  
FIG. 8 is a bottom plan view of FIG. 1.



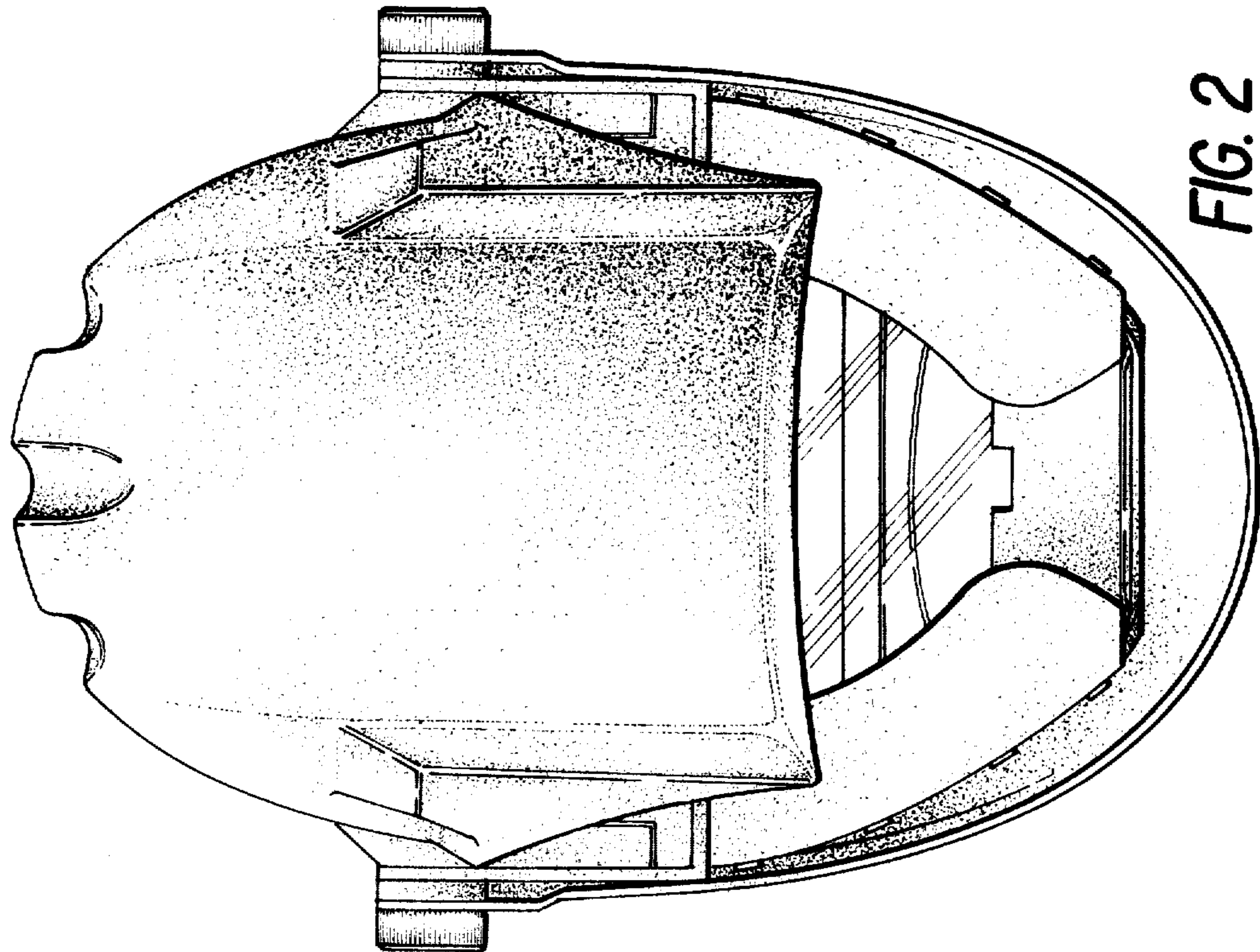


FIG. 1

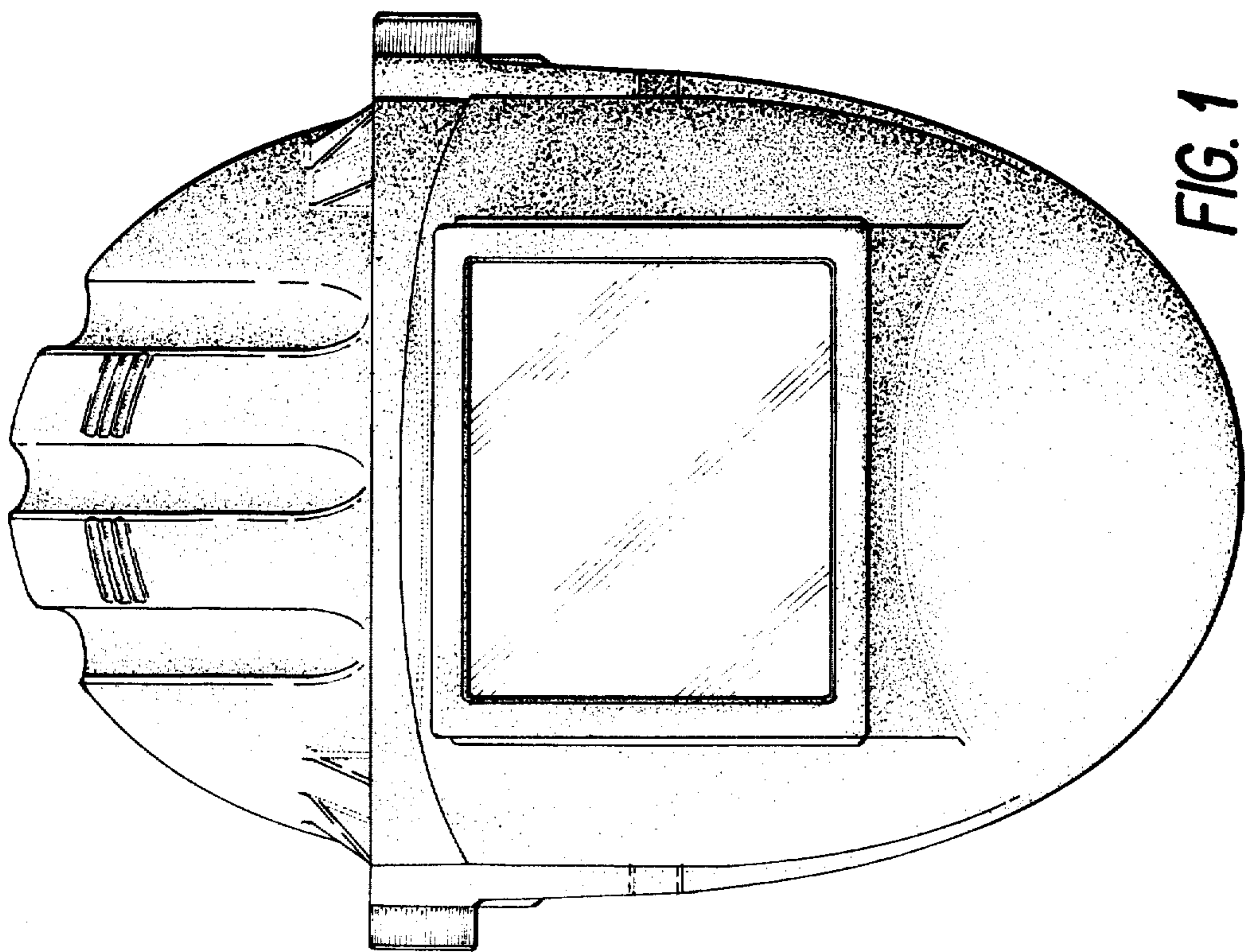


FIG. 2



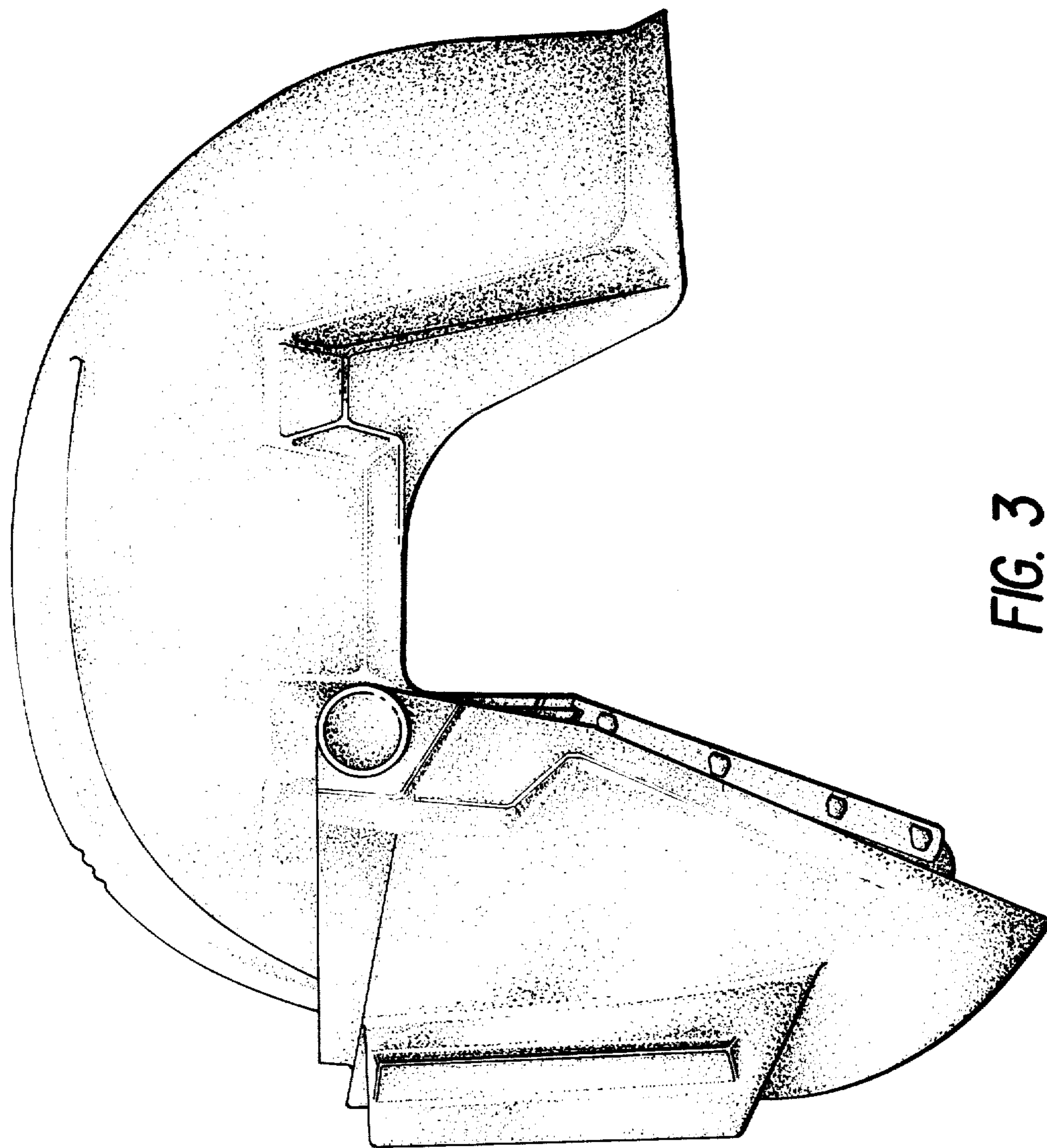


FIG. 3

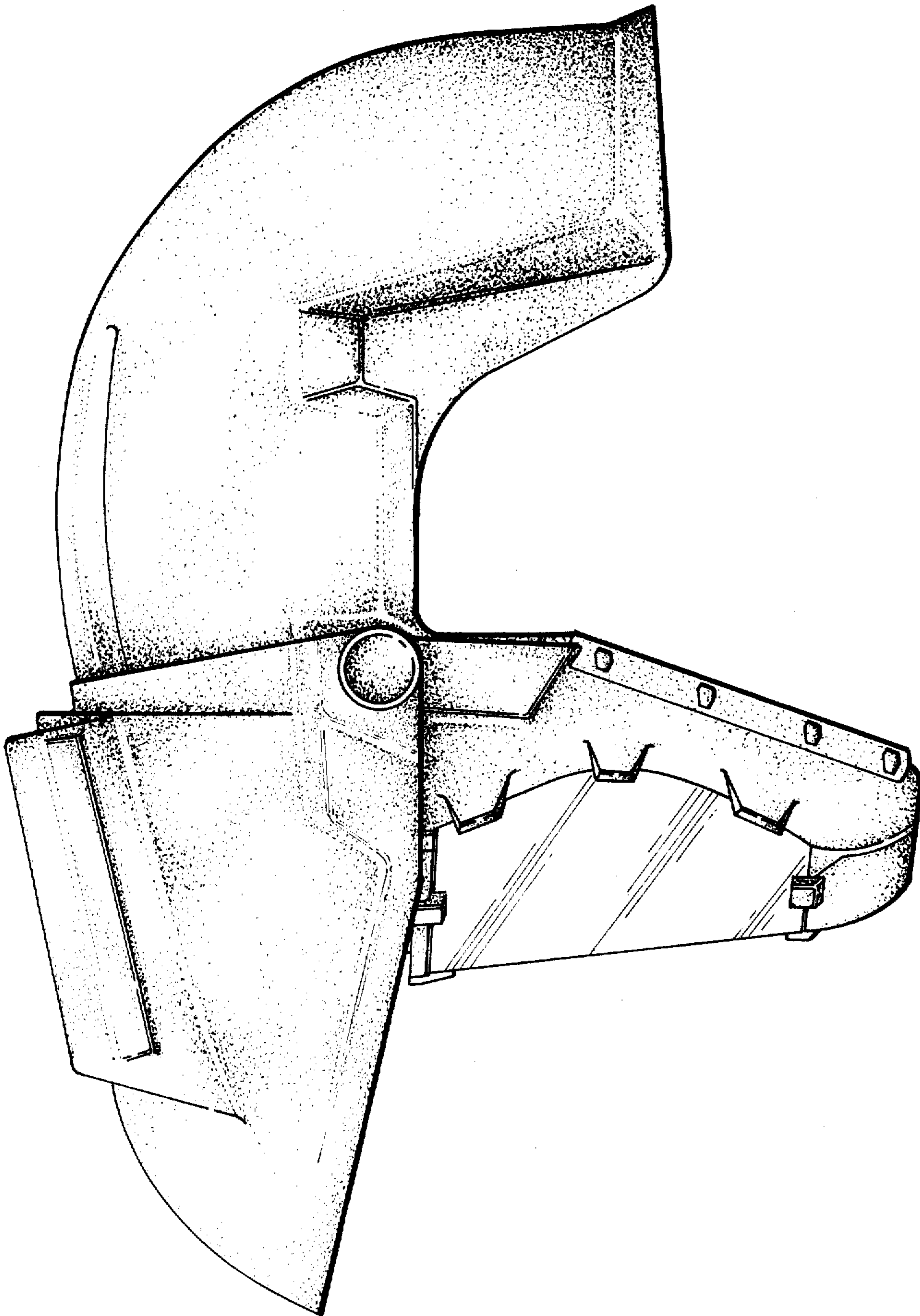


FIG. 4

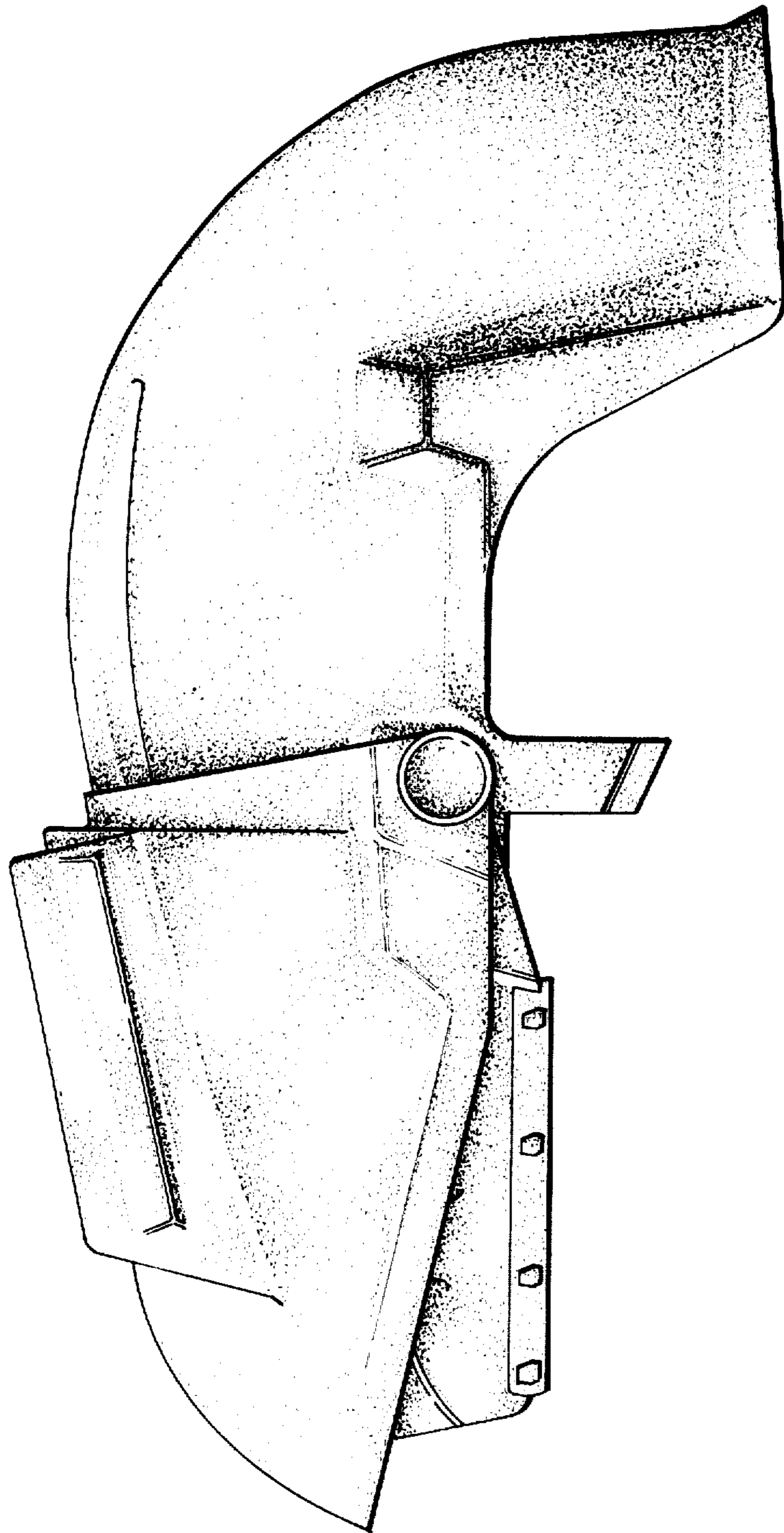
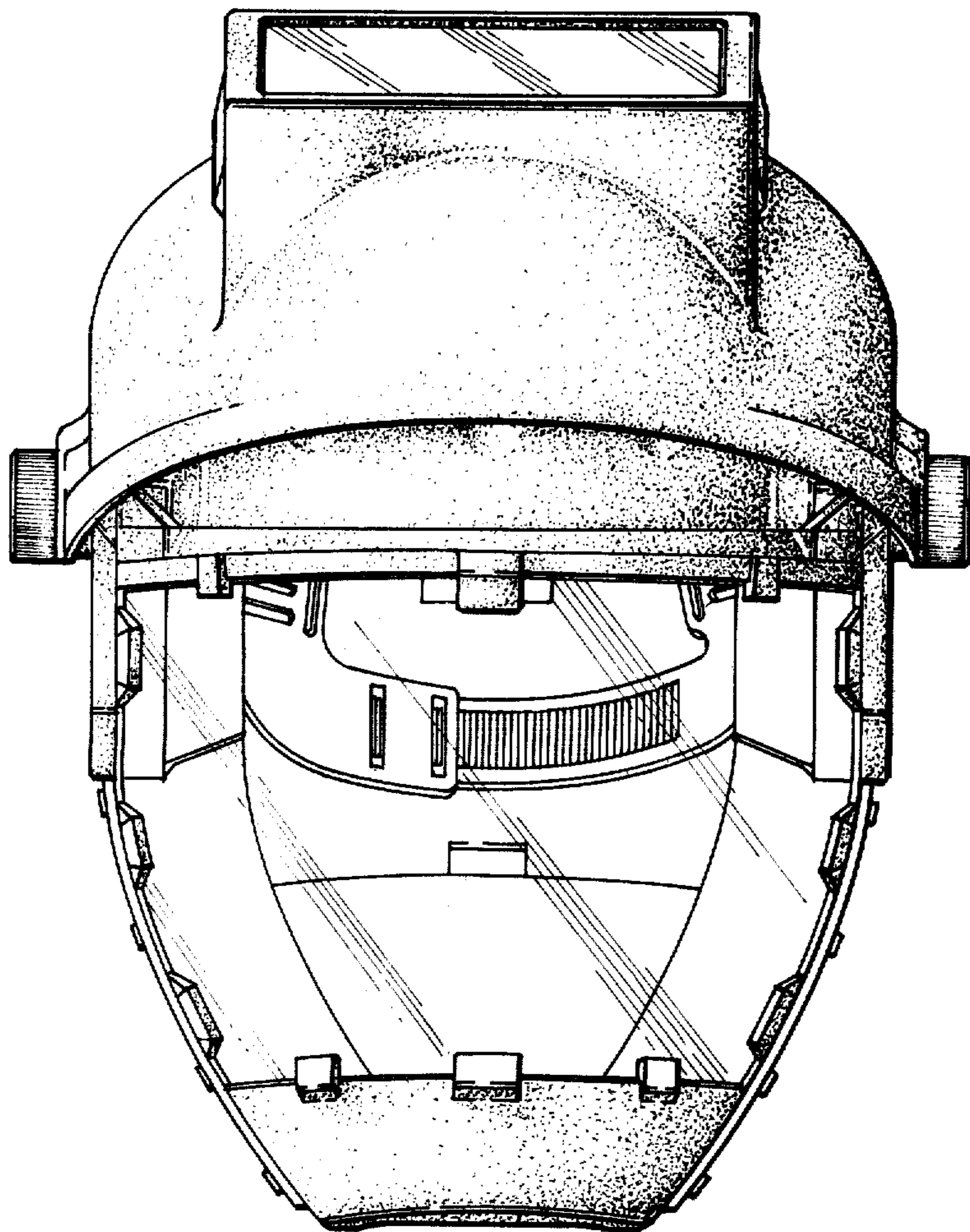


FIG. 5





**FIG. 6**

