

[54] CIGARETTE EXTINGUISHER

[76] Inventor: Harry C. Hagman, 6122 Portland Ave., Minneapolis, Minn. 55417

[**] Term: 14 Years

[21] Appl. No.: 68,574

[22] Filed: Aug. 22, 1979

[51] Int. Cl. D27-99

[52] U.S. Cl. D27/08

[58] Field of Search 131/235 R, 235 ST, 236, 131/237, 256; D27/8, 9

[56] References Cited

U.S. PATENT DOCUMENTS

2,586,466 2/1952 Horlick 131/256
2,737,956 3/1956 Casper 131/235 R

FOREIGN PATENT DOCUMENTS

2123100 12/1972 Fed. Rep. of Germany 131/256

Primary Examiner—Catherine E. Kemper
Attorney, Agent, or Firm—Burd, Bartz & Gutenkauf

[57] CLAIM

The ornamental design for a cigarette extinguisher, substantially as shown and described.

DESCRIPTION

FIG. 1 is a perspective view of a cigarette extinguisher showing my new design;
FIG. 2 is a top plan view thereof;
FIG. 3 is a bottom plan view thereof;
FIG. 4 is a rear elevational view thereof;
FIG. 5 is a cross sectional view taken on the line 5—5 of FIG. 2;
FIG. 6 is a perspective view of a second embodiment of cigarette extinguisher showing my new design;
FIG. 7 is a top plan view thereof;
FIG. 8 is a bottom plan view thereof;
FIG. 9 is an elevational view thereof; and
FIG. 10 is a cross sectional view taken on the line 10—10 of FIG. 7.

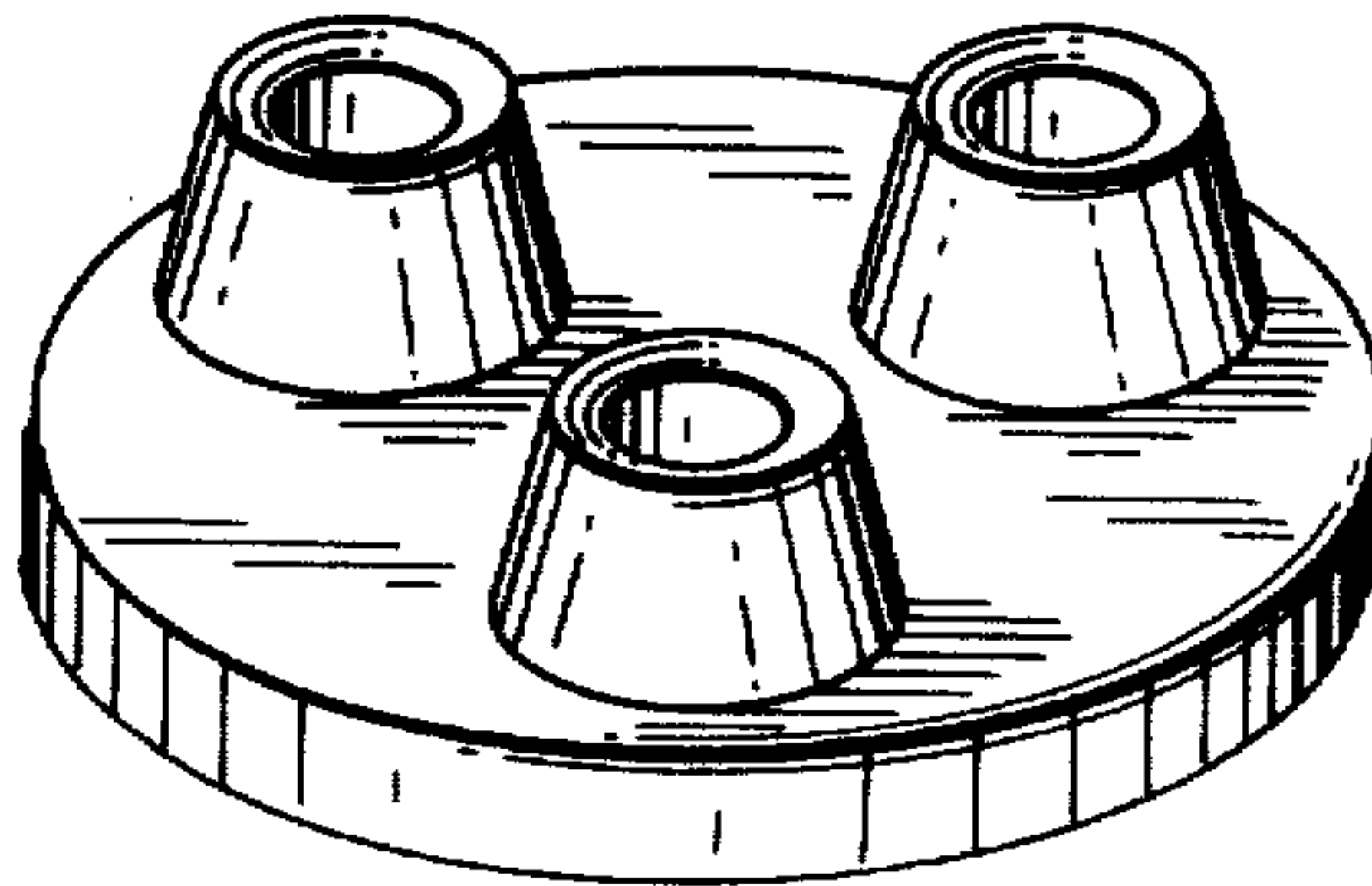


Fig. 1

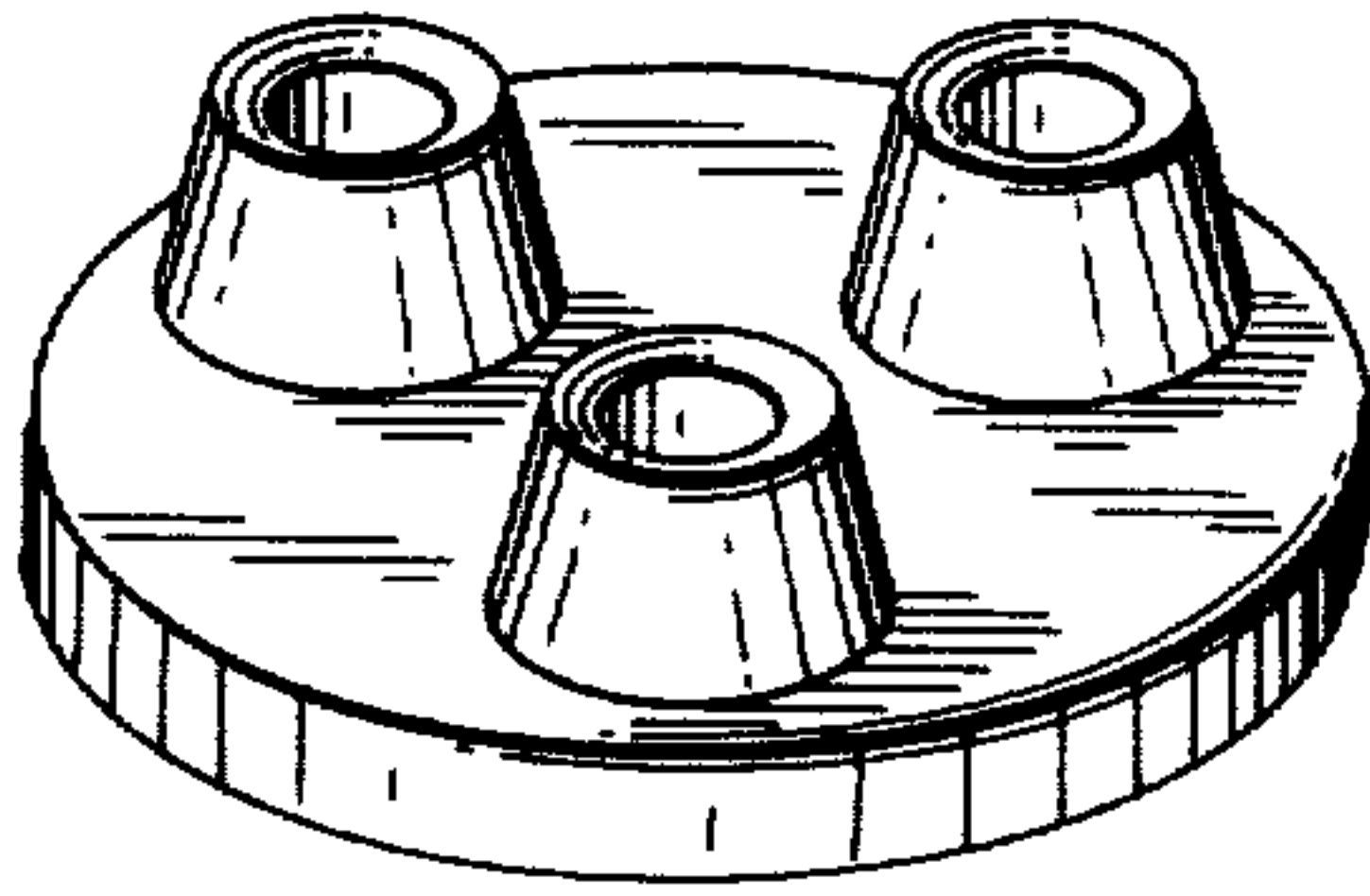


Fig. 3

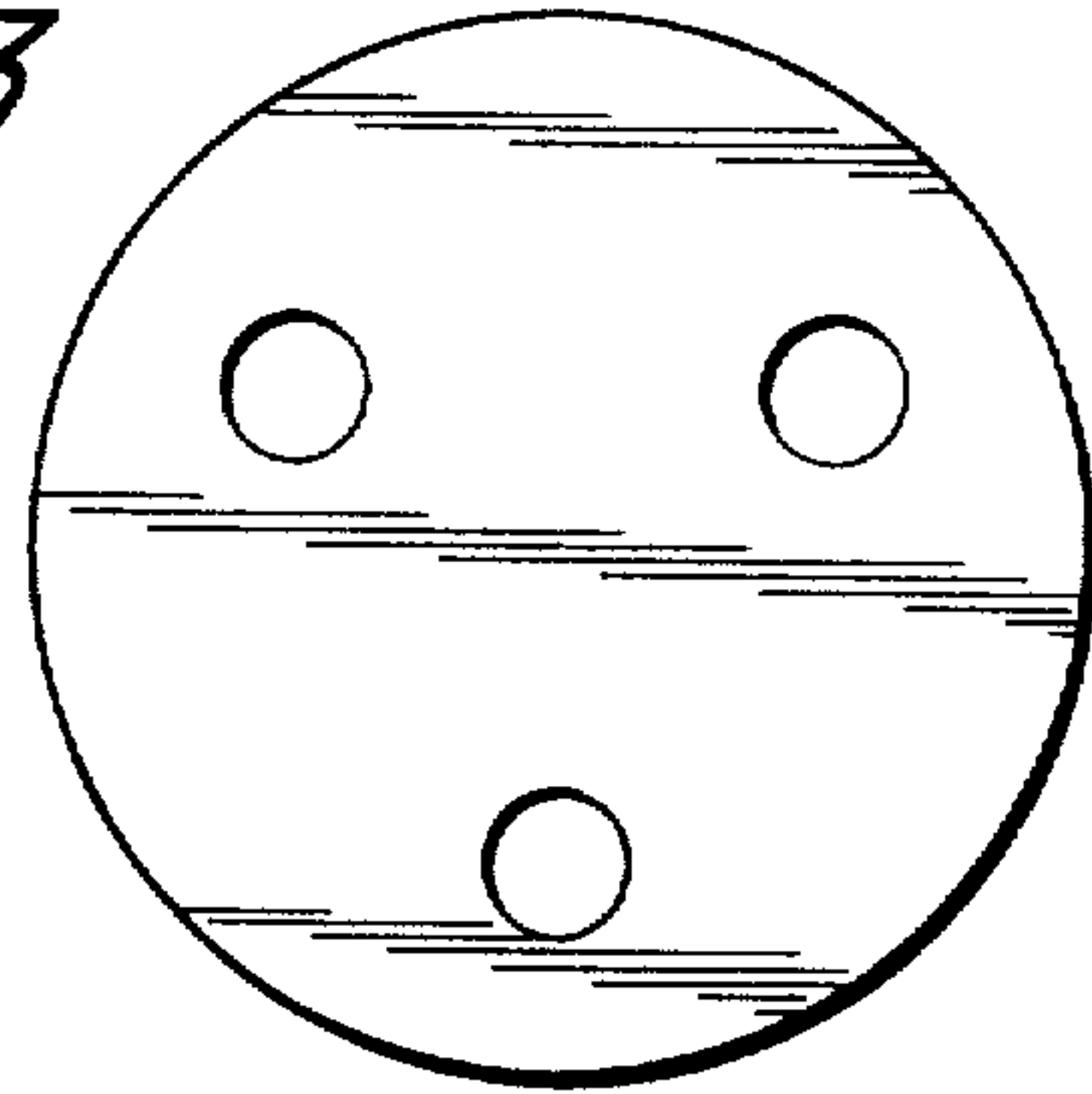


Fig. 2

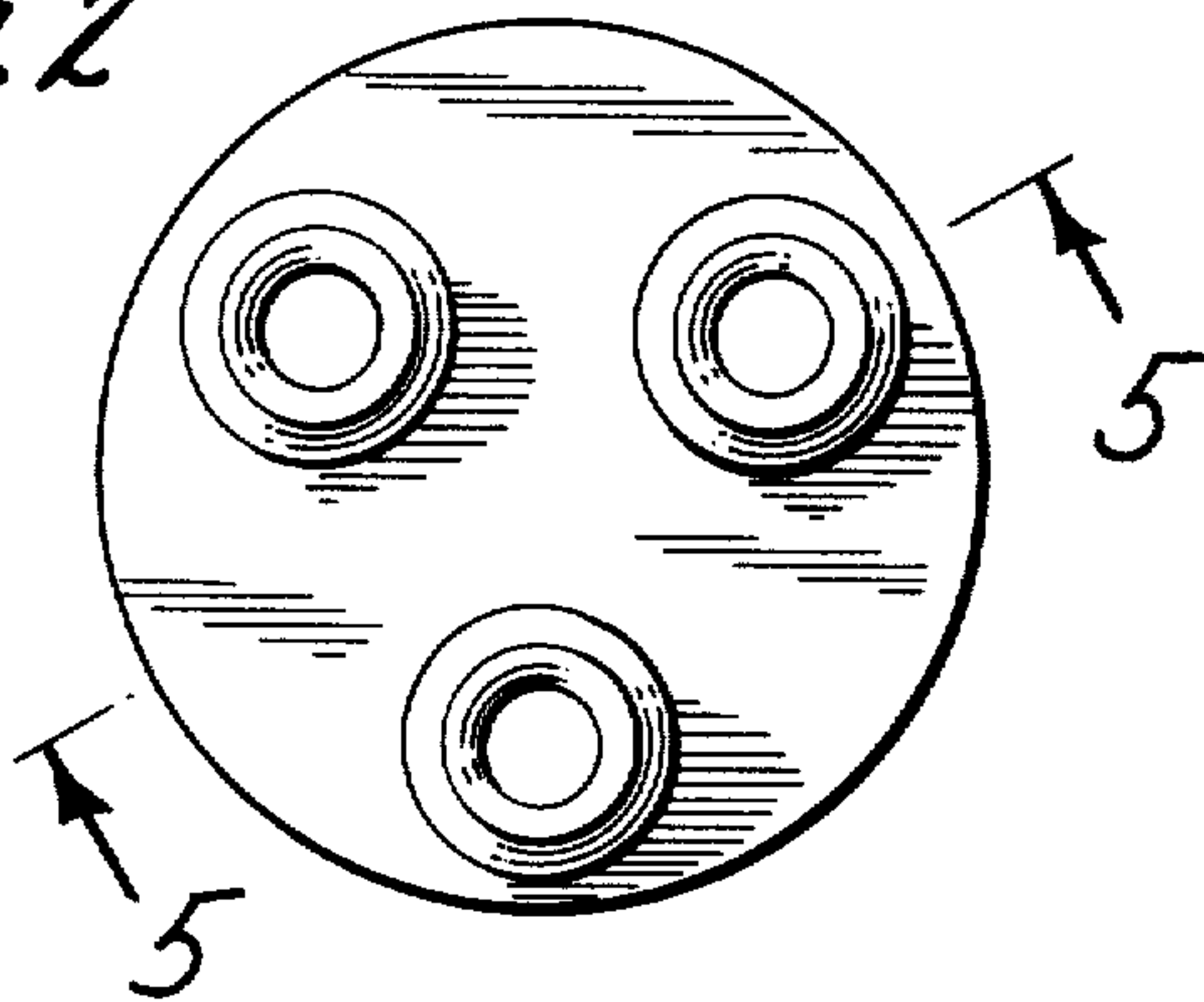


Fig. 4

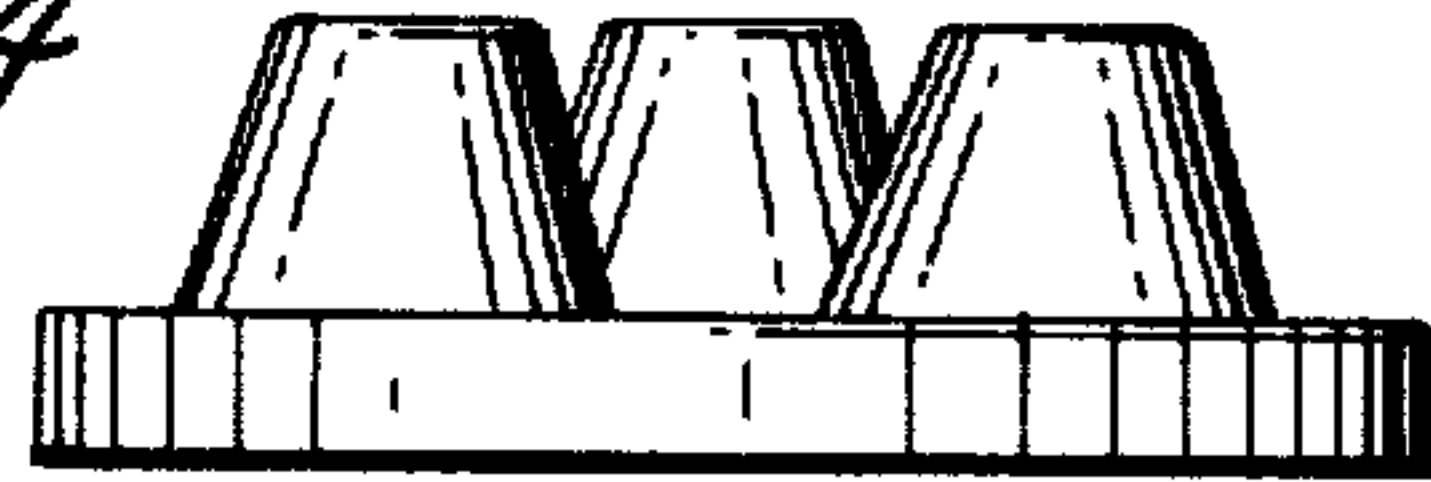


Fig. 5

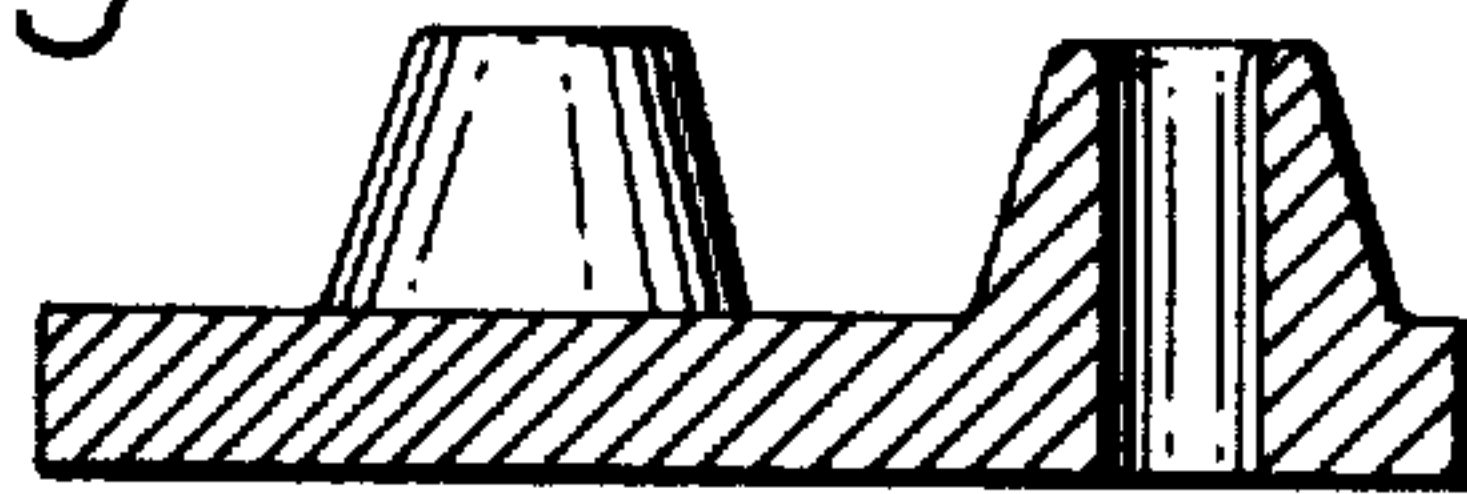


Fig. 6

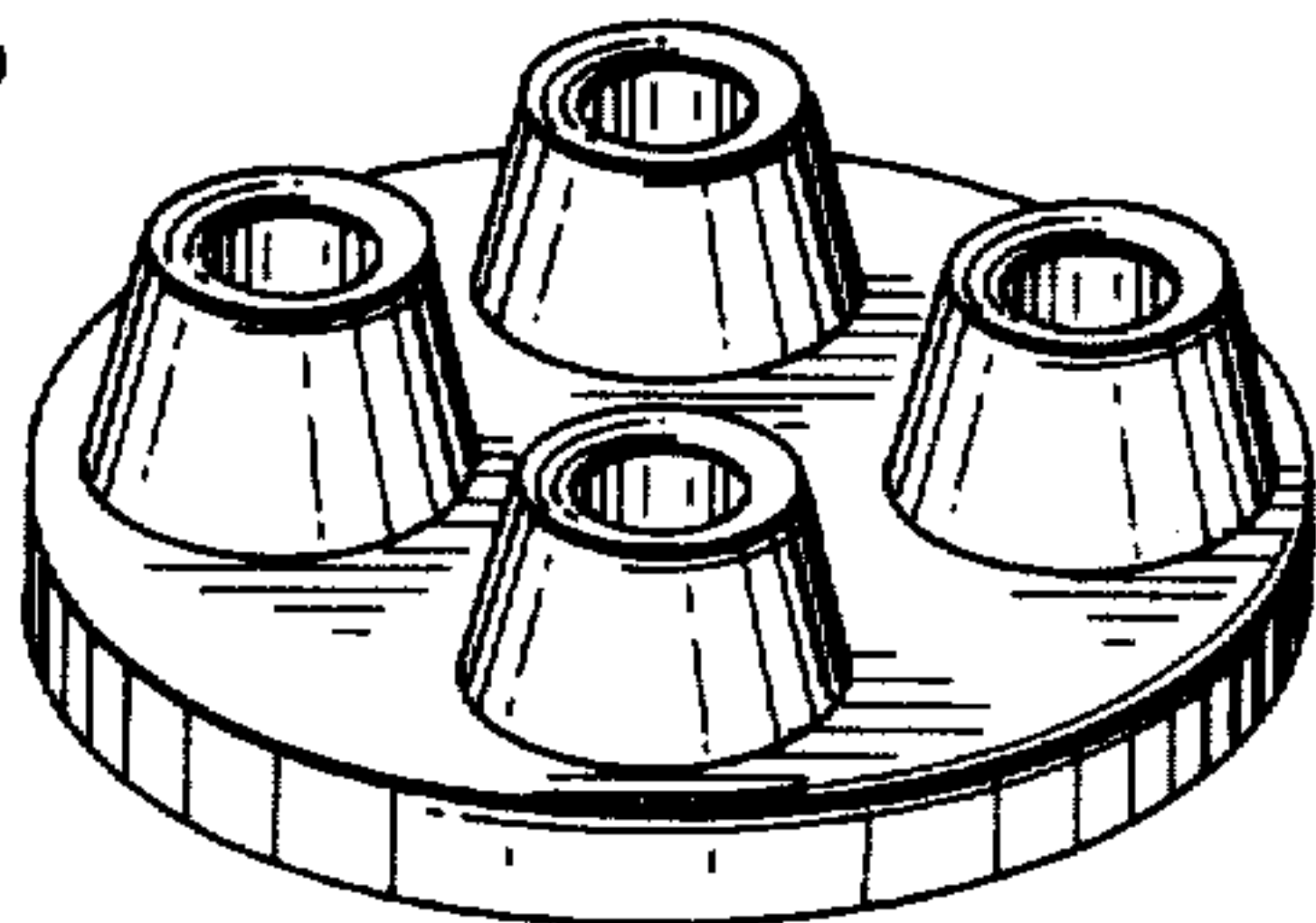


Fig. 8

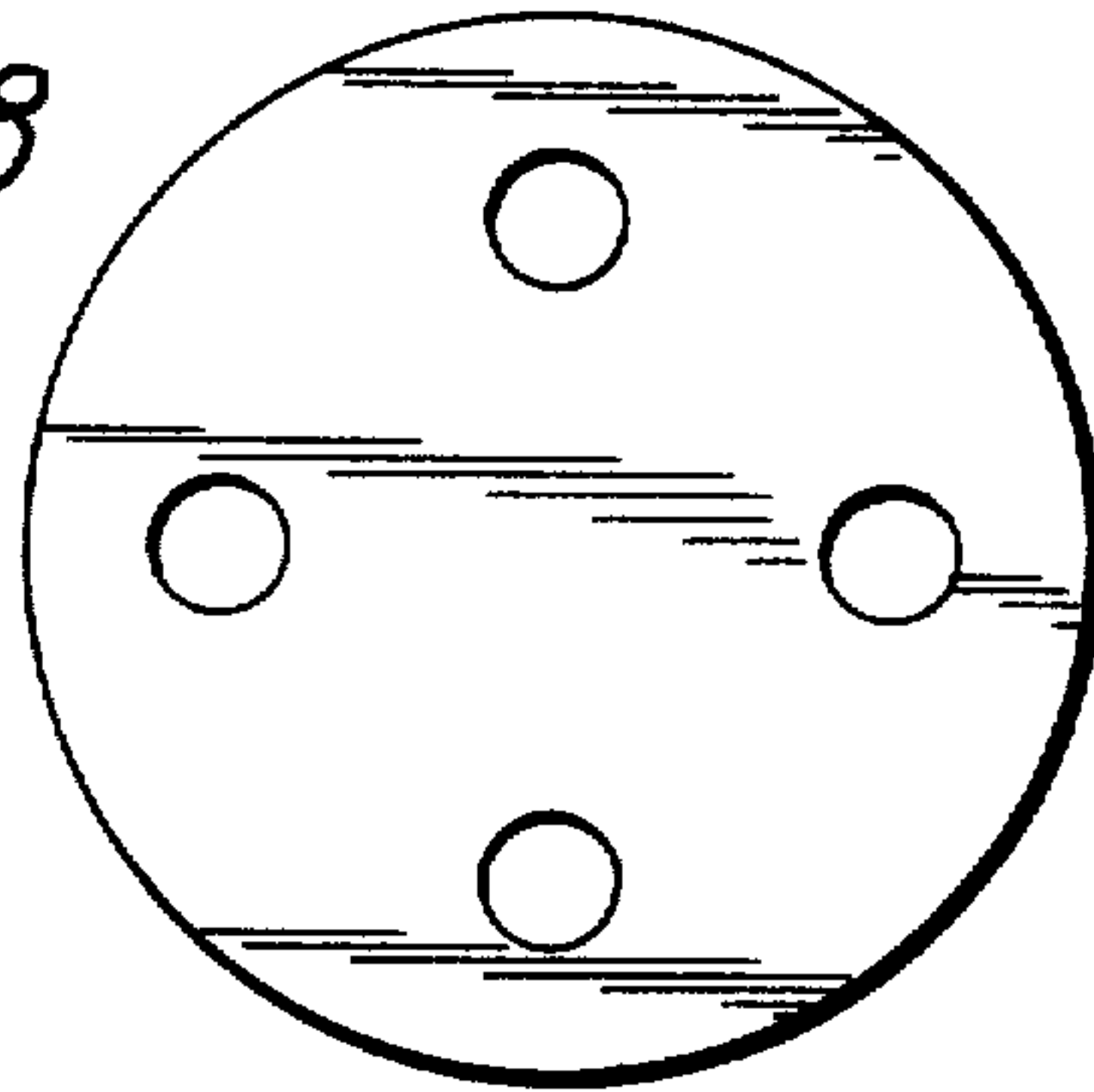


Fig. 7

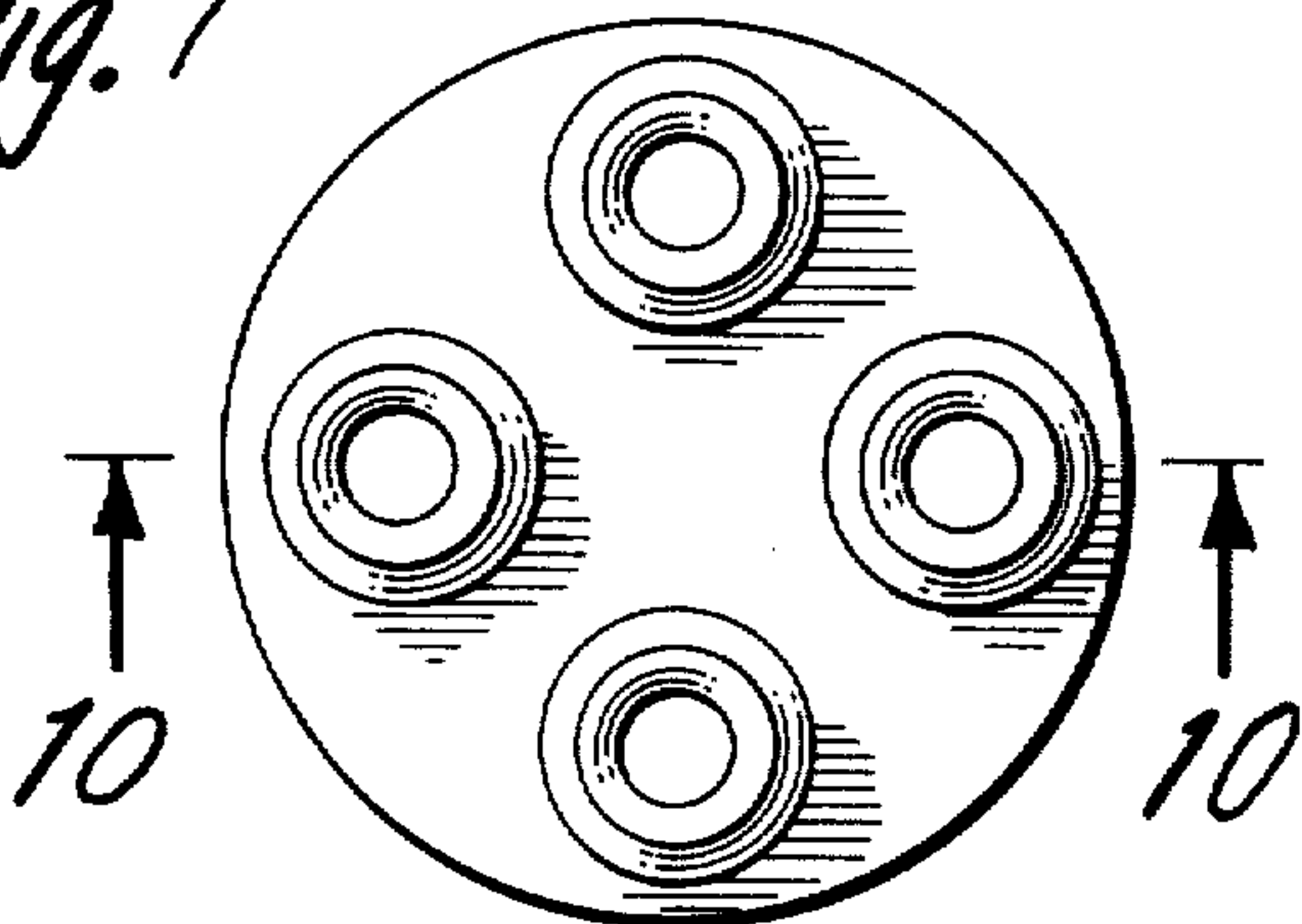


Fig. 9

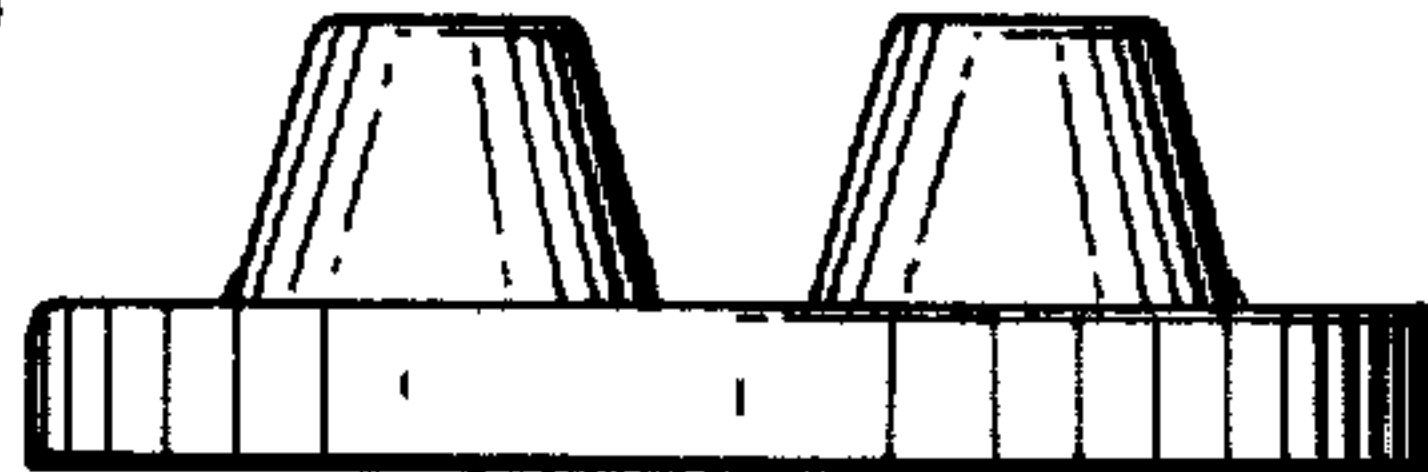


Fig. 10

