

[54] GIMBAL LAMP

[75] Inventor: Bruce B. Phillips, Toronto, Canada

[73] Assignee: Phillips Lighting Specialists Ltd., Toronto, Canada

[**] Term: 14 Years

[21] Appl. No.: 79,805

[22] Filed: Sep. 28, 1979

[30] Foreign Application Priority Data

May 2, 1979 [CA] Canada 02-05-79-2

[51] Int. Cl. D26-05

[52] U.S. Cl. D26/60; D26/61

[58] Field of Search D26/60, 61, 62, 63, D26/64, 65, 66, 93, 37, 40, 114, 115, 117, 138; 362/806, 410, 411, 412, 413, 414, 415, 417, 418, 419, 427, 428, 396, 160, 164, 171, 172, 179, 180, 181; 248/182, 346, 127, 130, 133, 137, 139, 140, 141, 142

[56] References Cited

U.S. PATENT DOCUMENTS

| | | | |
|-----------|---------|--------------------|-----------|
| 232,318 | 9/1880 | Walker et al. | 362/415 |
| 522,116 | 6/1894 | Hughes | 362/410 |
| 1,282,594 | 10/1918 | Kossmann | 362/427 X |
| 2,470,154 | 5/1949 | Fitzgerald | 248/141 |

OTHER PUBLICATIONS

Home Lighting & Accessories, 4-1978, p. 12, Kerosene Mantle Lamp (Wall), (top right).

White's Quaint Shop Gift Catalog, 1967, p. 6, 2-Way Kerosene Lamp #359.

Primary Examiner—Susan J. Lucas

[57] CLAIM

The ornamental design for gimbal lamp, as shown and described.

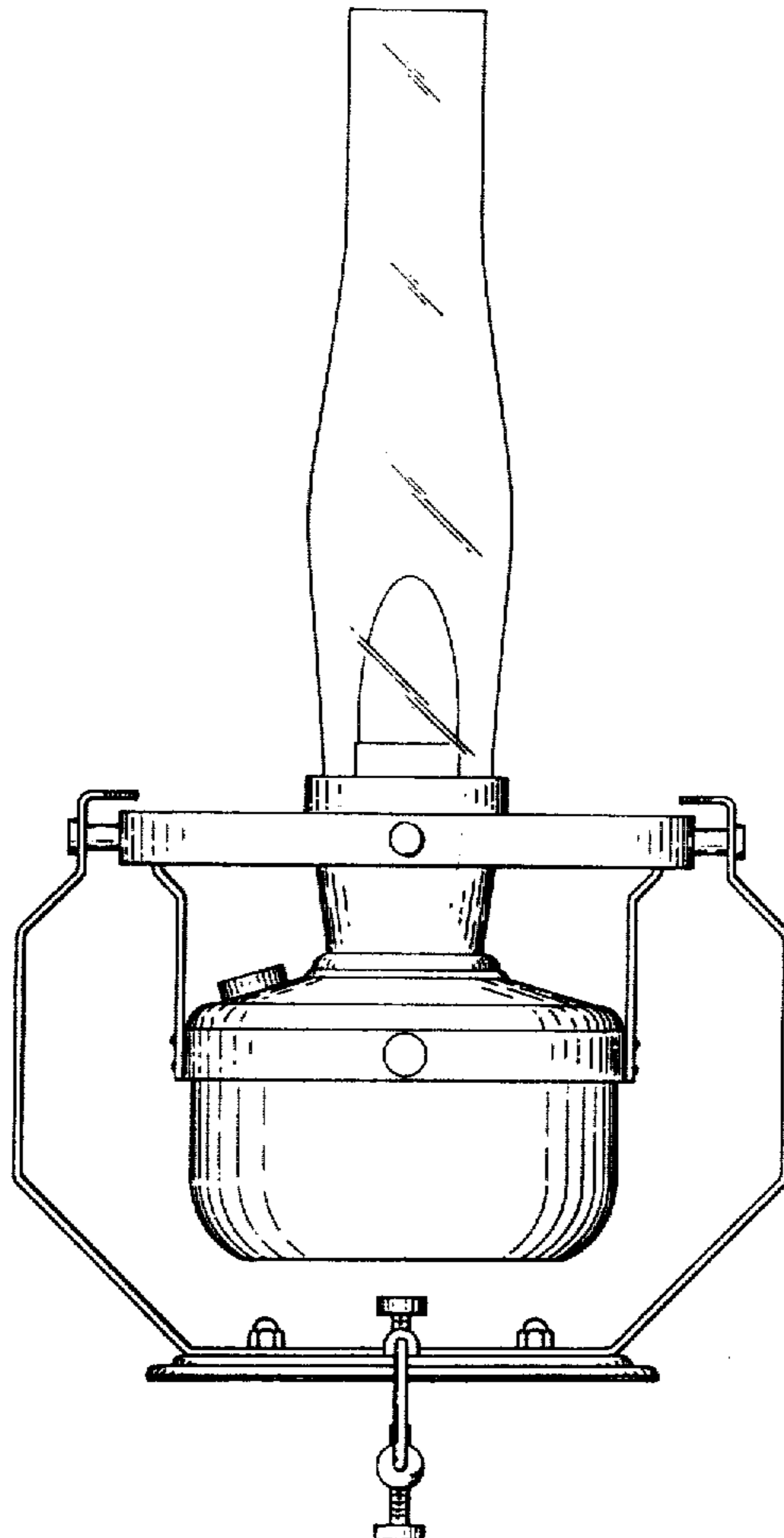
DESCRIPTION

FIG. 1 is a side elevational view of a gimbal lamp showing my new design;

FIG. 2 is an elevational view taken from the right of FIG. 1;

FIG. 3 is a perspective view thereof on a reduced scale, the clamp being in an alternate position;

FIG. 4 is a bottom view thereof with the clamp in the position shown in FIG. 3.



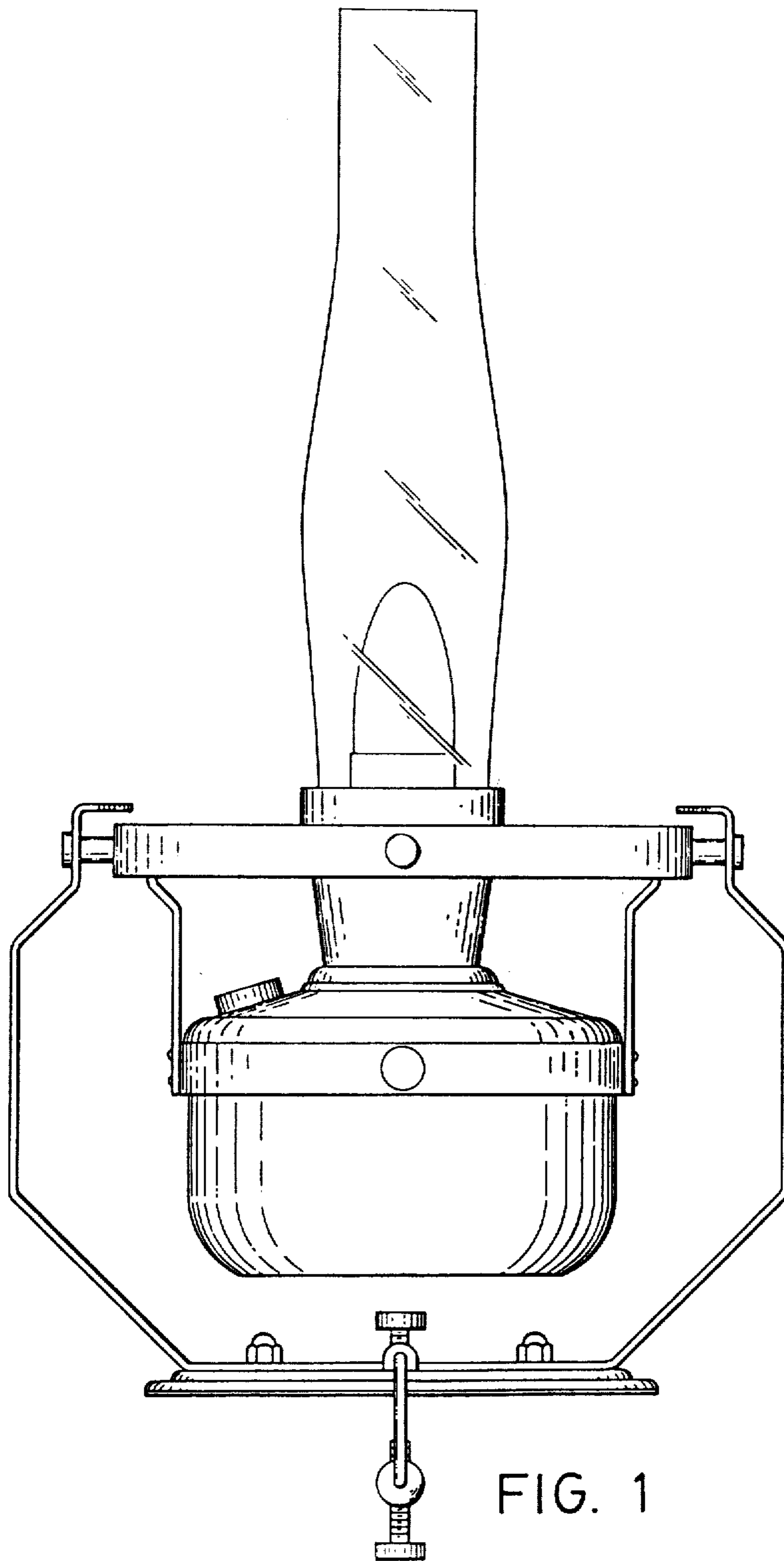


FIG. 1

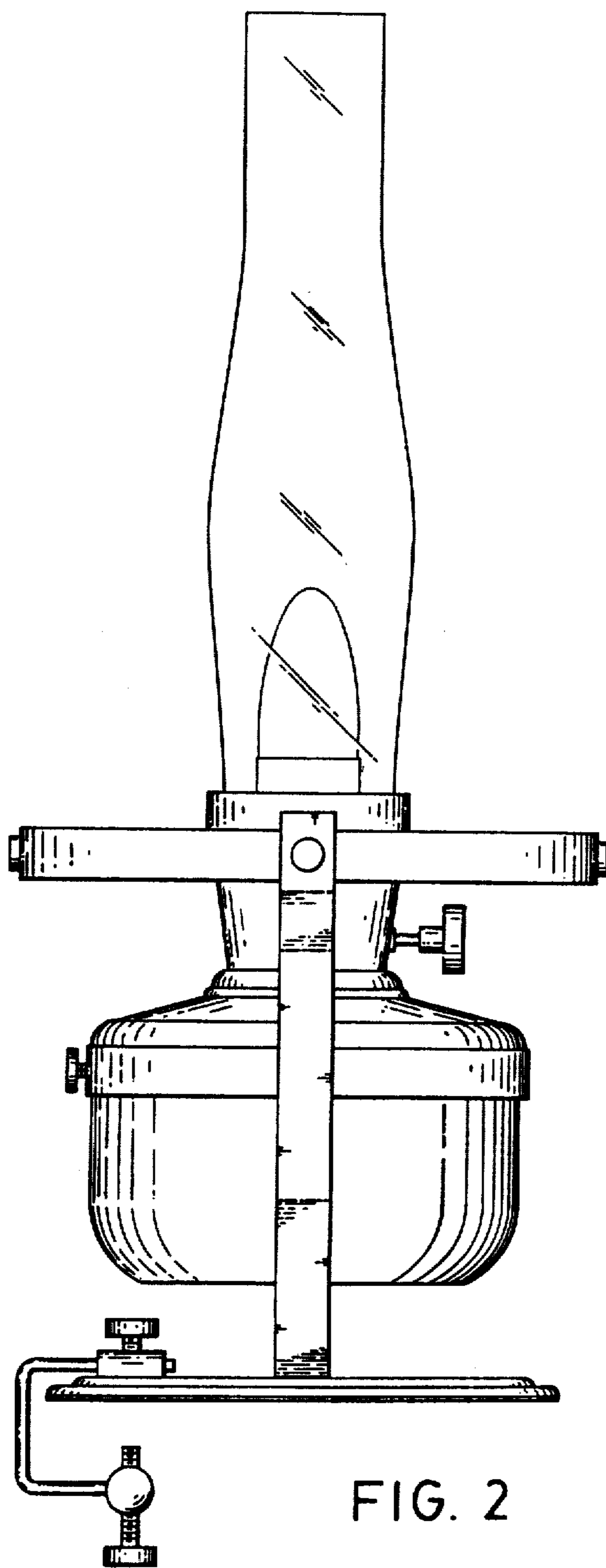


FIG. 2

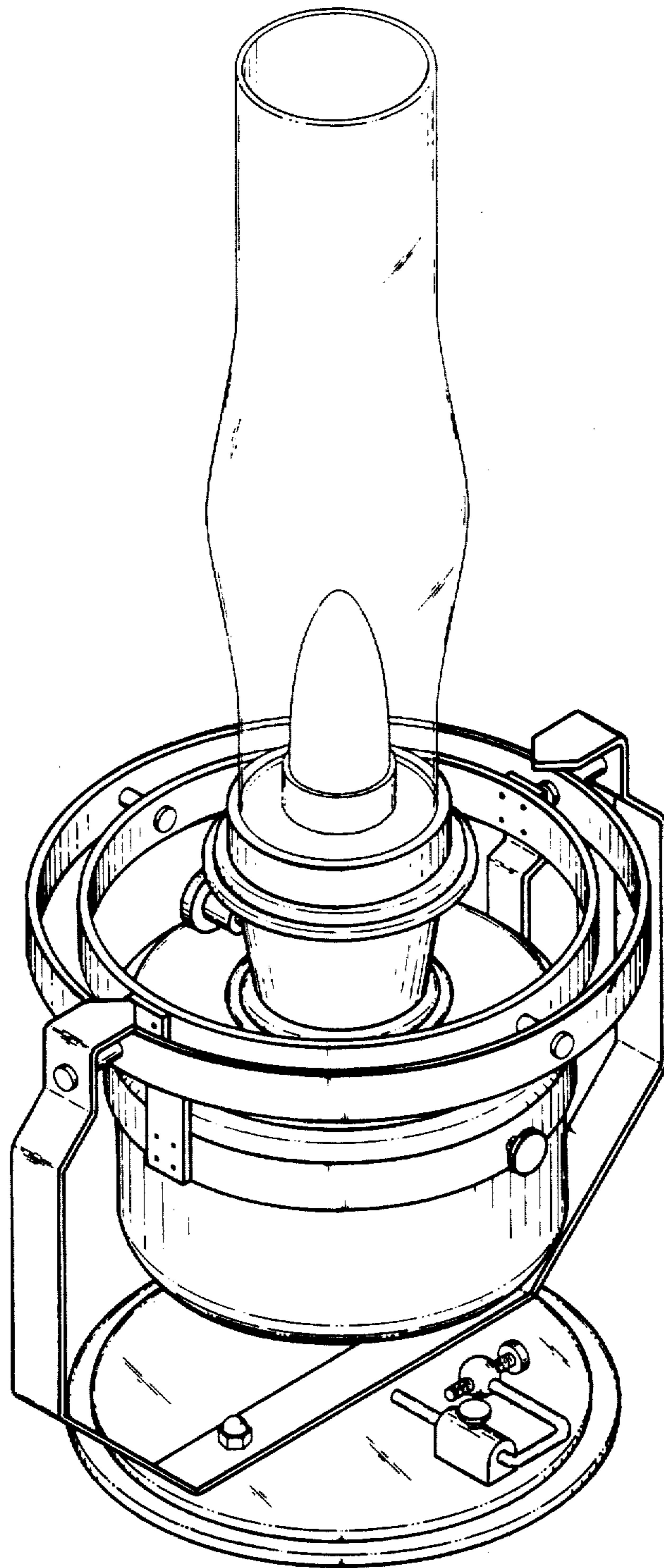


FIG. 3

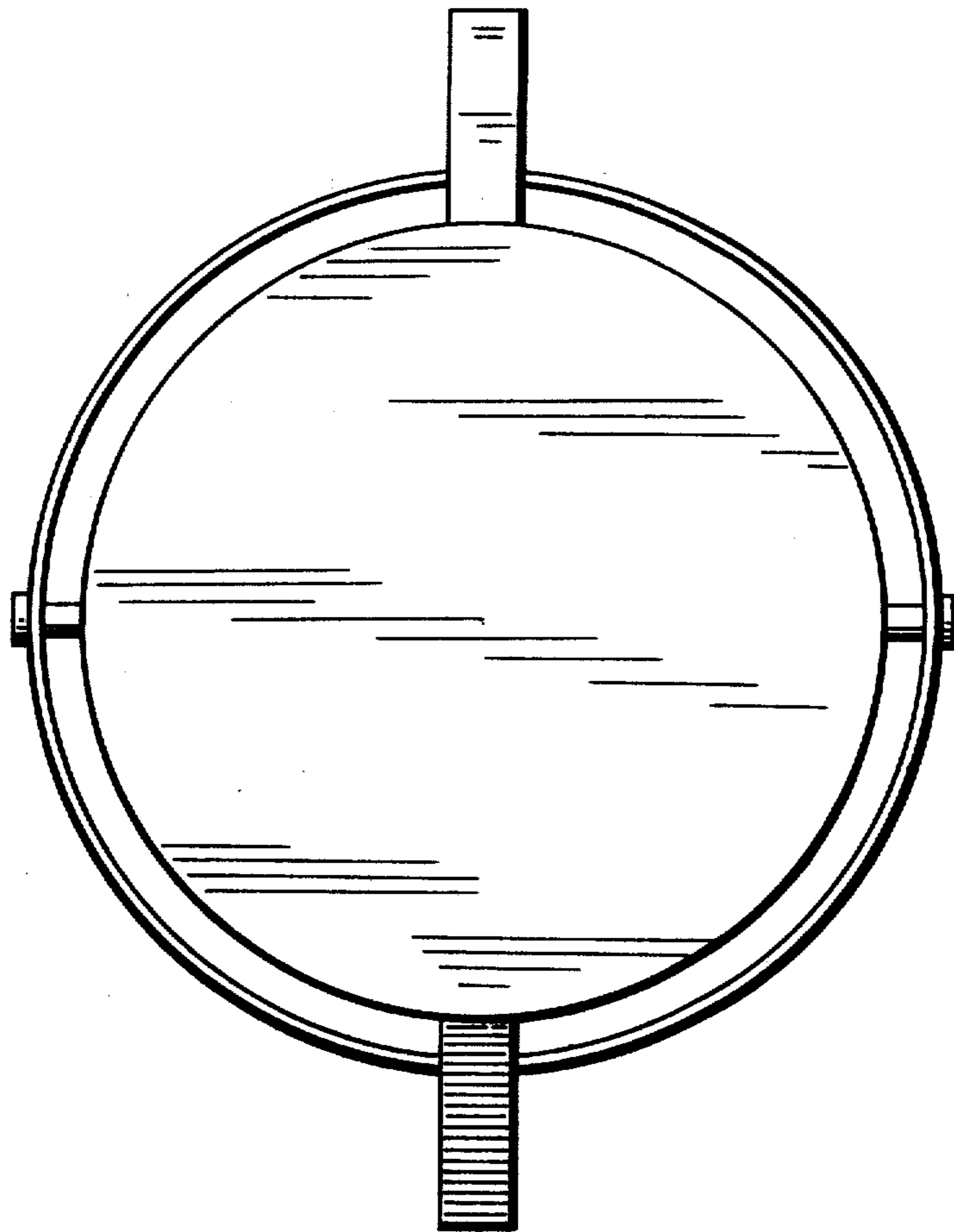


FIG. 4