

[54] **RUNNING LIGHT FOR BOAT TRAILER AND THE LIKE**

[75] Inventor: **Virgil W. Potts**, Harrisonville, Mo.

[73] Assignee: **Peterson Manufacturing Co.**, Grandview, Mo.

[**] Term: **14 Years**

[21] Appl. No.: **146,190**

[22] Filed: **May 2, 1980**

[51] Int. Cl. **D26—06**

[52] U.S. Cl. **D26/35**

[58] Field of Search **D26/24, 28, 29, 30, D26/31, 34, 35, 36; 362/61, 235, 250, 307, 310, 311, 362, 363**

[56] **References Cited**

U.S. PATENT DOCUMENTS

- D. 219,476 12/1970 Hicks D26/35
- D. 236,371 8/1975 Brudy D26/35

FOREIGN PATENT DOCUMENTS

1381316 11/1964 France 362/61

Primary Examiner—Susan J. Lucas

Attorney, Agent, or Firm—Fishburn, Gold and Litman

[57] **CLAIM**

The ornamental design for running light for boat trailer and the like, as shown and described.

DESCRIPTION

FIG. 1 is a perspective view of the running light for boat trailer and the like showing my new design.

FIG. 2 is a side elevational view thereof on an enlarged scale.

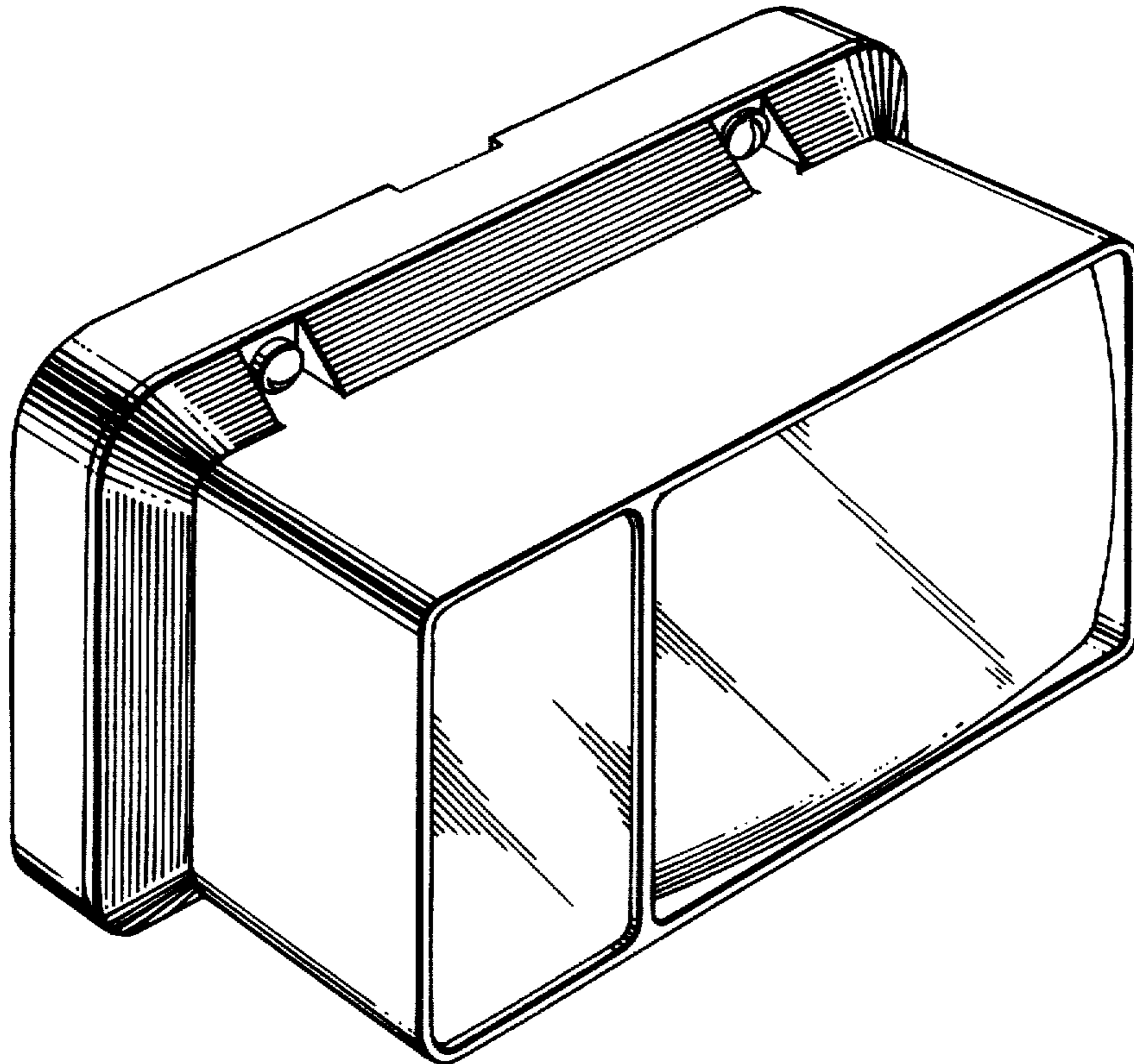
FIG. 3 is a front elevational view thereof on an enlarged scale.

FIG. 4 is a plan view thereof on an enlarged scale from the top.

FIG. 5 is a side elevational view thereof on an enlarged scale taken from the side opposite FIG. 2.

FIG. 6 is a plan view thereof on an enlarged scale taken from the bottom.

FIG. 7 is a rear elevational view thereof.



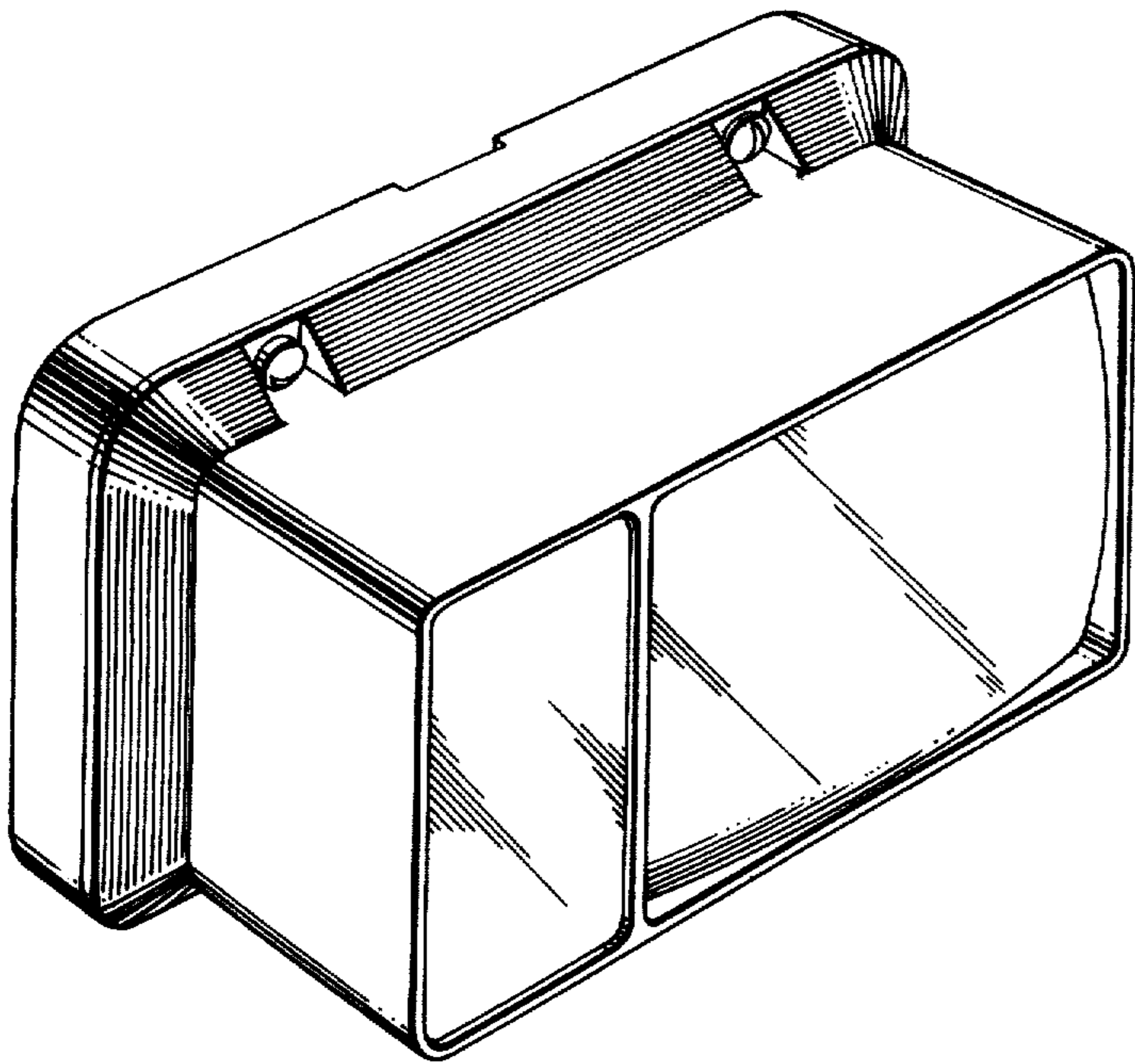


Fig. 1.

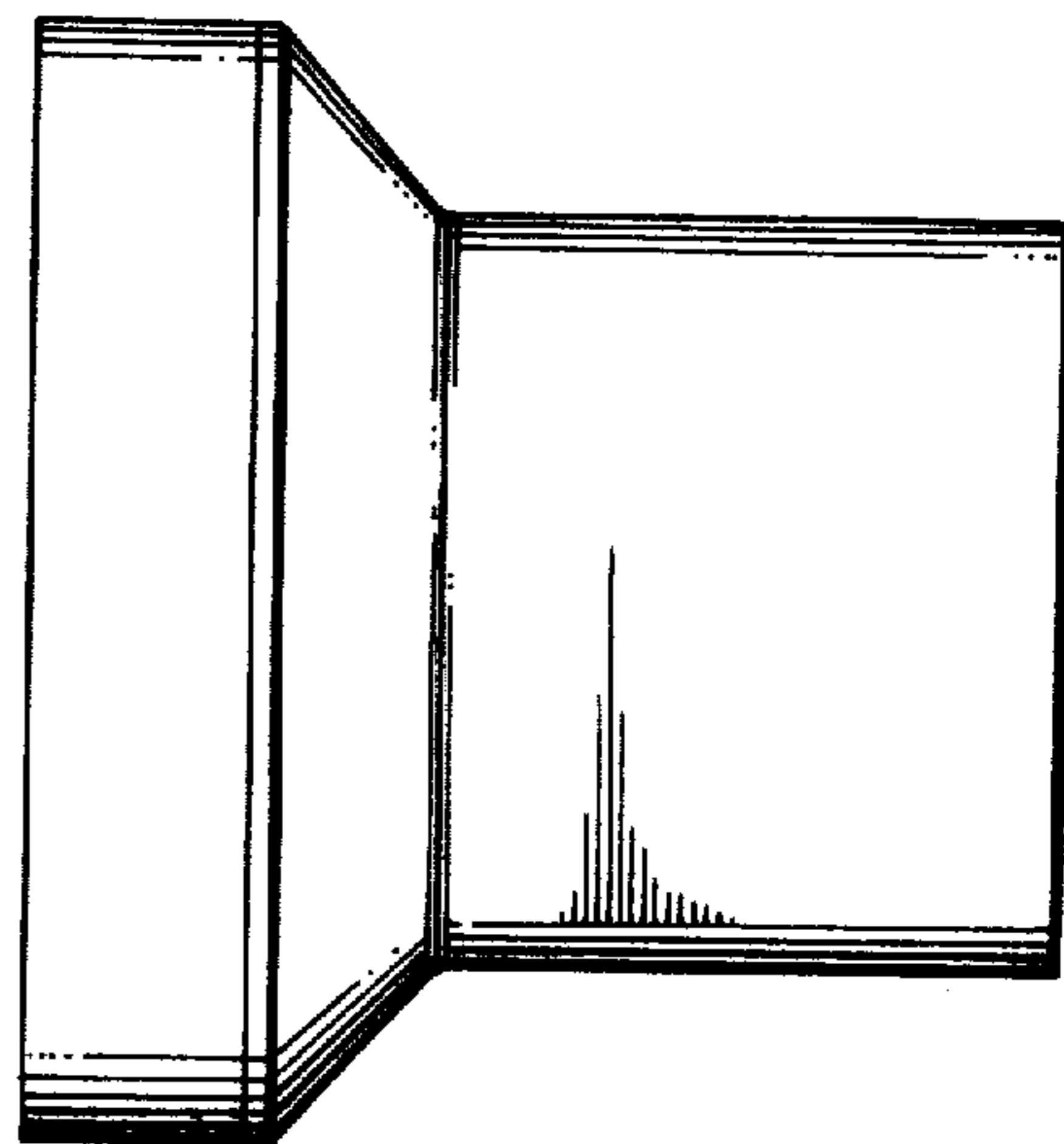
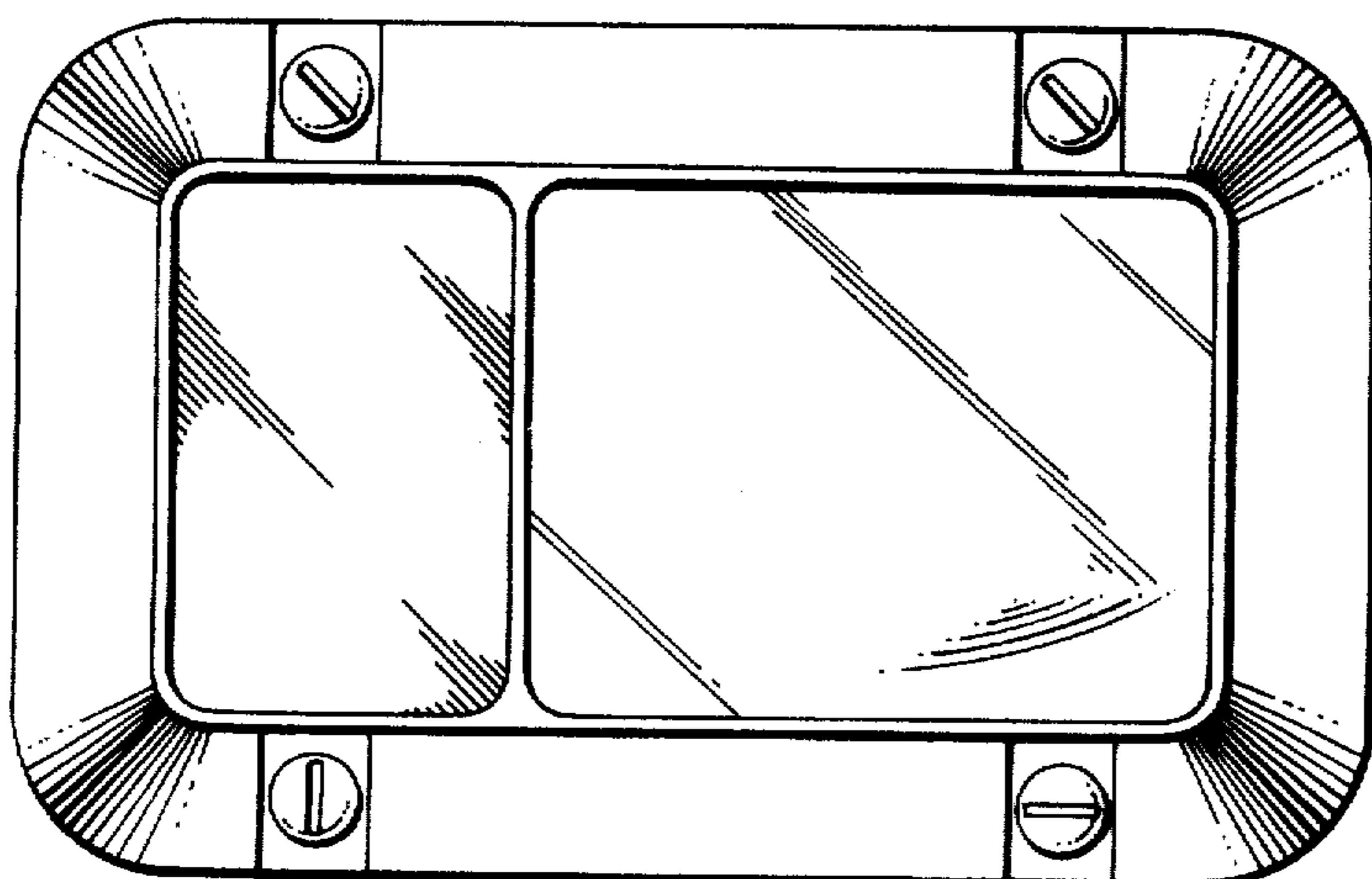


Fig. 2.

Fig. 3.



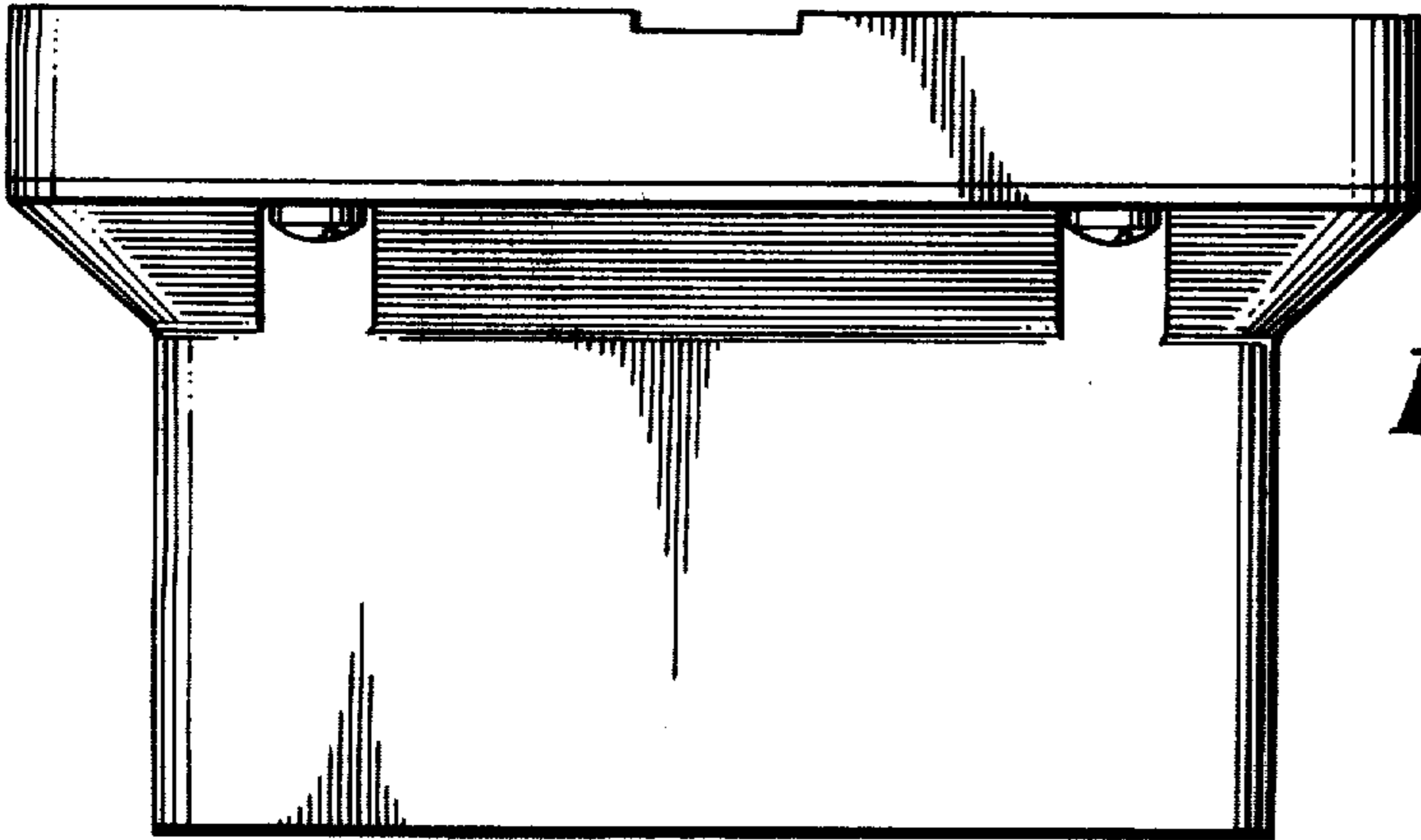


Fig. 4.

Fig. 5.

Fig. 7.

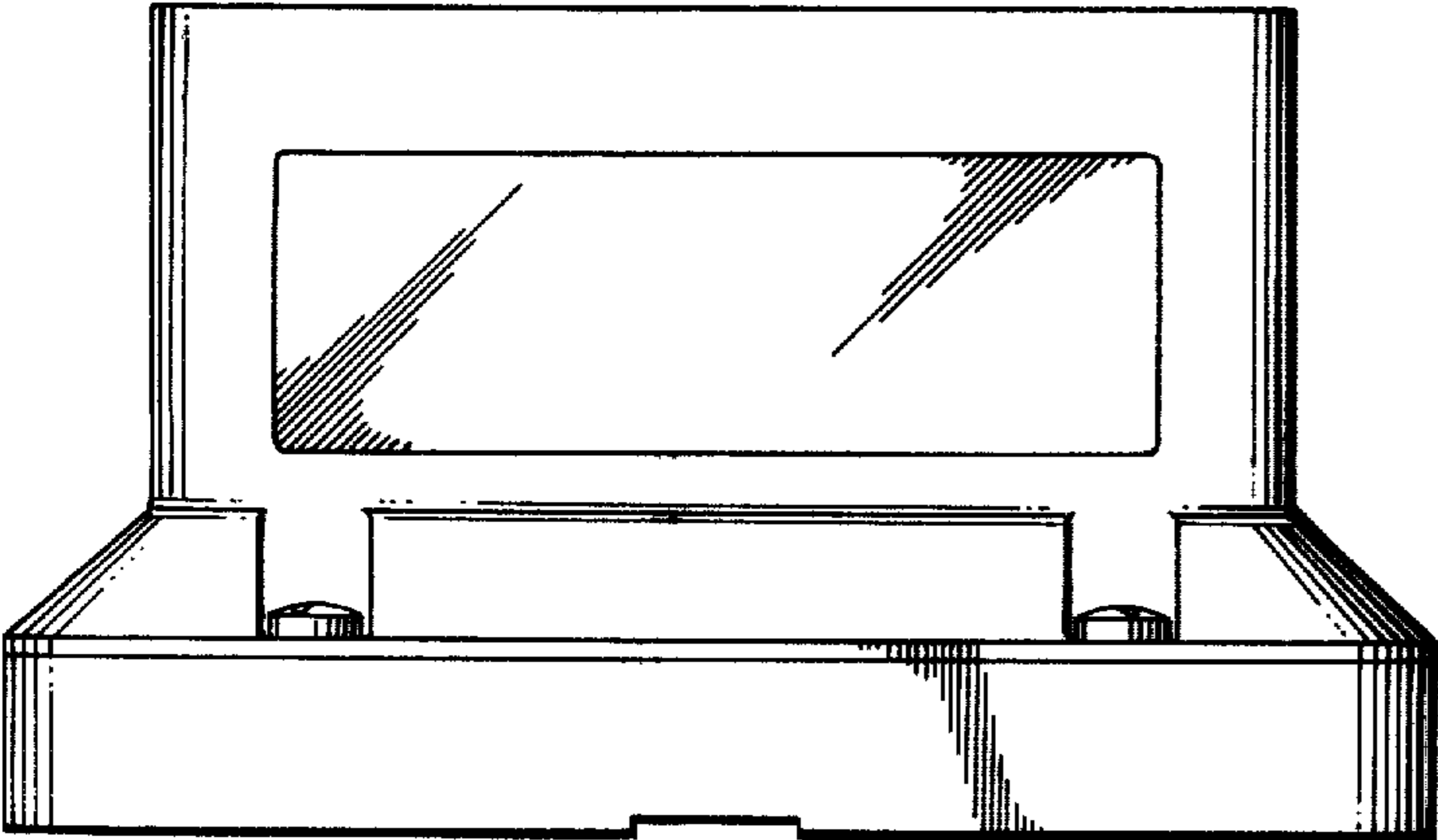
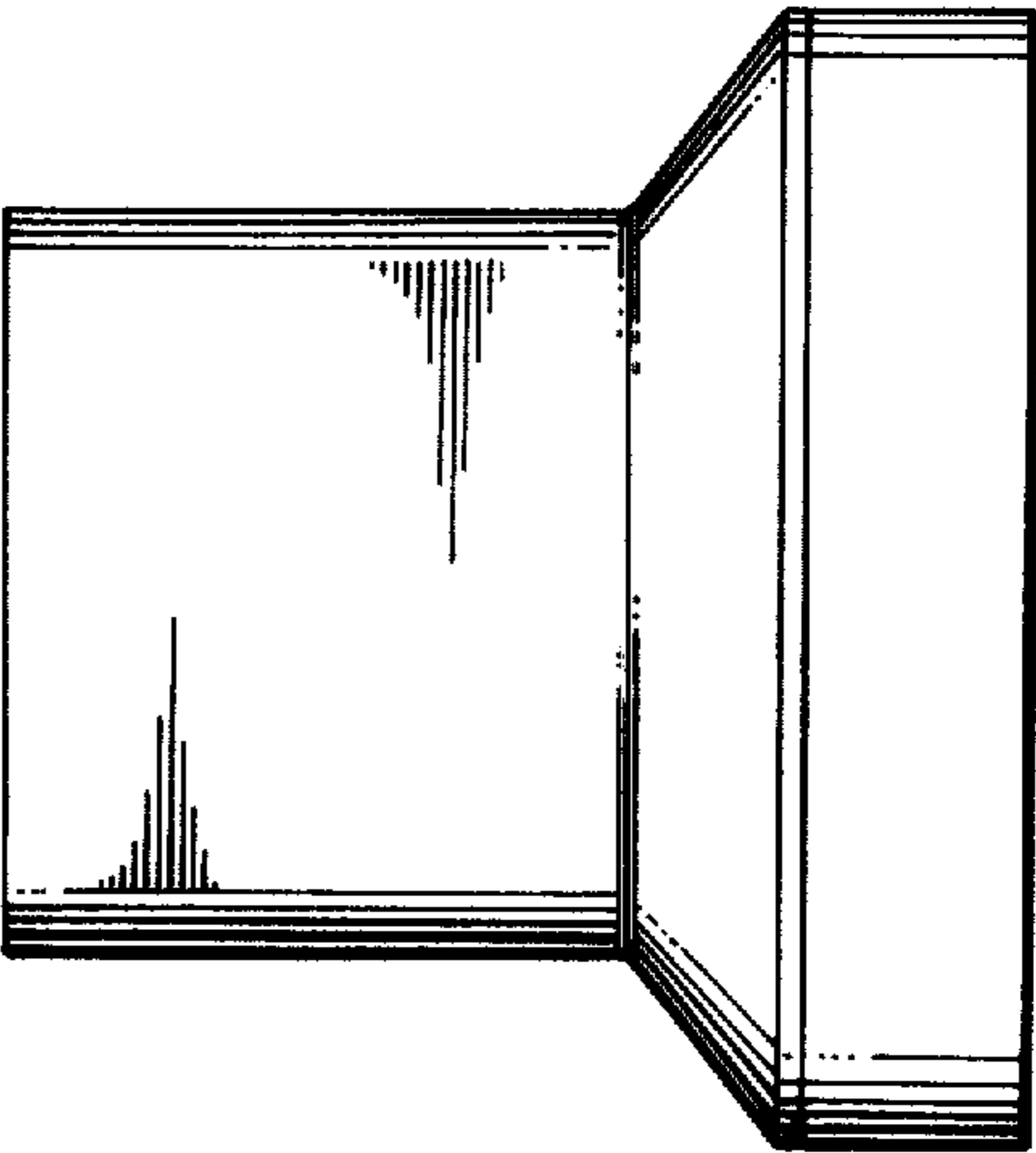
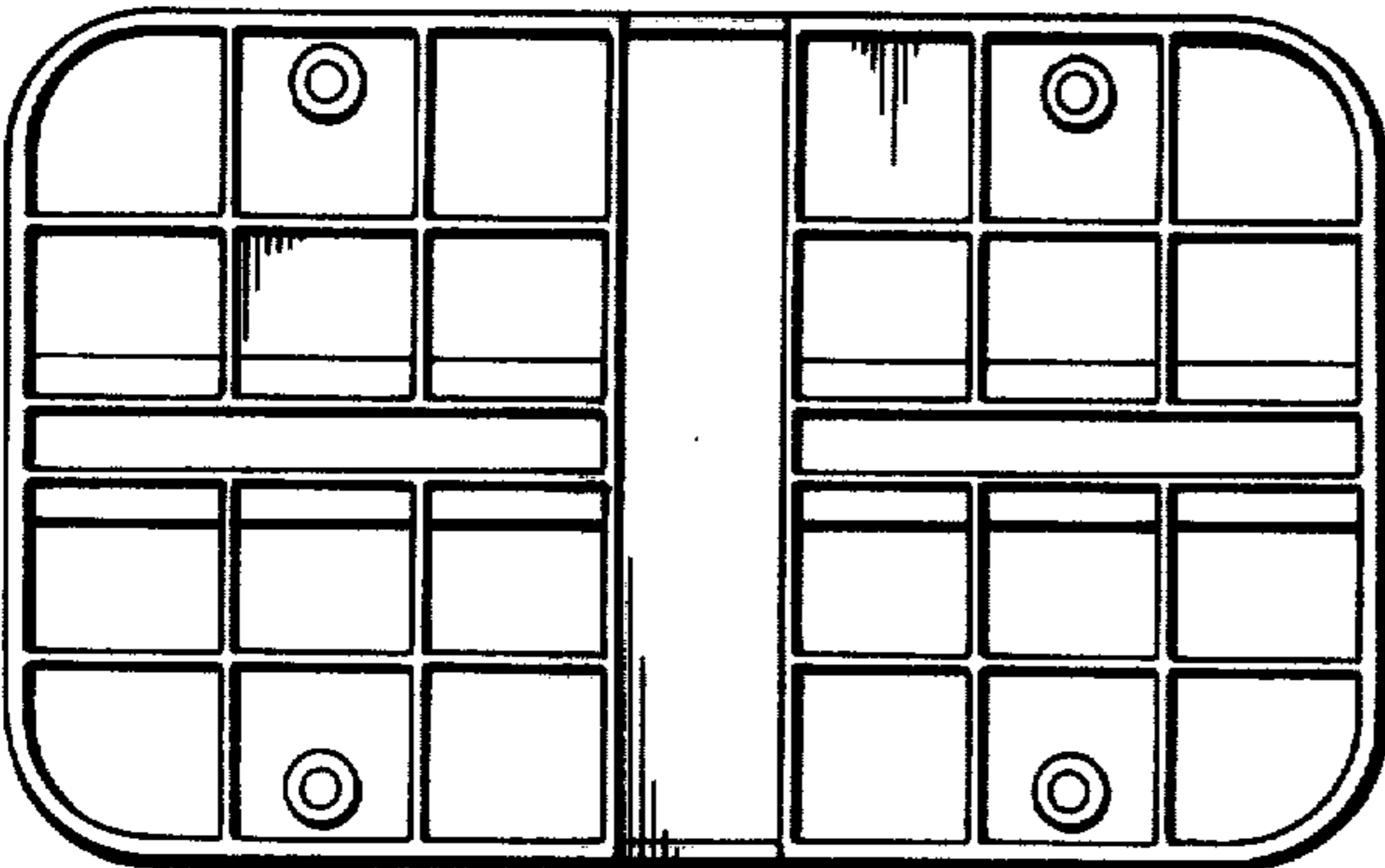


Fig. 6.