

[54] BATHTUB

[75] Inventor: Jeffrey Harrison, Brookhouse, England

[73] Assignee: Kallista Baths, Inc., San Francisco, Calif.

[**] Term: 14 Years

[21] Appl. No.: 208,803

[22] Filed: Nov. 20, 1980

[51] Int. Cl. D23-02
[52] U.S. Cl. D23/55
[58] Field of Search D23/48-57;
D24/38; 4/538, 546, 548, 552, 559, 560,
564-566, 571, 573, 578, 579, 584, 590, 592-597,
605, 611-614, 628, 654

[56]

References Cited

U.S. PATENT DOCUMENTS

D. 118,371	1/1940	Goeltz	D23 55/
D. 237,183	10/1975	Bonsack	D23/55
D. 237,184	10/1975	Rosenhaus	D23/55
D. 238,071	12/1975	Ganger	D23/55
D. 238,072	12/1975	Ganger	D23/55
D. 238,074	12/1975	Gruber	D23/55
D. 243,693	3/1977	Gruber	D23/55
D. 246,597	12/1977	Ridgeway	D23/55
1,940,514	12/1933	Steinkamp	D23/55 X

Primary Examiner—James R. Largen
Attorney, Agent, or Firm—James G. O'Neill

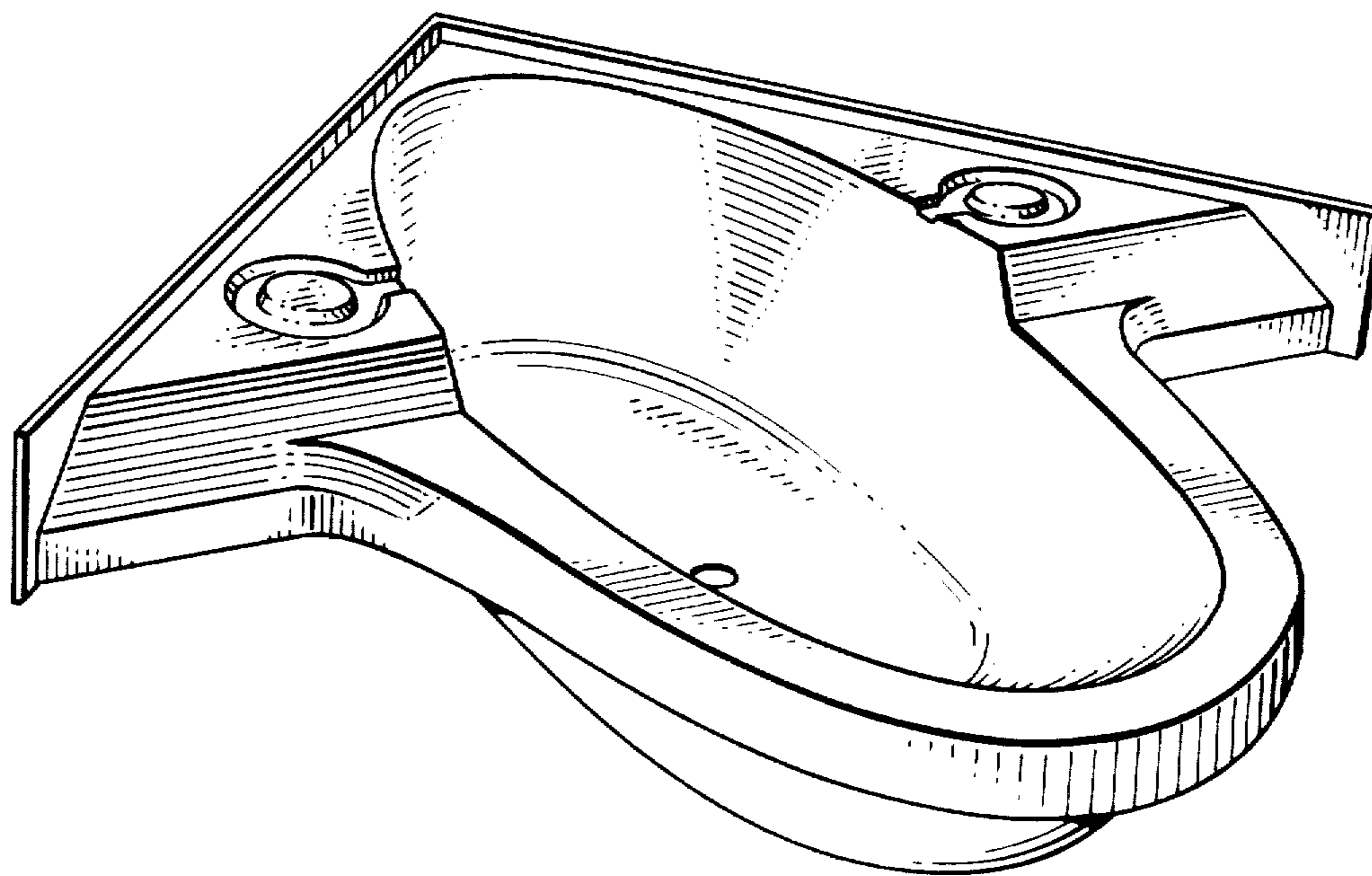
[57]

CLAIM

The ornamental design for a bathtub, as shown.

DESCRIPTION

FIG. 1 is a perspective view of a bathtub showing my new design;
FIG. 2 is a top plan view thereof;
FIG. 3 is a side elevational view thereof; and
FIG. 4 is a cross sectional view taken on line 4-4 of FIG. 3.



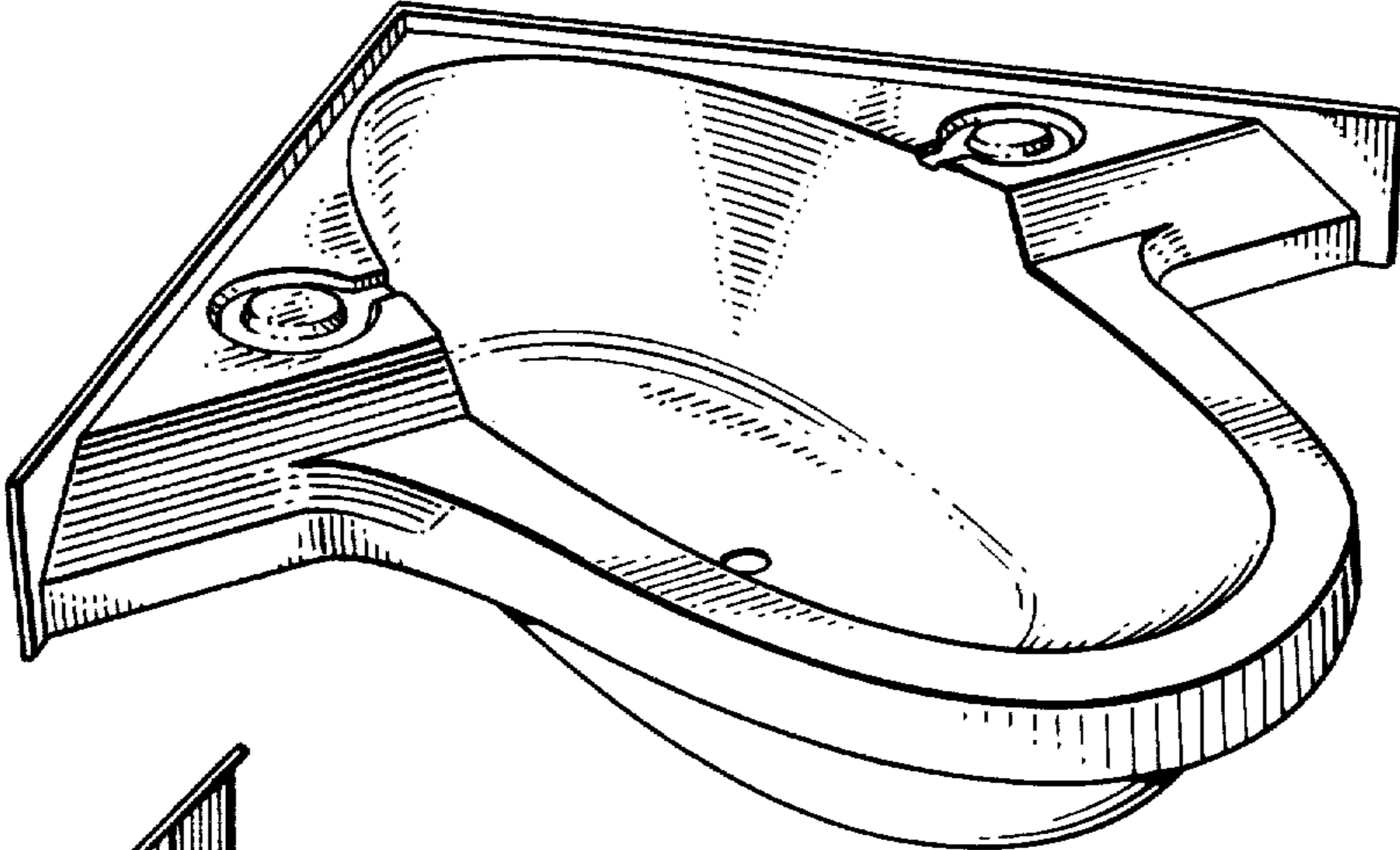


FIG. 1.

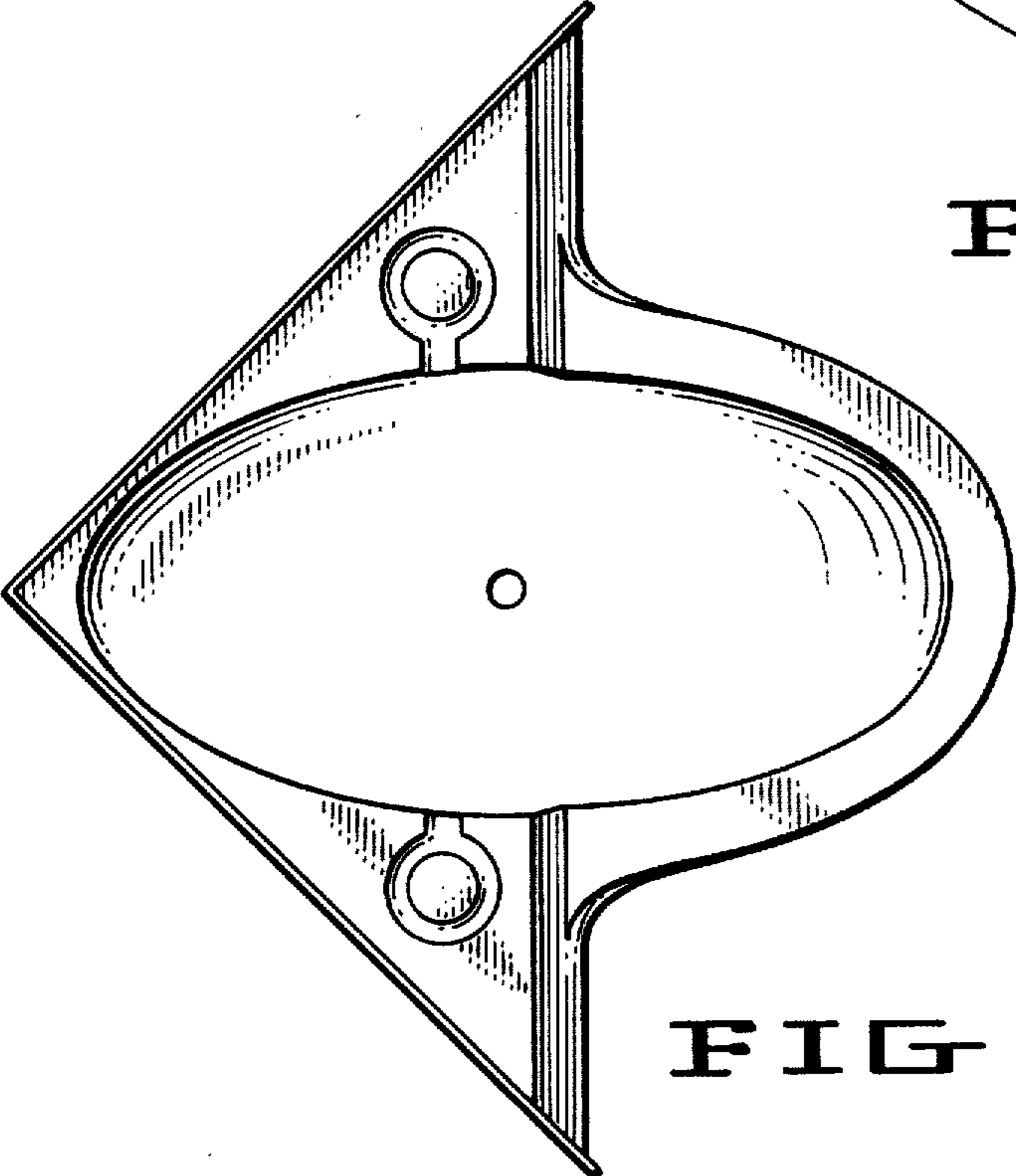


FIG. 2.

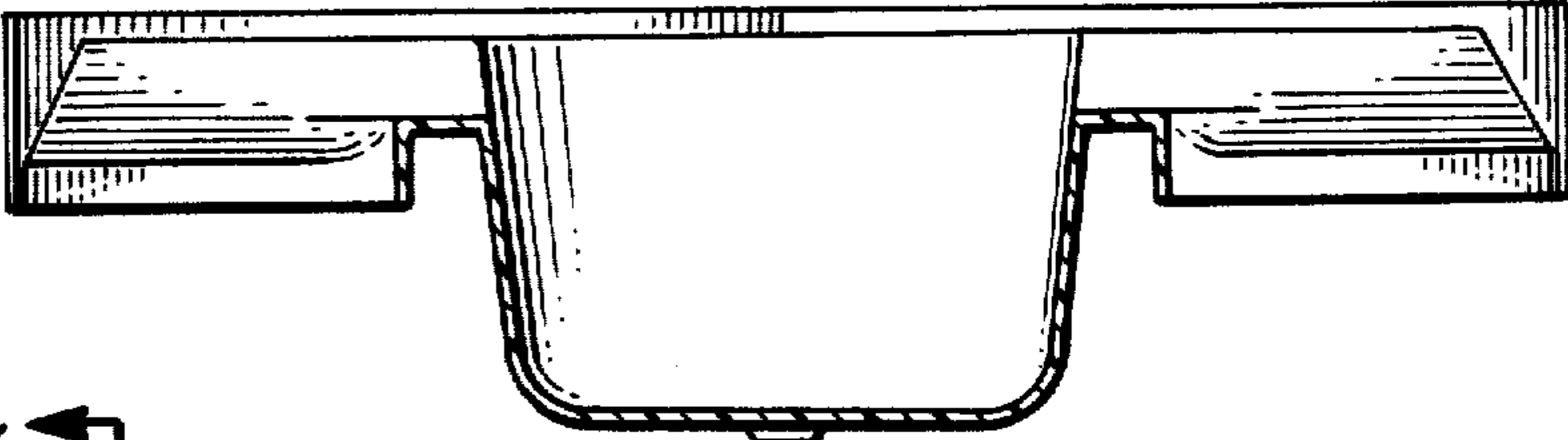


FIG. 4.

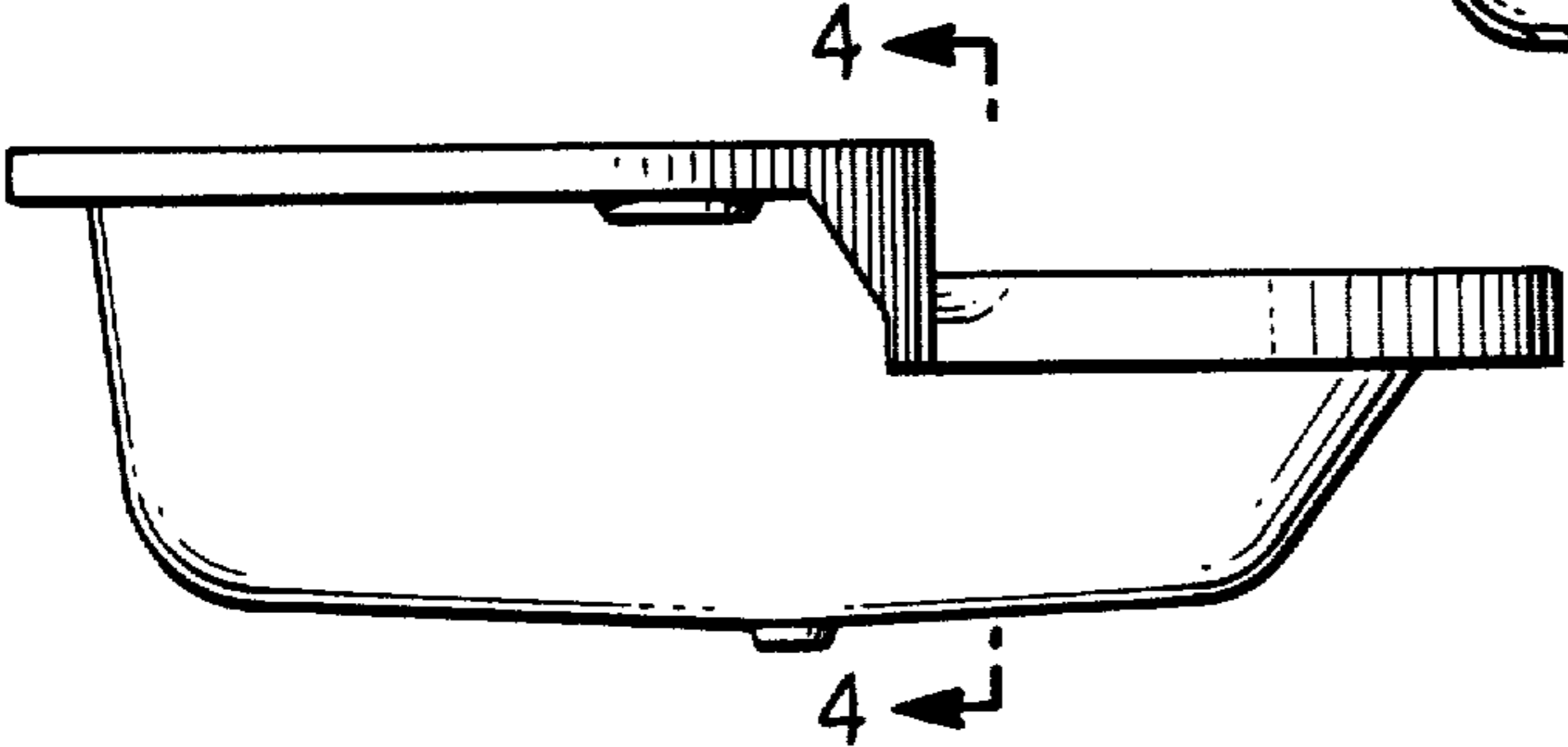


FIG. 3.