

[54] **SPOUT**
 [75] **Inventor: Bruce R. Thompson, Trarmer, Australia**
 [73] **Assignee: UPL Group Limited, Brisbane, Australia**
 [**] **Term: 14 Years**
 [21] **Appl. No.: 255,537**
 [22] **Filed: Apr. 20, 1981**
 [30] **Foreign Application Priority Data**
 Dec. 4, 1980 [AU] Australia 82769
 [51] **Int. Cl. D23-01**
 [52] **U.S. Cl. D23/32**
 [58] **Field of Search D23/23-32;**
 4/191, 192; 137/801

D. 219,740	1/1971	Niemann	D23/32
D. 227,467	6/1973	Genaro	D23/32
D. 235,546	6/1975	Landell	D23/32
D. 243,607	3/1977	Mono et al.	D23/32
2,367,809	1/1945	Stein et al.	137/801
2,790,632	4/1957	Mellette	137/801 X
4,037,624	7/1977	Turner et al.	137/801 X

OTHER PUBLICATIONS

Product Engineering, Nov. 11, 1963, p. 7, items Nos. 1-5.

Primary Examiner—James R. Largen
Attorney, Agent, or Firm—McDougall, Hersh & Scott

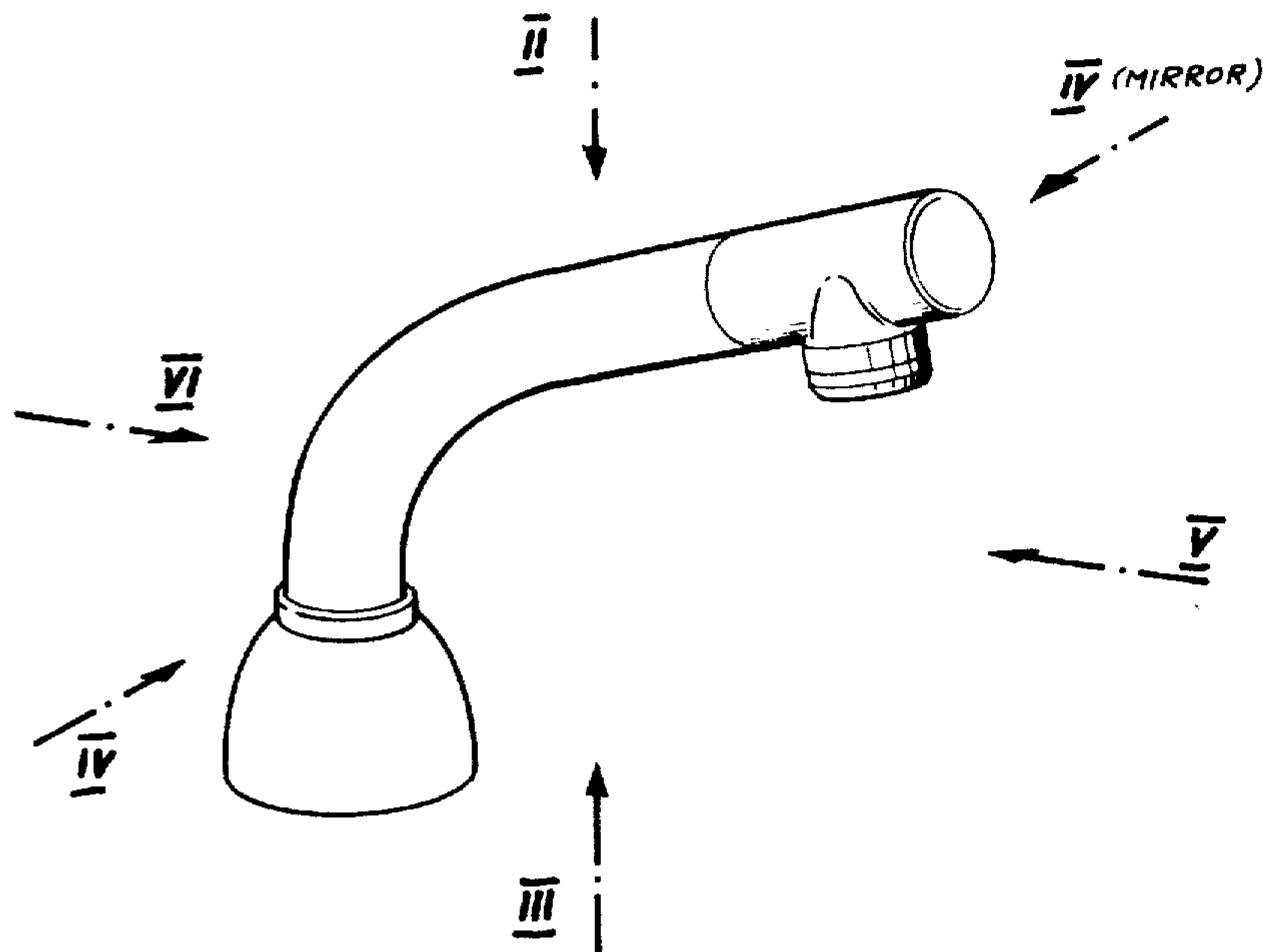
CLAIM

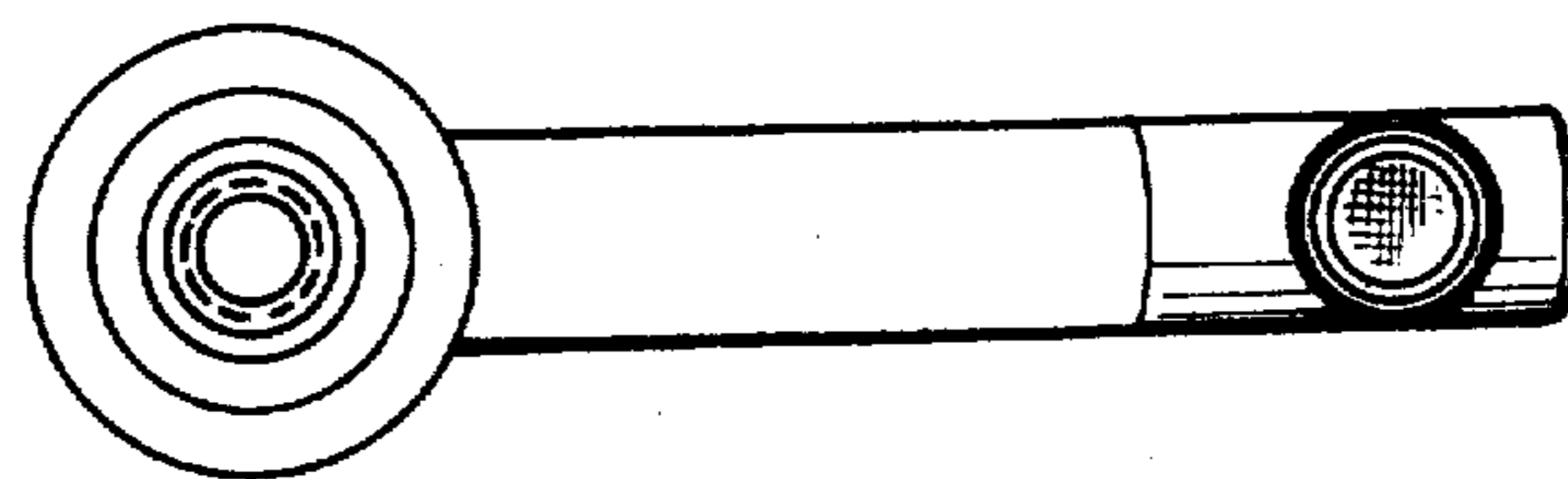
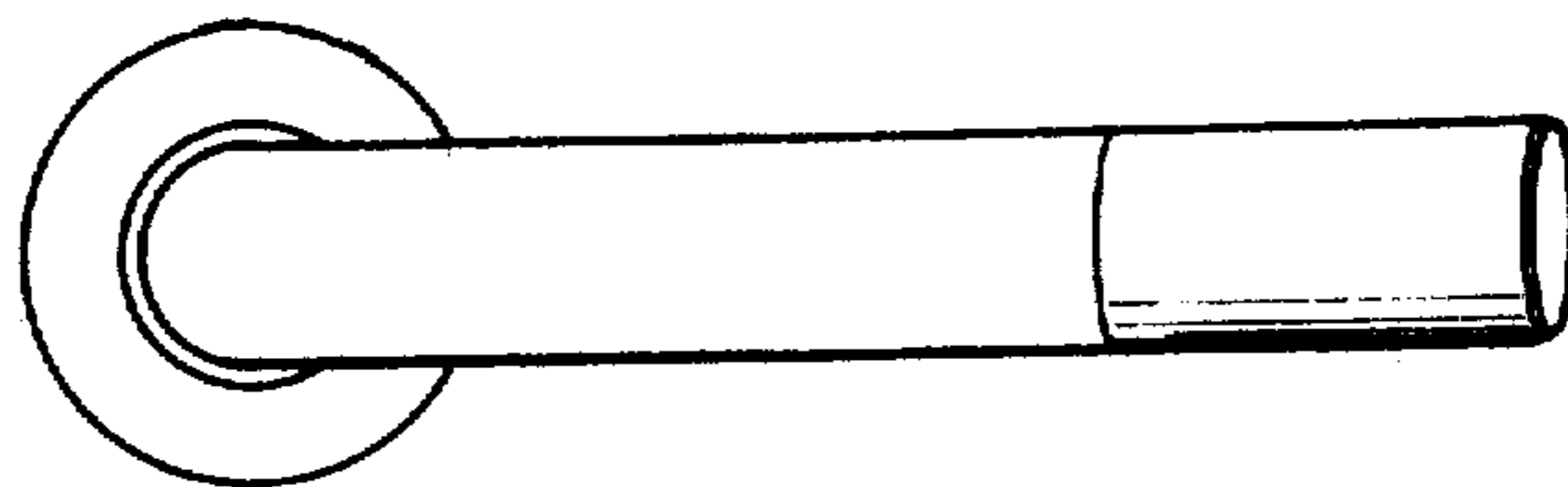
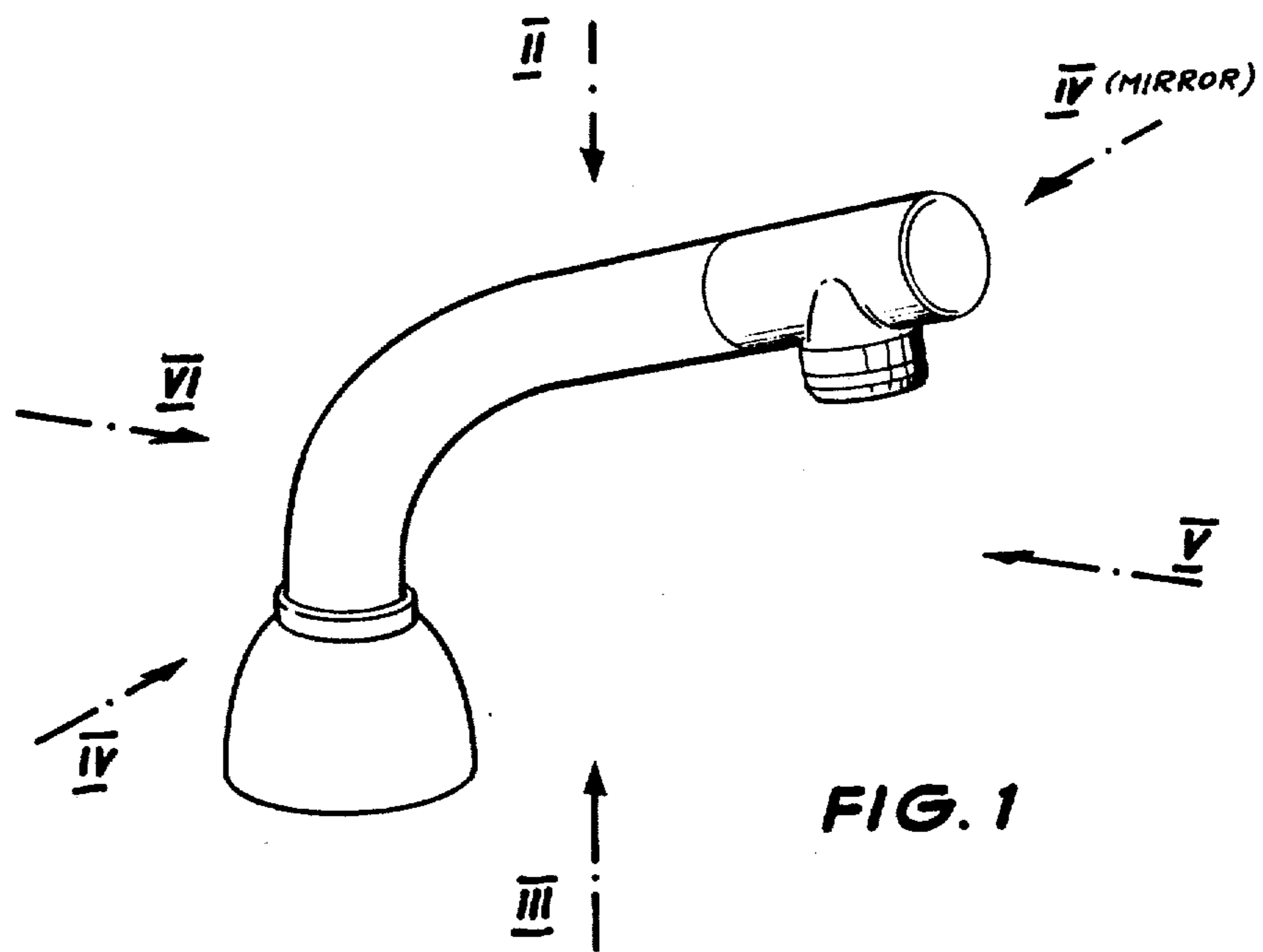
[57] The ornamental design for a spout, as shown.

DESCRIPTION

FIG. 1 is a front perspective view of a spout showing my new design;
 FIG. 2 is a top plan view thereof;
 FIG. 3 is a bottom plan view thereof;
 FIG. 4 is a side elevational view thereof;
 FIG. 5 is a front elevational view thereof; and
 FIG. 6 is a rear elevational view thereof.

[56] **References Cited**
U.S. PATENT DOCUMENTS
 D. 177,185 3/1956 Manville D23/23
 D. 187,845 5/1960 Kohler D23/32





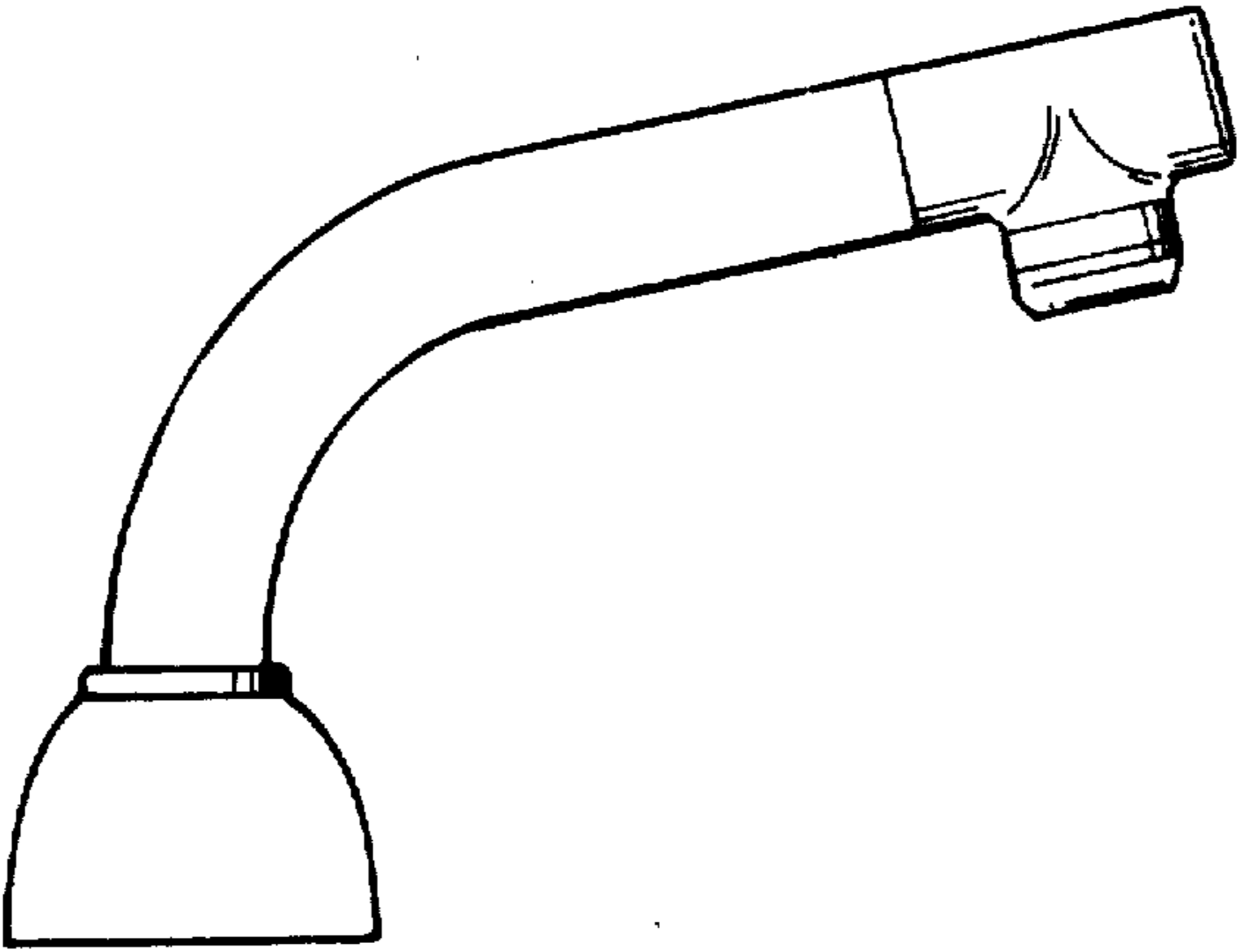


FIG. 4

FIG. 5

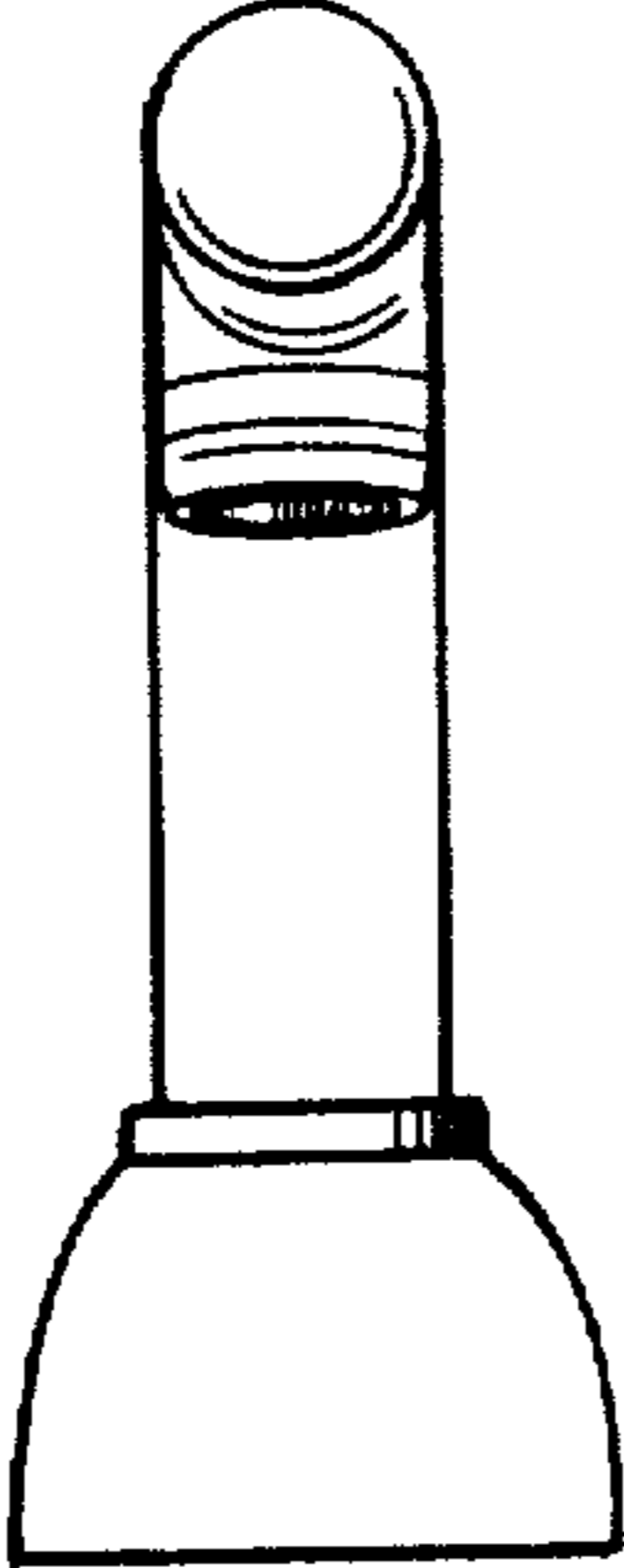


FIG. 6

