

[54] SPOUT

[75] Inventor: **Bruce R. Thompson**, Tranmere, Australia

[73] Assignee: **UPL Group Limited**, Brisbane, Australia

[**] Term: **14 Years**

[21] Appl. No.: **255,533**

[22] Filed: **Apr. 20, 1981**

[30] Foreign Application Priority Data
 Nov. 20, 1980 [AU] Australia 82662

[51] Int. Cl. **D23-01**

[52] U.S. Cl. **D23/32**

[58] Field of Search **D23/23-32;**
 4/191, 192; 137/801

D. 219,740 1/1971 Niemann D23/32

D. 227,467 6/1973 Genaro D23/32

D. 235,546 6/1975 Landell D23/32

D. 243,607 3/1977 Mono et al. D23/32

2,367,809 1/1945 Stein et al. 137/801

2,790,632 4/1957 Mellette 137/801 X

4,037,624 7/1977 Turner et al. 137/801 X

OTHER PUBLICATIONS

Product Engineering, Nov. 11, 1963, p. 7, items Nos. 1-5.

Primary Examiner—James R. Largen
 Attorney, Agent, or Firm—McDougall, Hersh & Scott

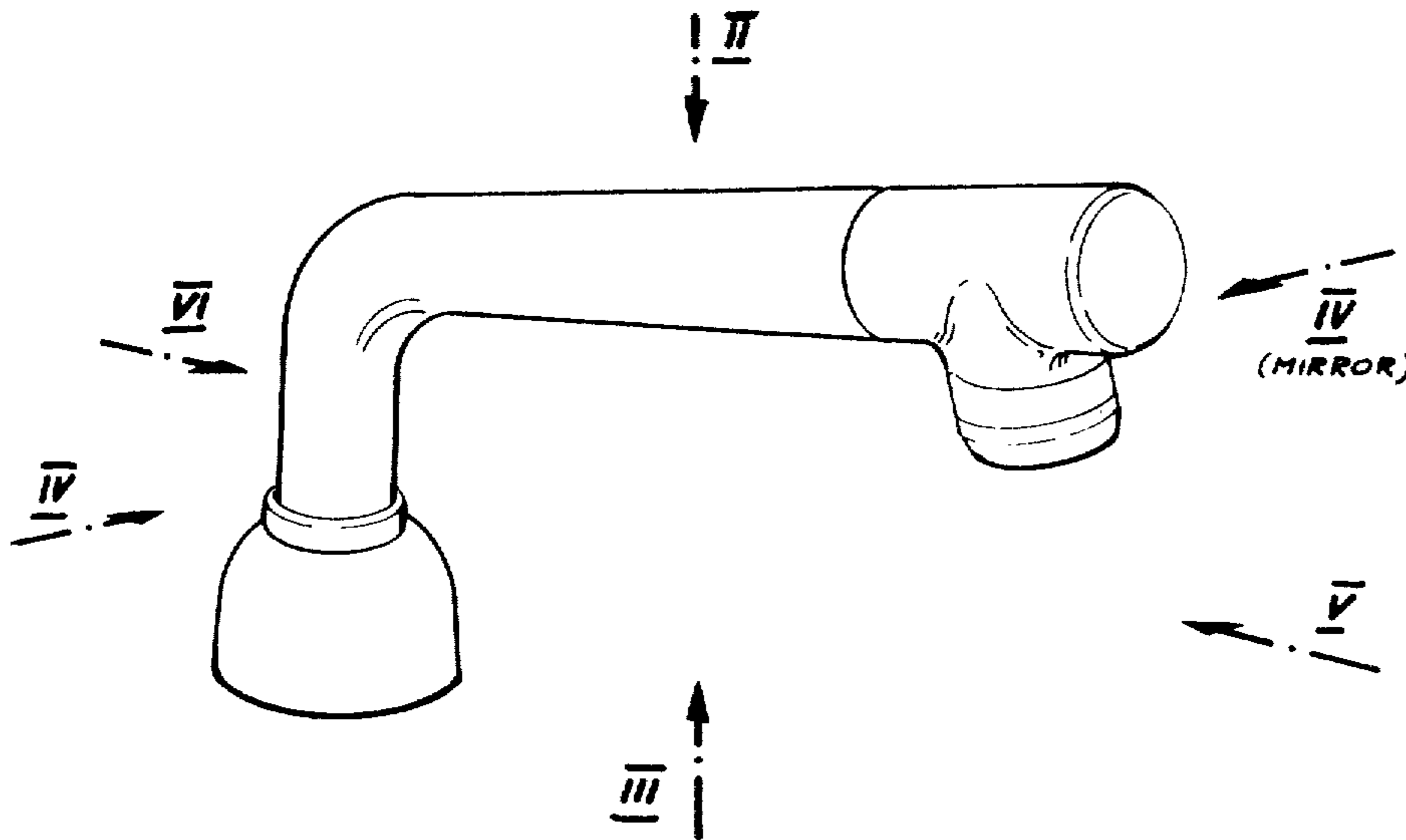
[57] **CLAIM**

The ornamental design for a spout, as shown.

DESCRIPTION

FIG. 1 is a front perspective view of a spout showing my new design;
 FIG. 2 is a top plan view thereof;
 FIG. 3 is a bottom plan view thereof;
 FIG. 4 is a side elevational view thereof;
 FIG. 5 is a front elevational view thereof; and
 FIG. 6 is a rear elevational view thereof.

[56] **References Cited**
U.S. PATENT DOCUMENTS
 D. 177,185 3/1956 Manville D23/23
 D. 187,845 5/1960 Kohler D23/32



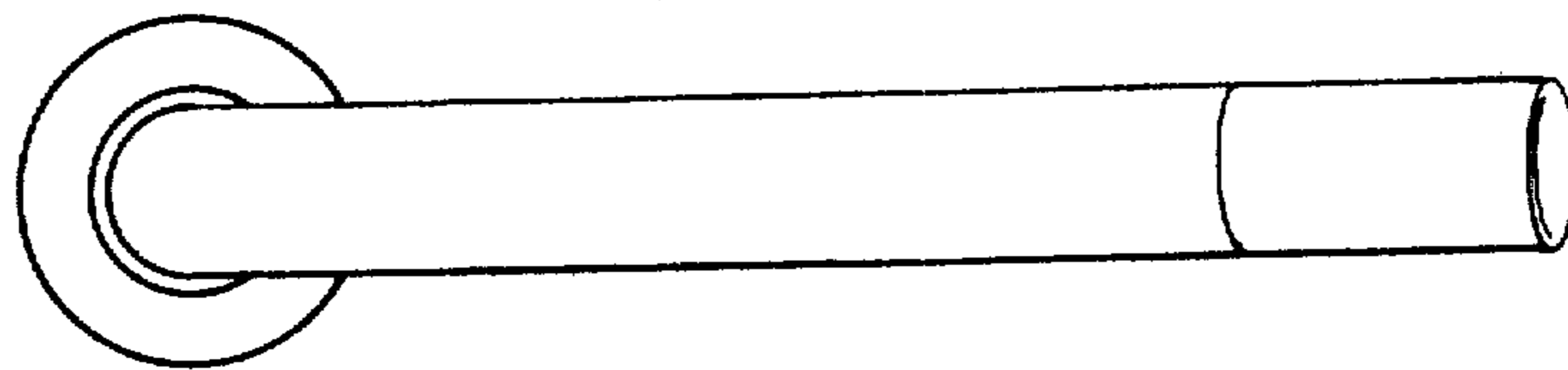
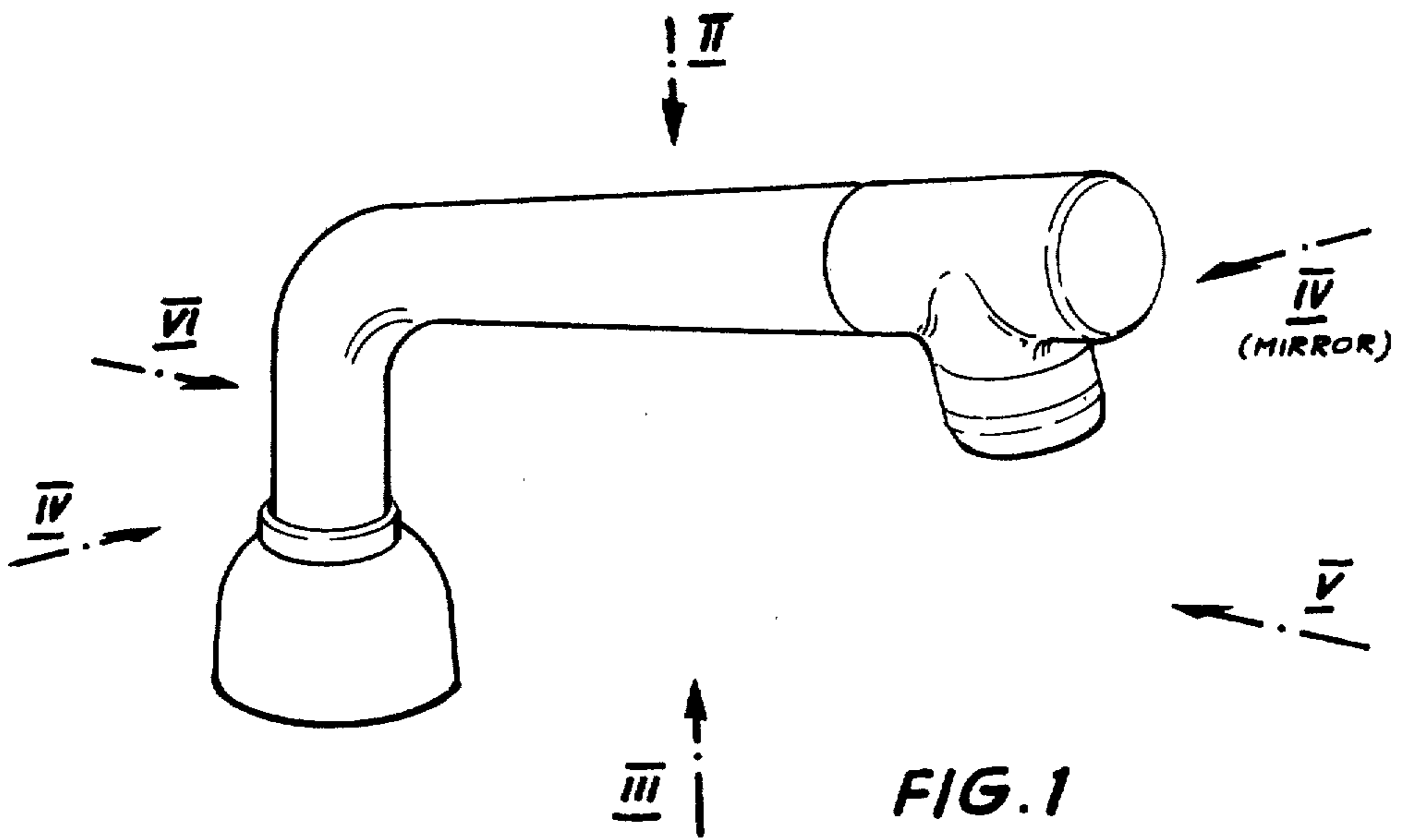


FIG. 2

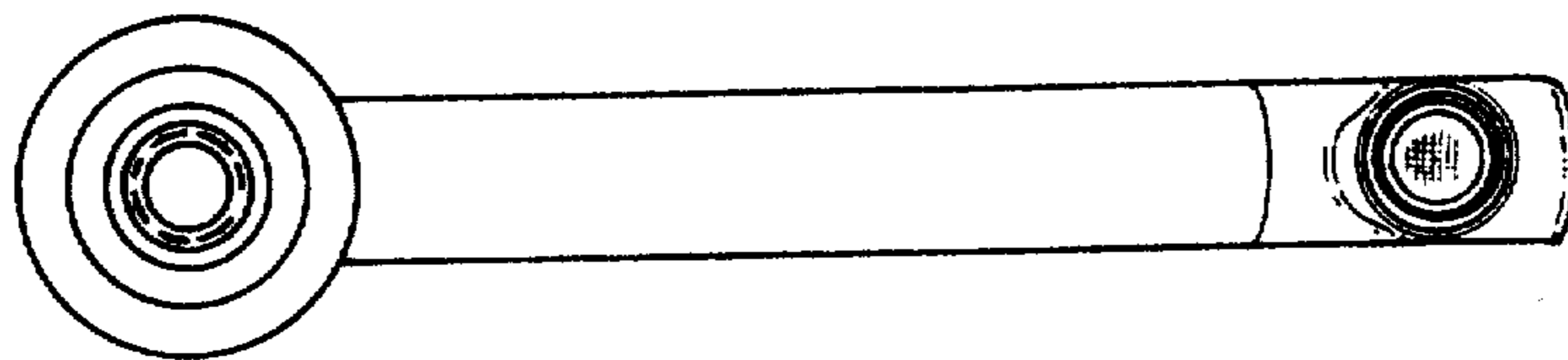


FIG. 3

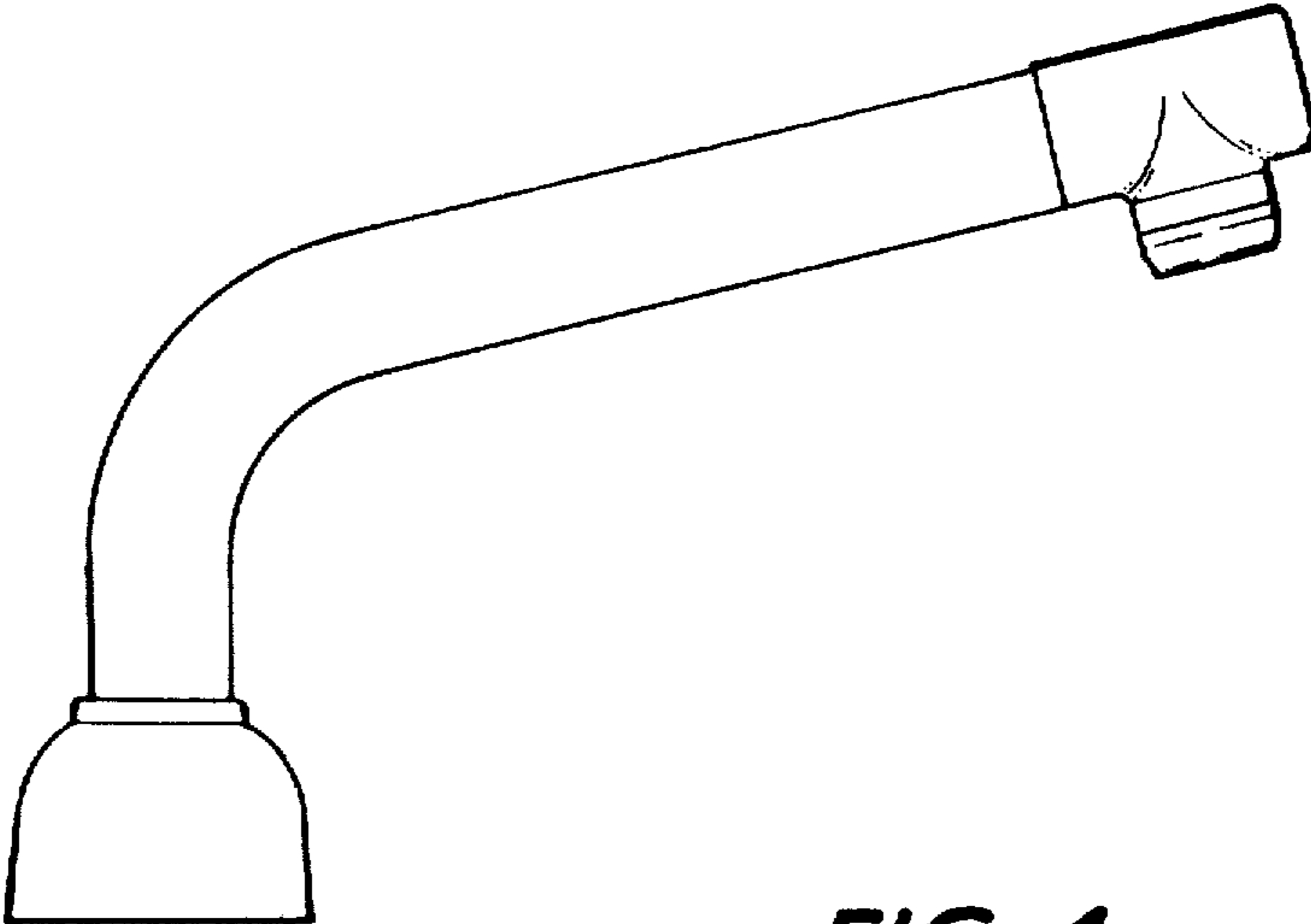


FIG. 4

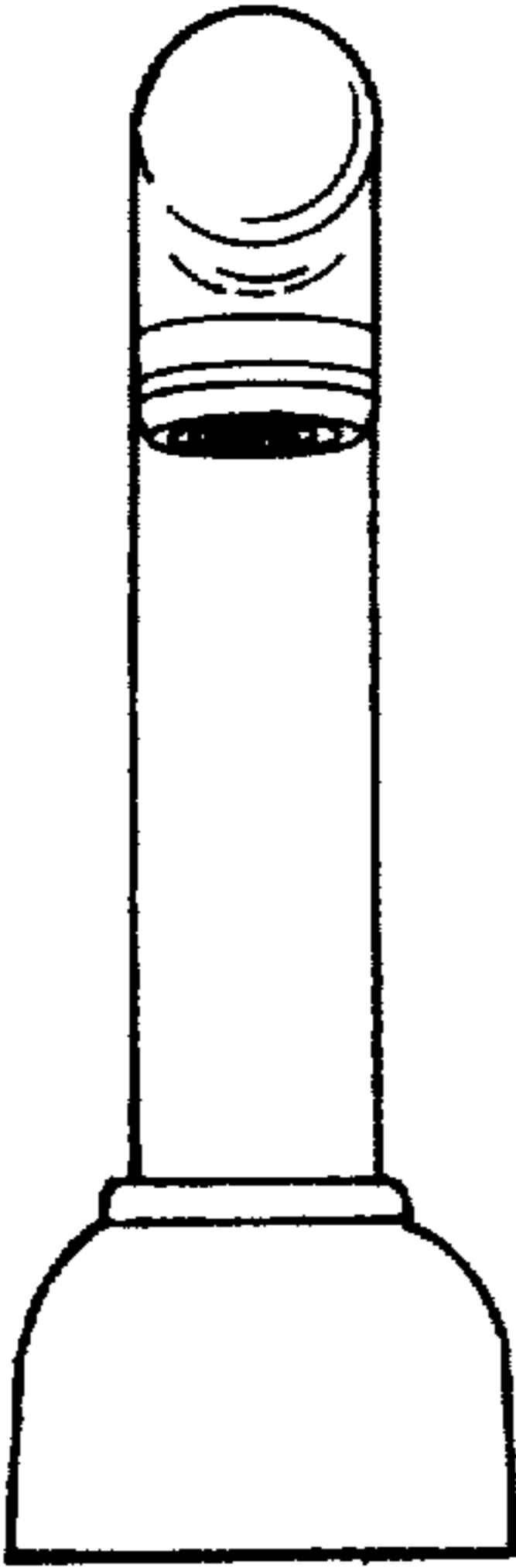


FIG. 5

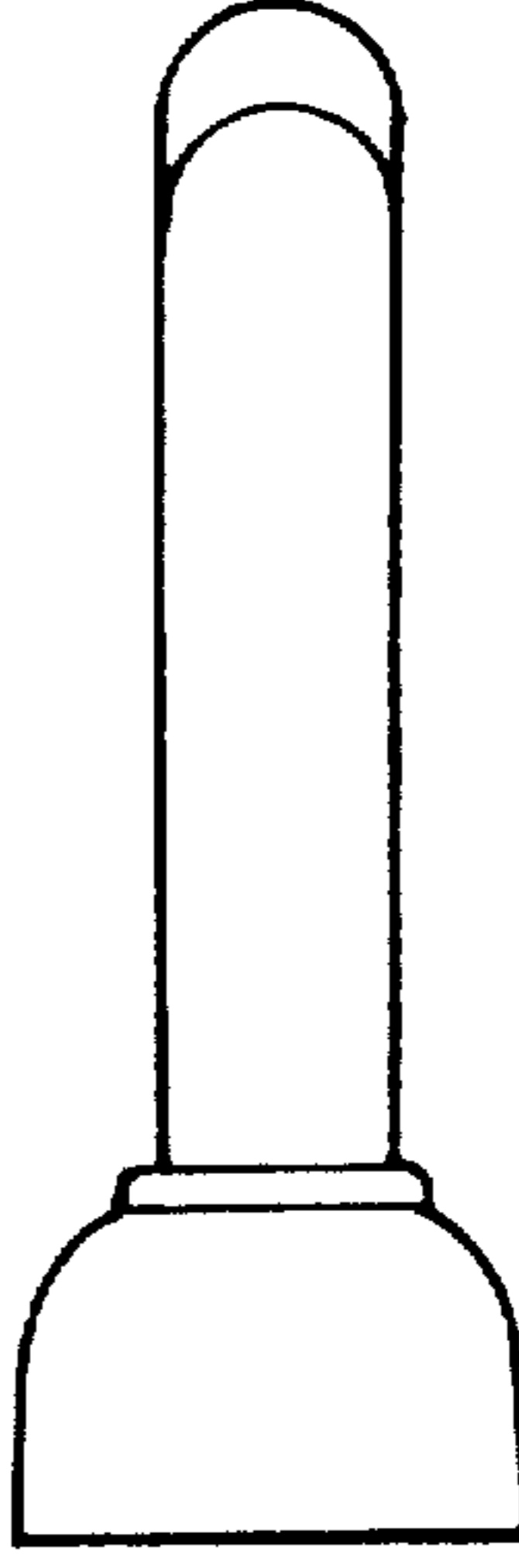


FIG. 6