

[54] **COMBINED VALVE ASSEMBLY AND FRAME HEAD FOR THE TRANSPORT AND HANDLING OF GAS CYLINDERS**

[75] Inventor: **Bengt G. Winqvist, Esbo, Finland**

[73] Assignee: **AGA Aktiebolag, Lidingo, Sweden**

[**] Term: **14 Years**

[21] Appl. No.: **151,753**

[22] Filed: **May 20, 1980**

[51] Int. Cl. **D23-01**

[52] U.S. Cl. **D23/20; D34/28**

[58] Field of Search **D34/28, 38, 21; D23/19, D23/20, 21, 22, 40, 43; 108/55.1, 55.3; 206/386, 596, 598, 446; 211/71; 220/85 F**

[56] **References Cited**

U.S. PATENT DOCUMENTS

2,317,064 4/1943 Josephian 211/71
2,404,513 7/1946 McCabe 211/71

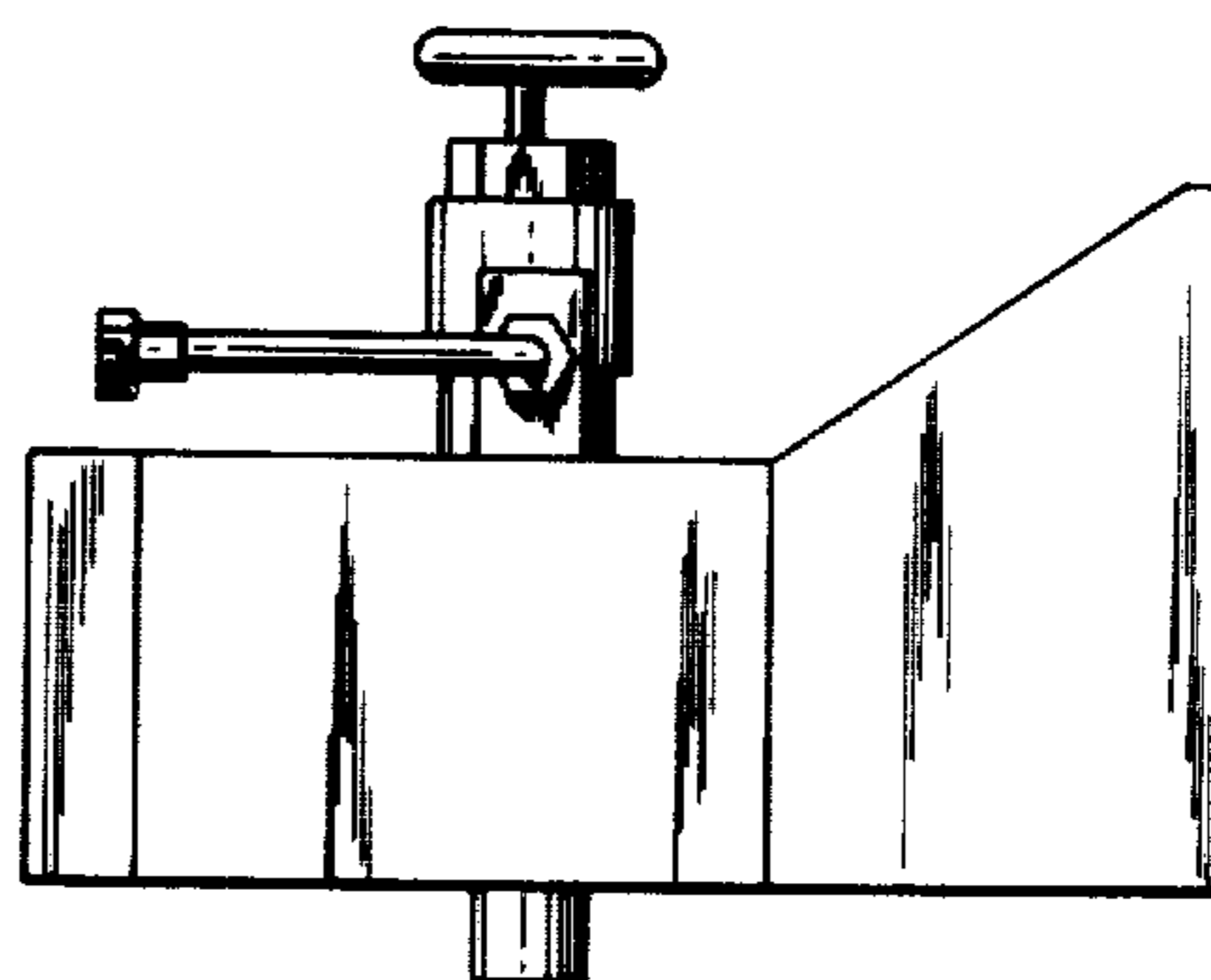
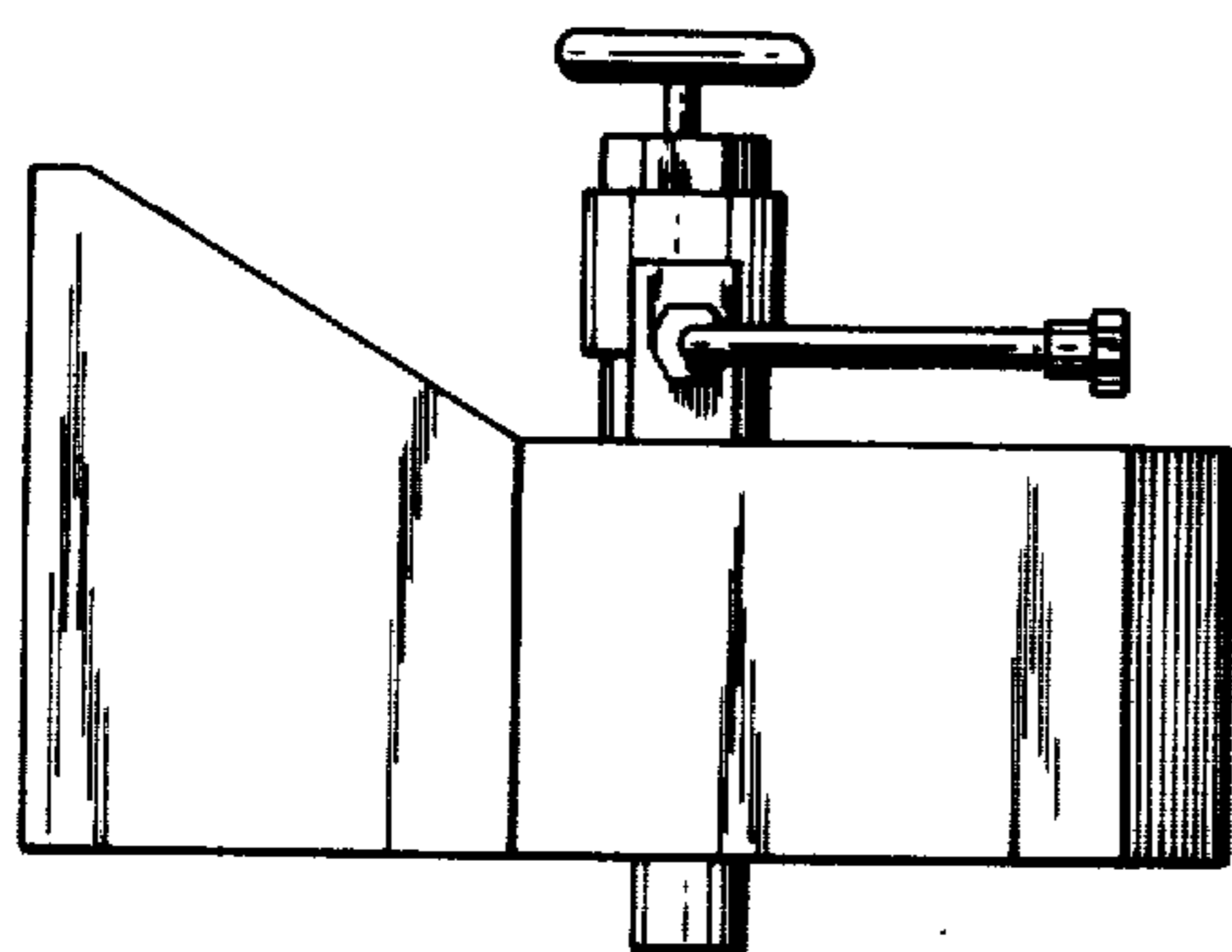
Primary Examiner—James M. Gandy
Attorney, Agent, or Firm—Larson & Taylor

[57] **CLAIM**

The ornamental design for a combined valve assembly and frame head for the transport and handling of gas cylinders, as shown.

DESCRIPTION

FIG. 1 is a front elevation view of a combined valve assembly and frame head for the transport and handling of gas cylinders showing my new design; FIG. 2 is a rear elevation view thereof; FIG. 3 is a left side elevation view thereof; FIG. 4 is a right side elevation view thereof; FIG. 5 is a top plan view thereof; and FIG. 6 is a bottom plan view thereof.



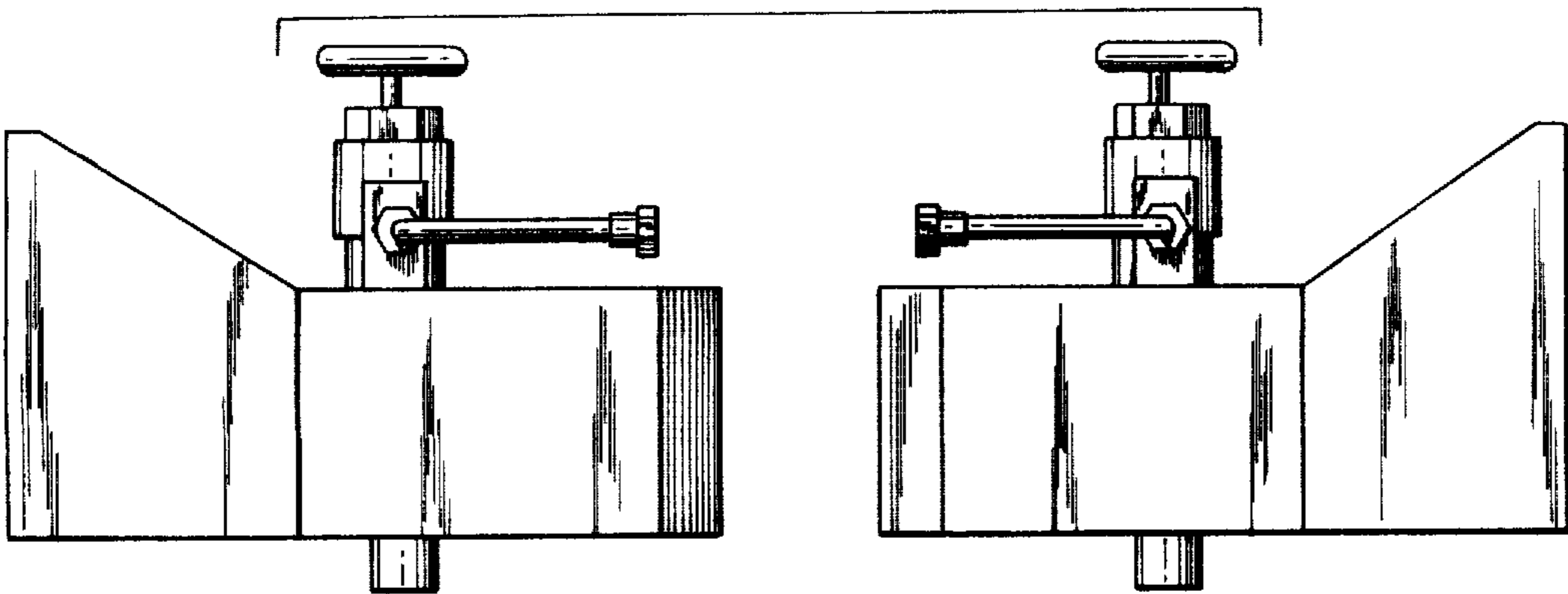


FIG. 1

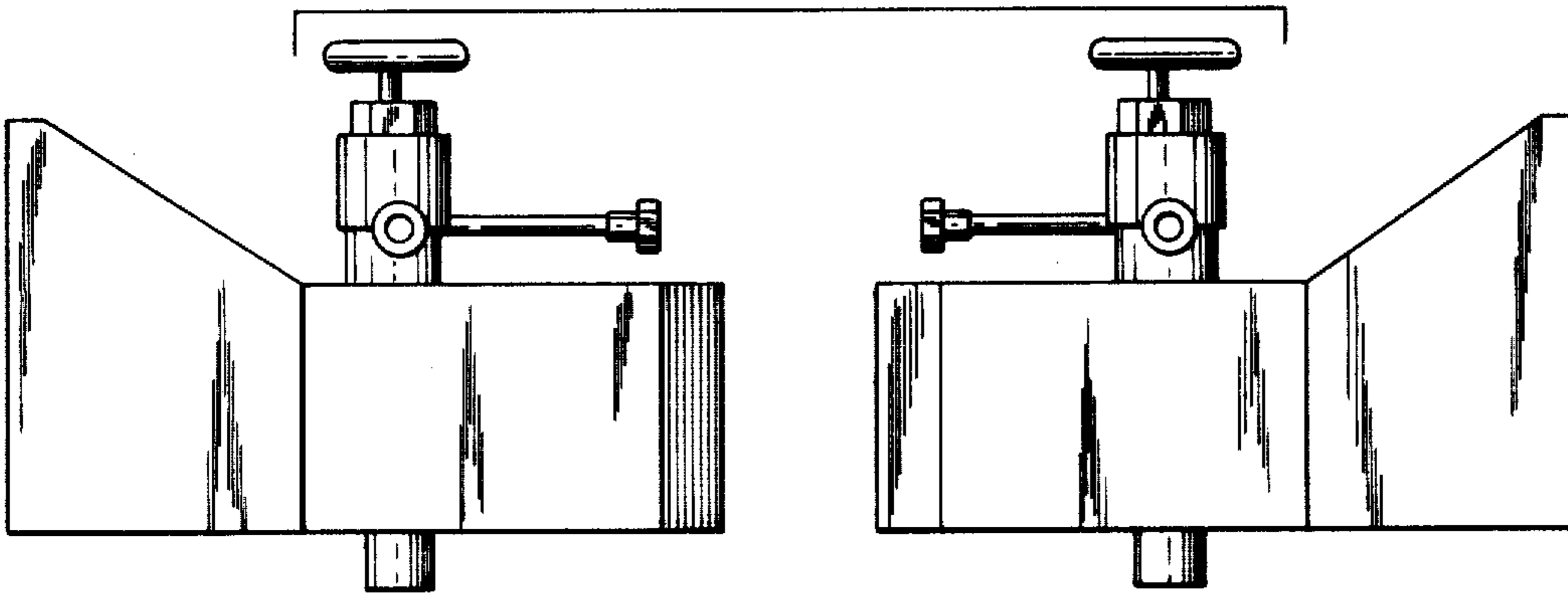


FIG. 2

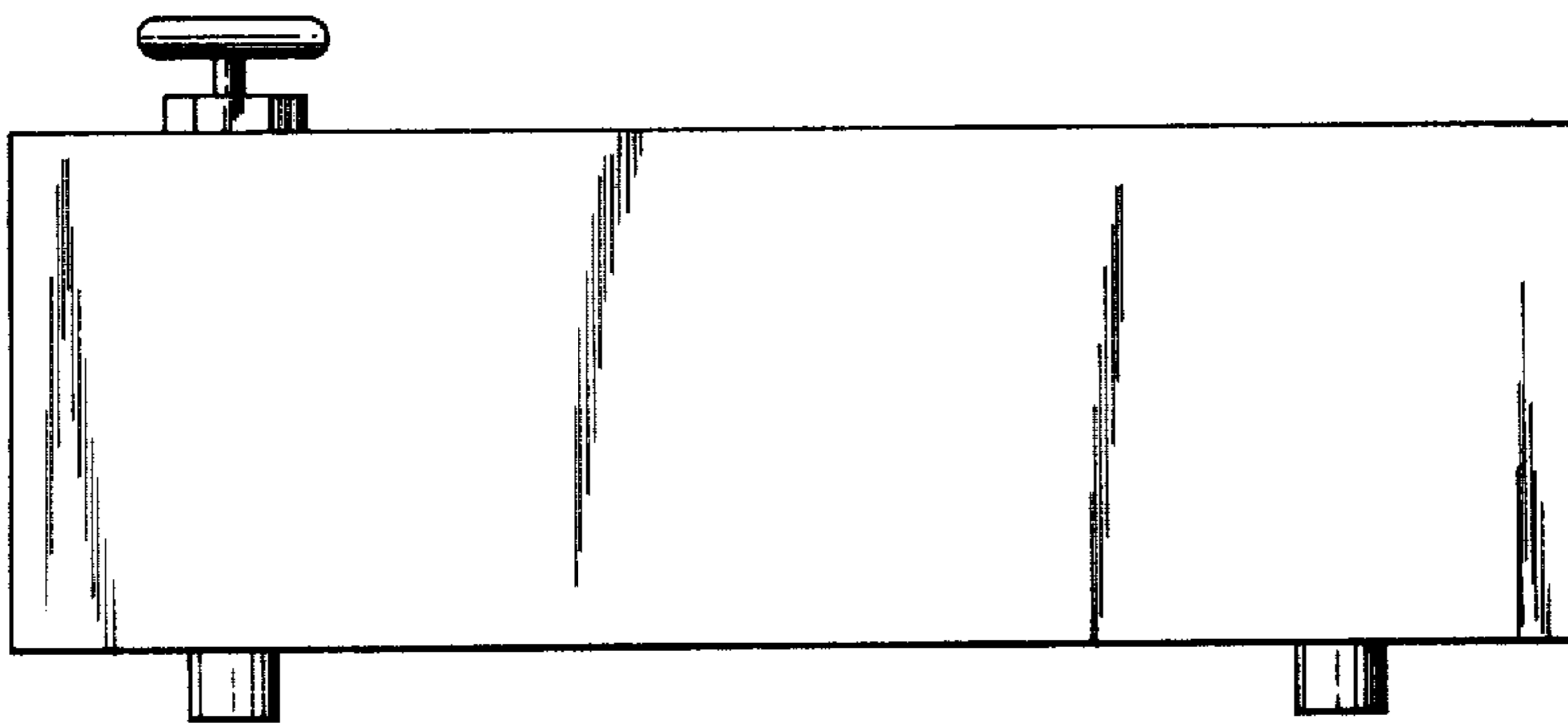


FIG. 3

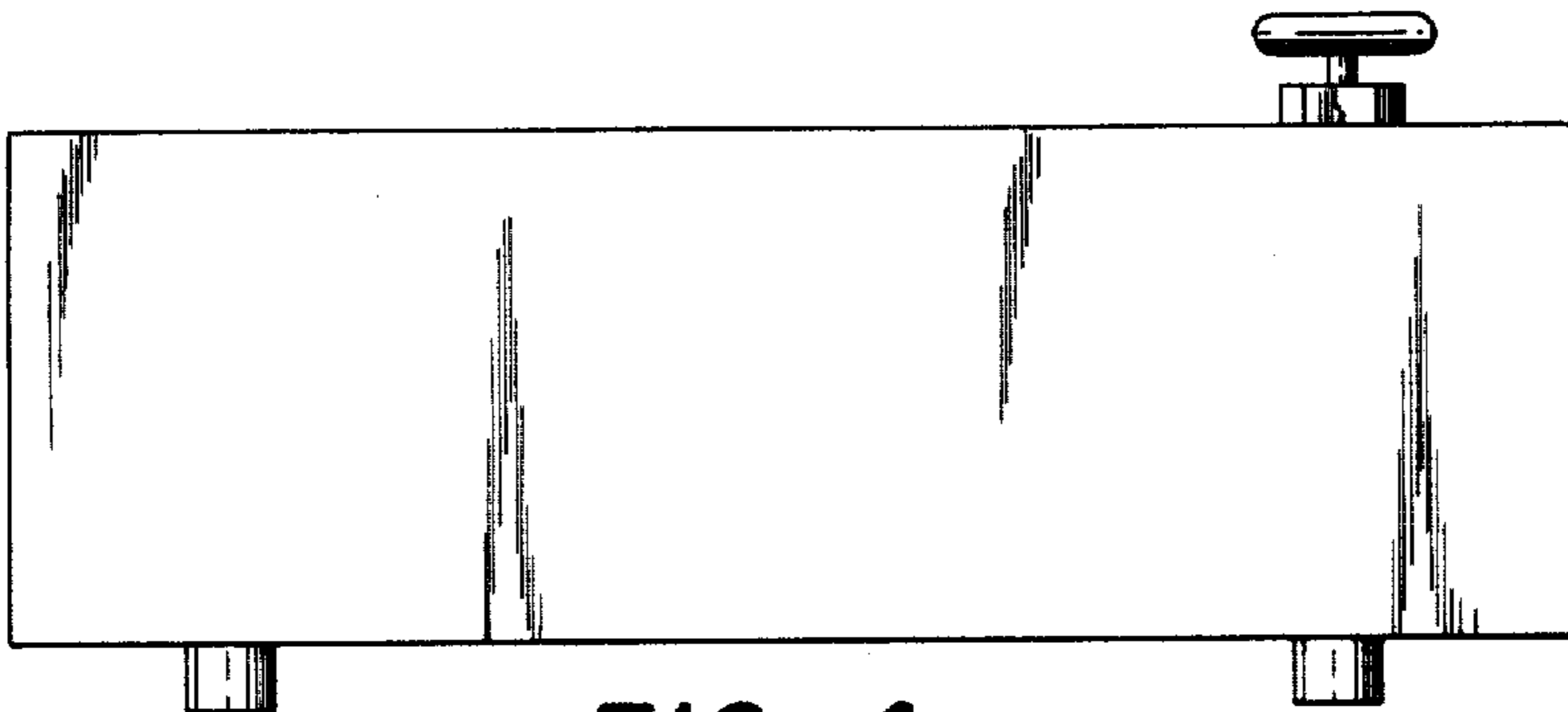


FIG. 4

