

[54] TELEPHONE ATTACHMENT

[76] Inventors: **Dallas C. Fox**, 4802 Old Springfield Rd., Vandalia, Ohio 45377; **Richard J. Raterman**, 209 Oakview Dr., Kettering, Ohio 45429

[**] Term: **14 Years**

[21] Appl. No.: **177,202**

[22] Filed: **Aug. 11, 1980**

[51] Int. Cl. **D14—99**

[52] U.S. Cl. **D14/59; D6/184; D14/60**

[58] Field of Search **D14/59, 60; D6/184; 248/441 B; 40/336; 179/179, 178, 146 R; D19/20, 26**

[56] **References Cited**

U.S. PATENT DOCUMENTS

D. 185,111	5/1959	Yerace et al.	D27/15
D. 185,453	6/1959	McCracken	D14/59
D. 186,111	9/1959	Ostrie	D14/59
D. 229,757	1/1974	Hansen	D14/59
D. 249,514	9/1978	Loeb	D14/59
D. 259,879	7/1981	Pearl	D14/59 X
D. 261,265	10/1981	Leopoldi	D14/59
3,272,531	9/1966	Krauth, Jr.	281/15
3,469,336	9/1969	Halperin	40/336
3,806,164	4/1974	Babensee	281/15 B
4,120,107	10/1978	Bukowsky	40/336
4,192,425	3/1980	Landau et al.	211/50

Primary Examiner—Bernard Ansher

Attorney, Agent, or Firm—Dybvig & Dybvig

[57] **CLAIM**

The ornamental design for a telephone attachment, as shown and described.

DESCRIPTION

FIG. 1 is a perspective view of a telephone attachment embodying our design, and showing a telephone instrument in broken lines;

FIG. 2 is a side elevational view thereof as viewed from the right side of FIG. 1, also showing a telephone instrument in broken lines;

FIG. 3 is a front elevational view thereof as viewed from the left side of FIG. 2;

FIG. 4 is a side elevational view thereof as viewed from the left side of FIG. 3;

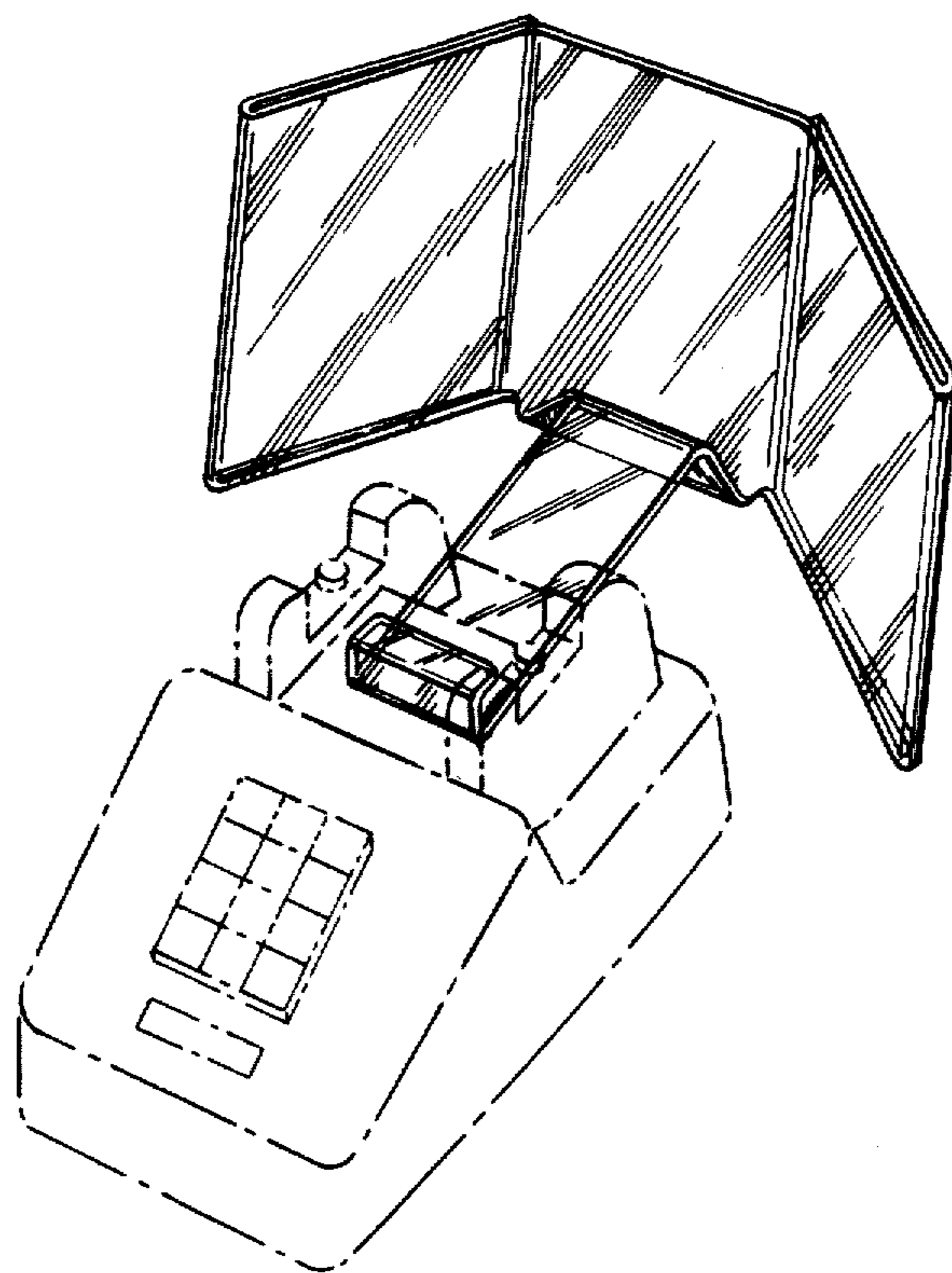
FIG. 5 is a rear elevational view thereof as viewed from the right side of FIG. 2;

FIG. 6 is a side elevational view thereof as viewed from the left side of FIG. 5 and is identical to FIG. 2 except that the showing of a telephone is not included in FIG. 6;

FIG. 7 is a plan view thereof as viewed from the top of FIG. 3;

FIG. 8 is a plan view thereof as viewed from the bottom of FIG. 3.

The several figures are shaded to show that the telephone attachment is transparent. The broken line showing of a telephone instrument is for illustrative purposes only.



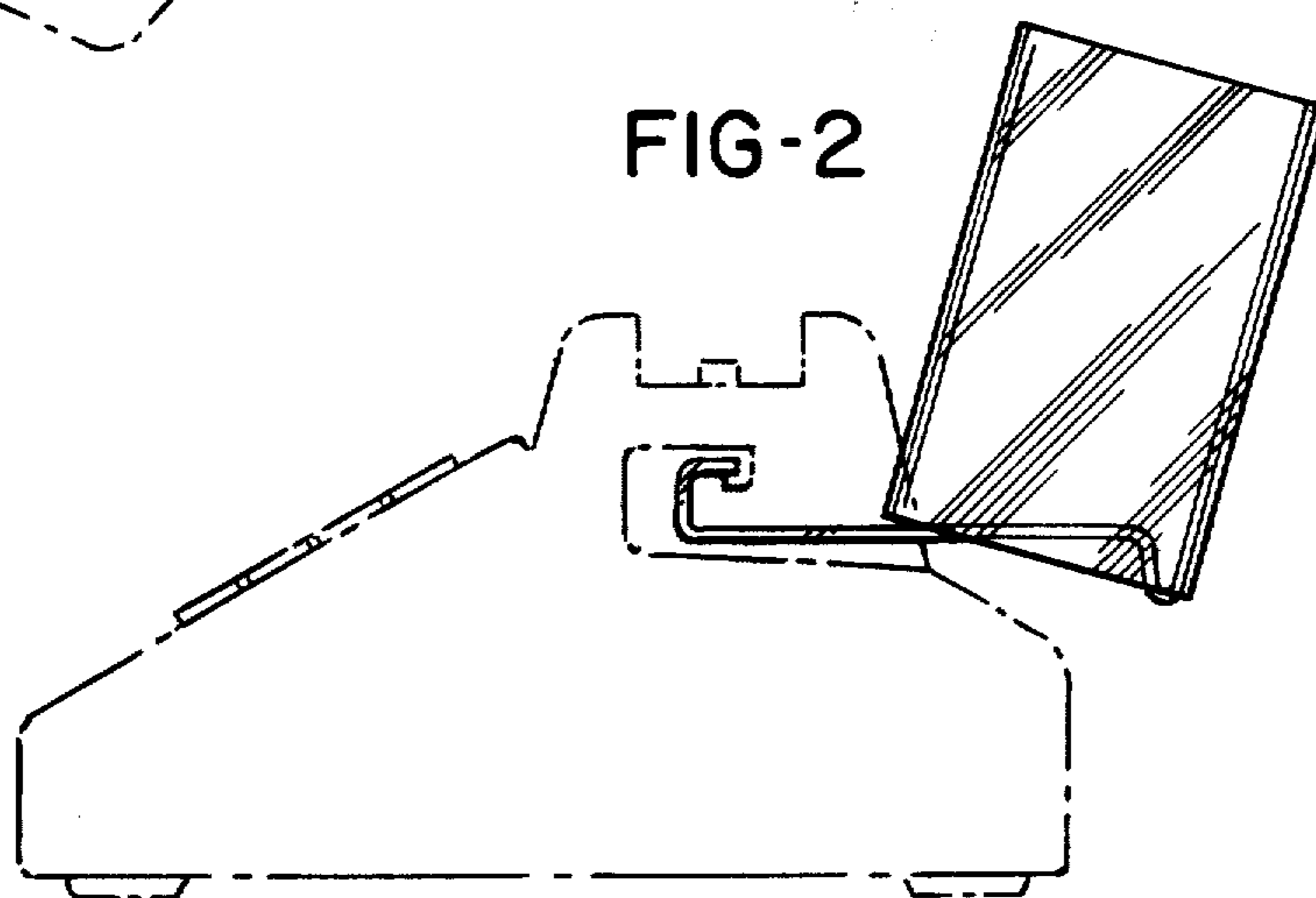
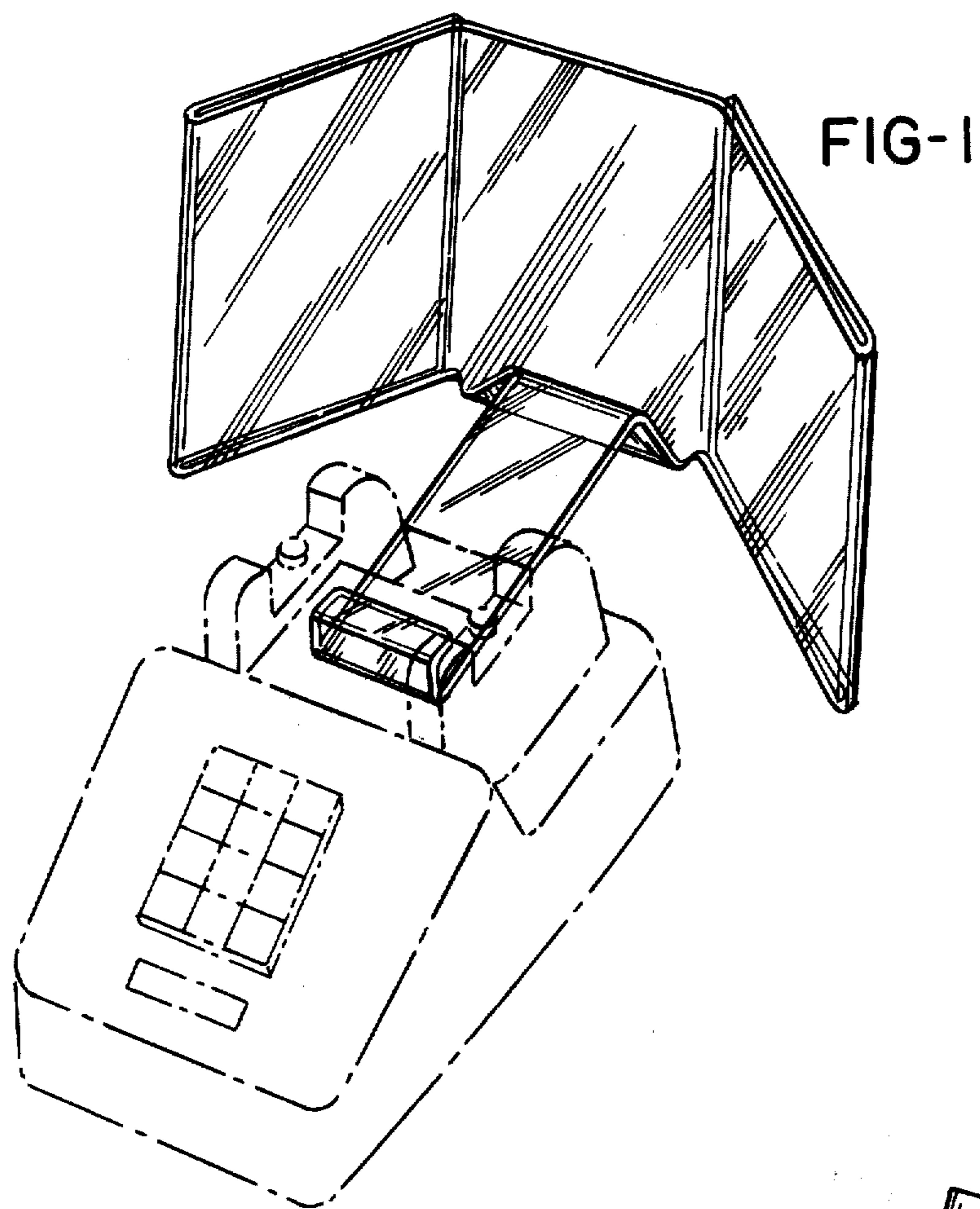


FIG-3

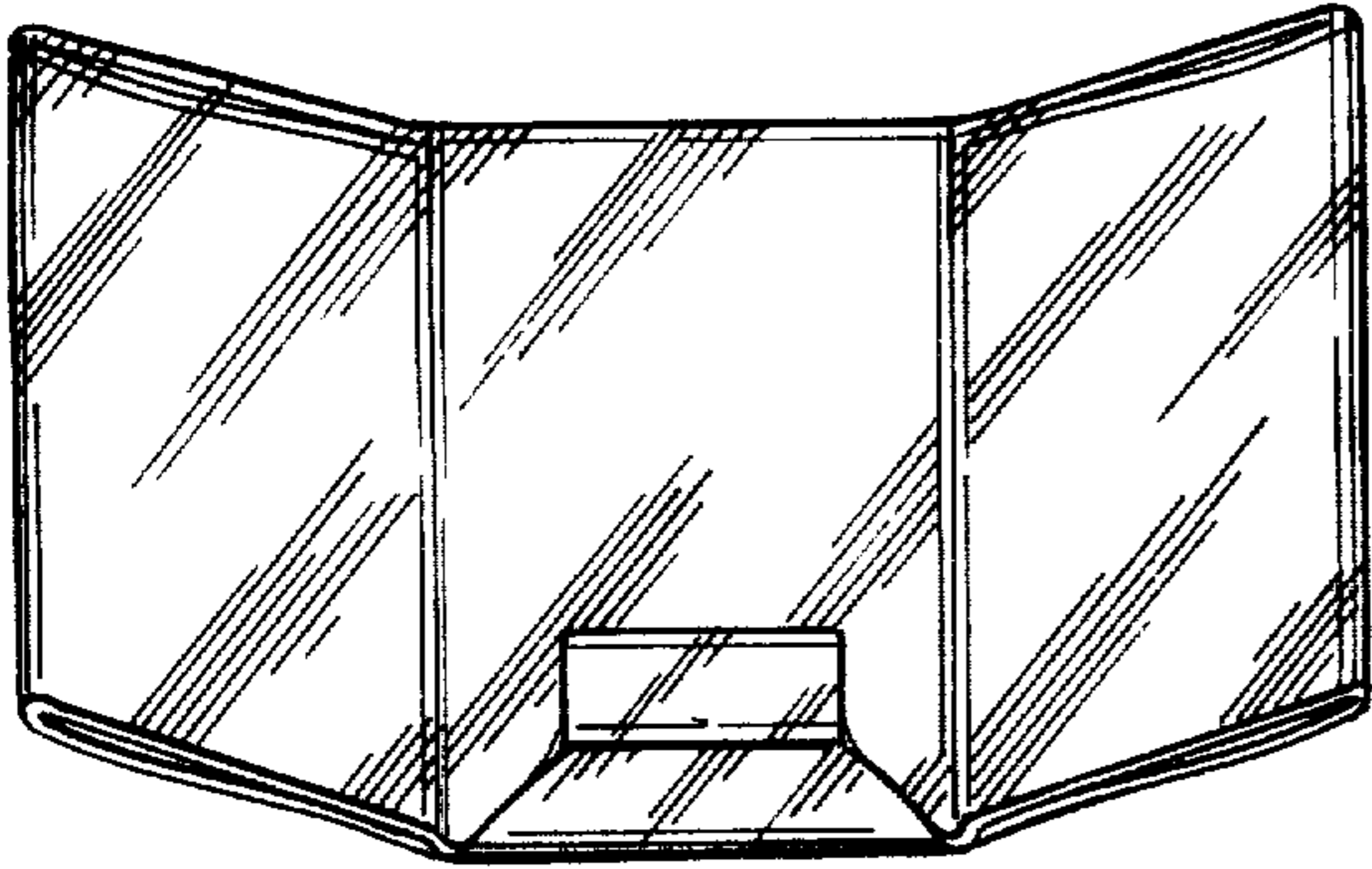


FIG-4

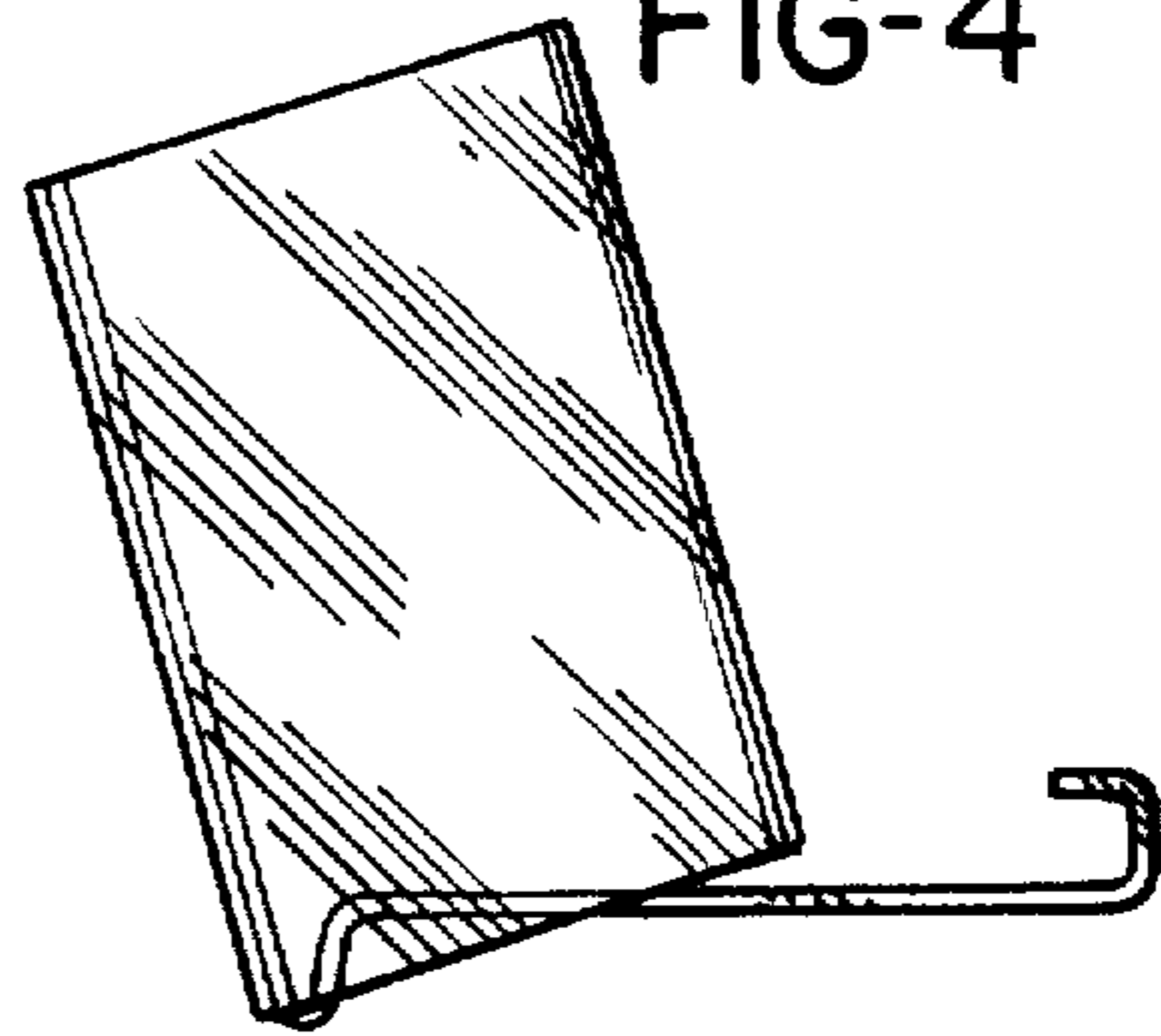


FIG-5

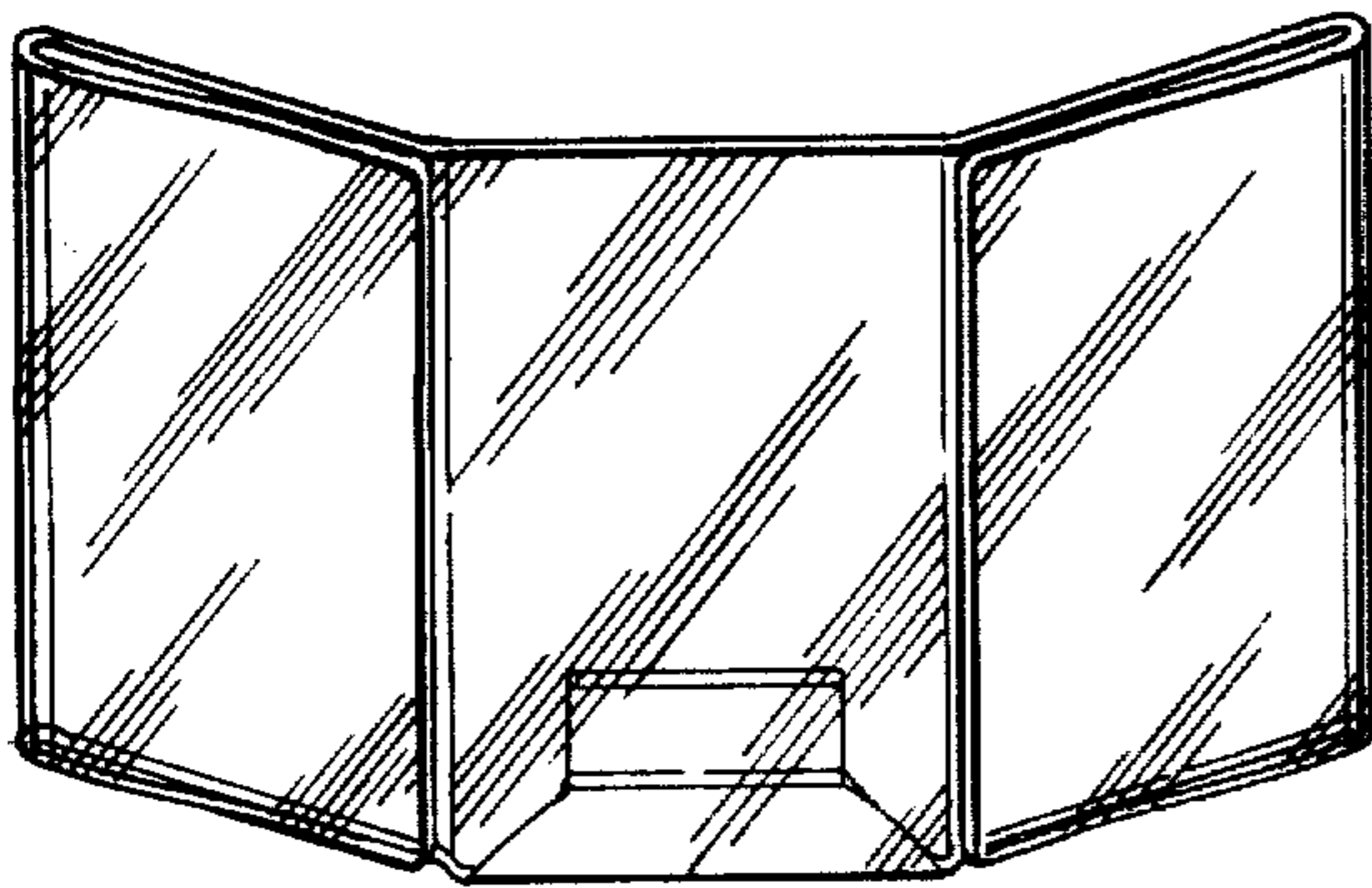


FIG-6

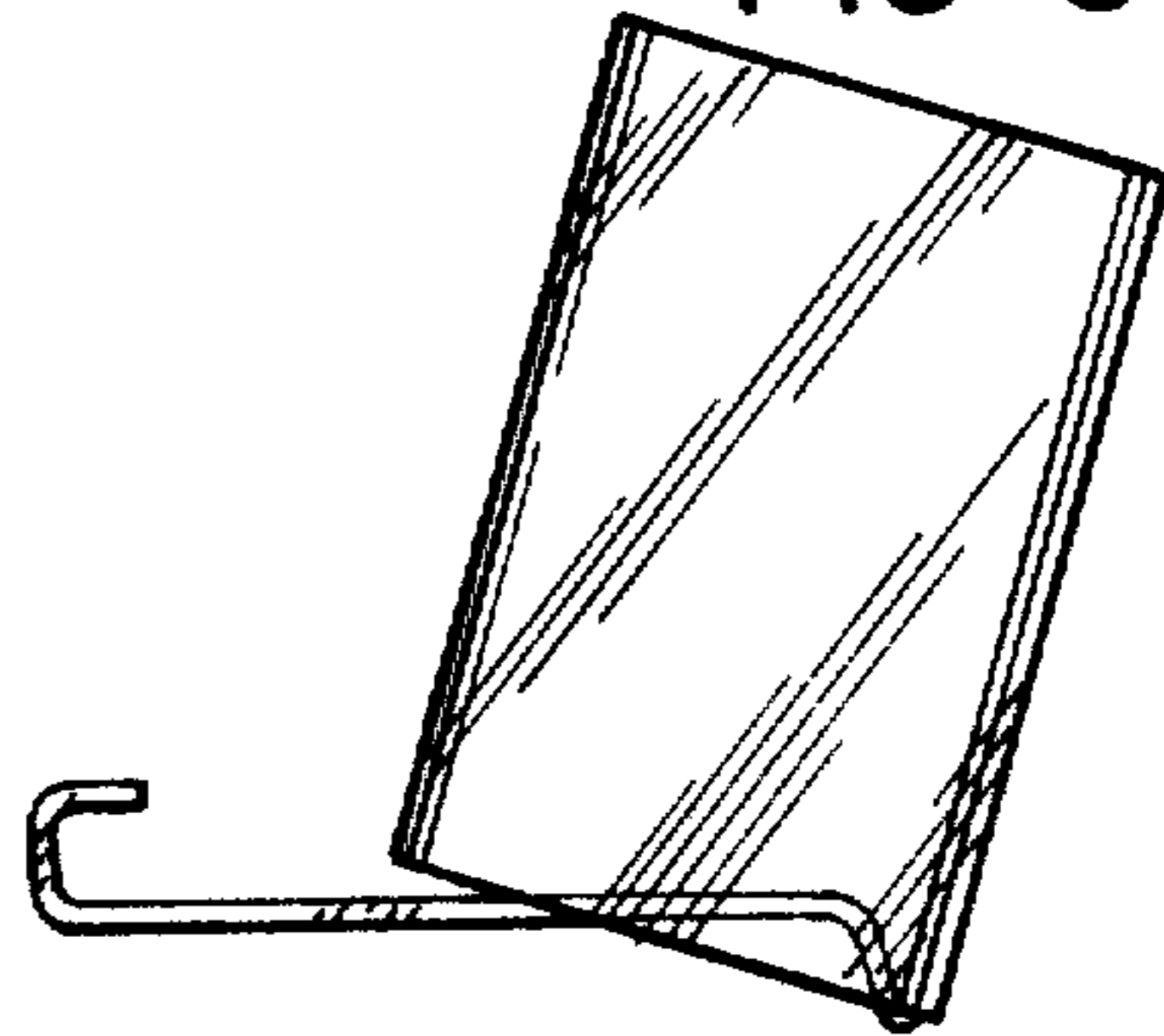


FIG-7

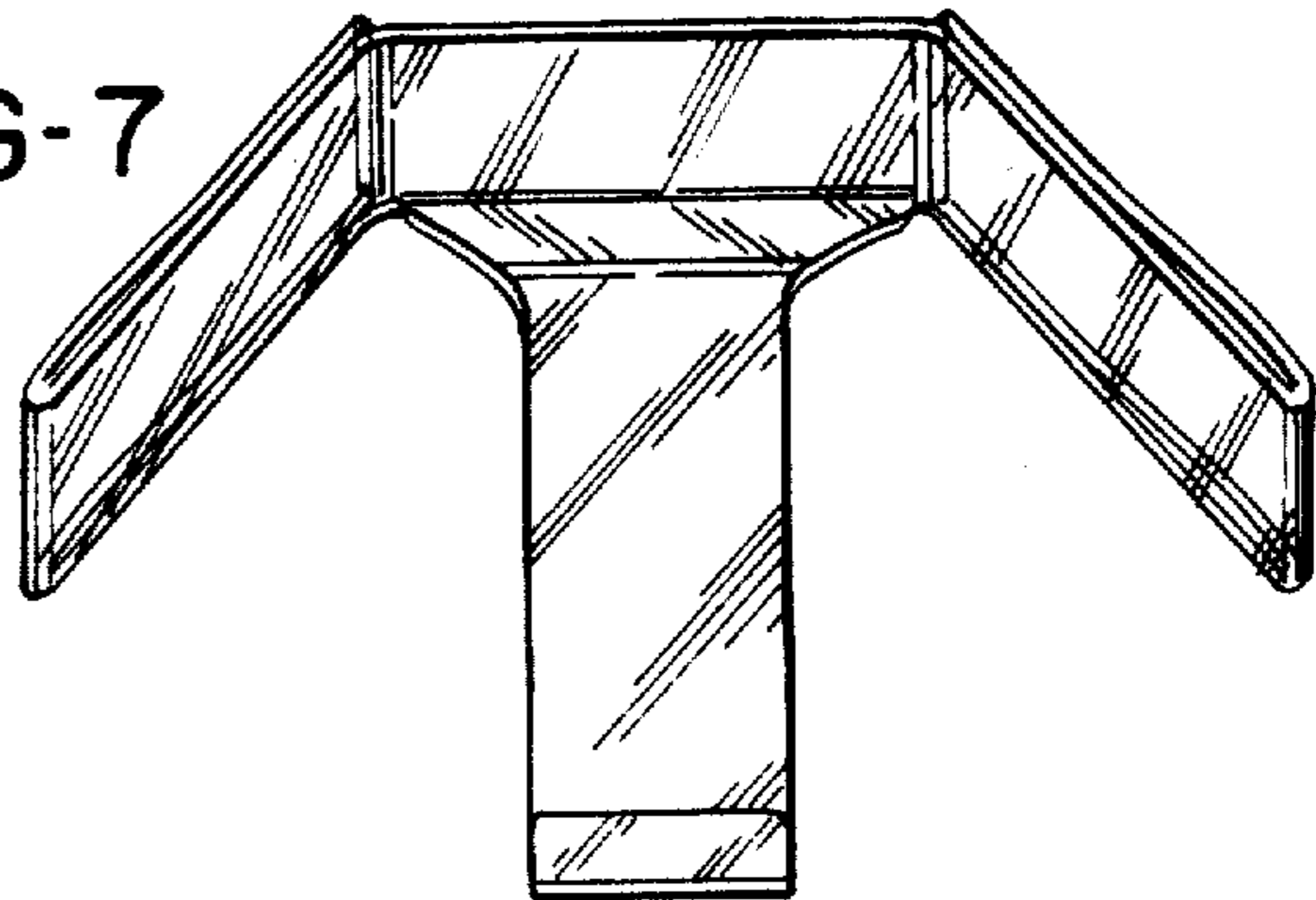


FIG-8

