

[54] TAPE RECORDING AND PLAYBACK APPARATUS

[76] Inventor: John H. Pemberton, 9 Park View, Needingworth, Cambridge, PE17 3TJ, England

[**] Term: 14 Years

[21] Appl. No.: 83,786

[22] Filed: Oct. 11, 1979

[51] Int. Cl. D14-01

[52] U.S. Cl. D14/2

[58] Field of Search D14/2, 3, 4; 360/90, 360/137; 369/75

[56] References Cited

U.S. PATENT DOCUMENTS

4,001,893	1/1977	Yamamoto	360/137
4,120,009	10/1978	Iwasawa	360/137

Primary Examiner—Peter M. Caun
Attorney, Agent, or Firm—Laubscher, Philpitt & Laubscher

[57] CLAIM

The ornamental design for a tape recording and playback apparatus, substantially as shown and described.

DESCRIPTION

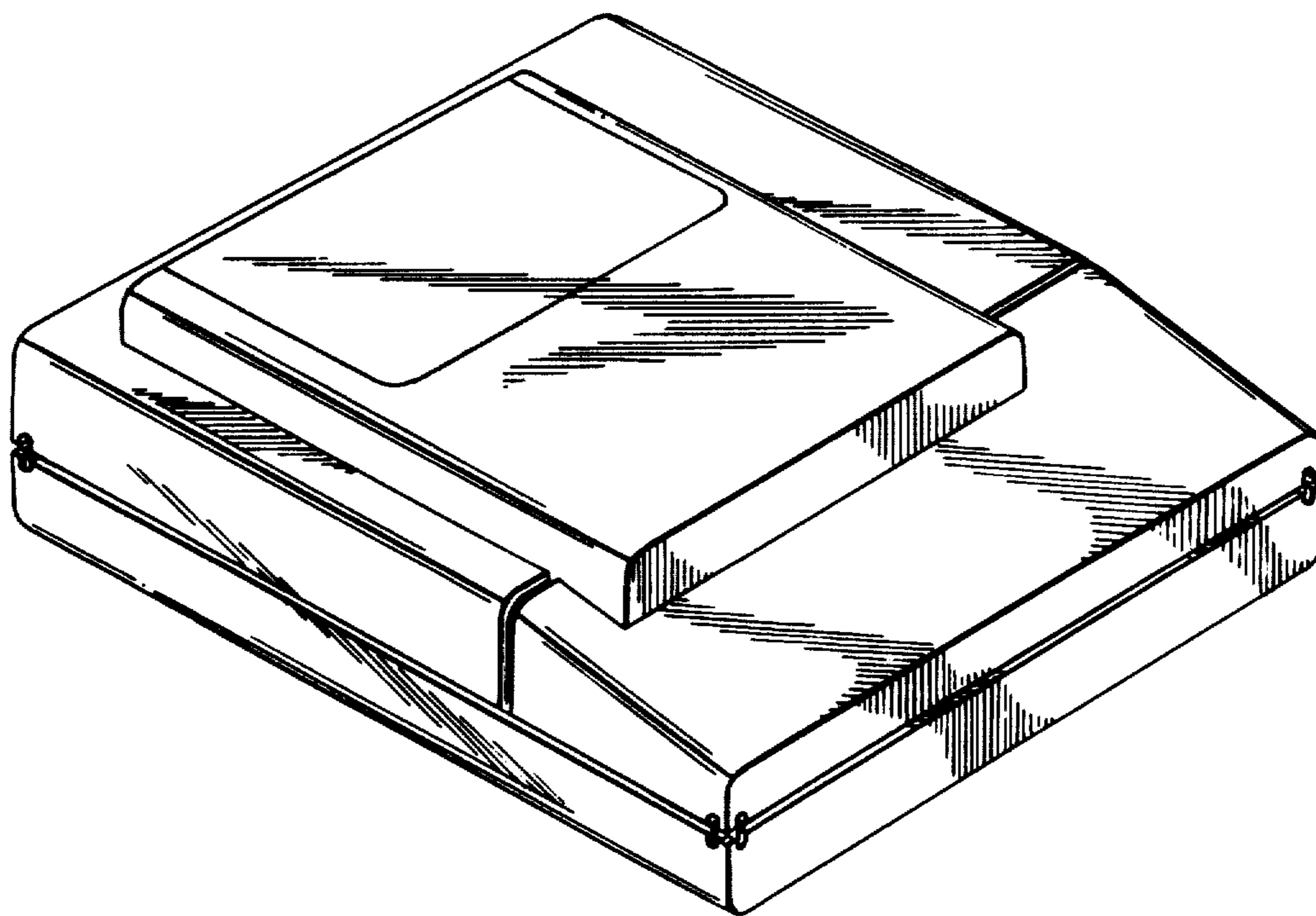
FIG. 1 is a top, front, left perspective view of a tape recording and playback apparatus showing my new design;

FIG. 2 is a top, plan view of the tape recording and playback apparatus;

FIG. 3 is a front end view of the tape recording and playback apparatus; and

FIG. 4 is a right side view of the tape recording and playback apparatus.

The end opposite to that of FIG. 3 and the bottom of the tape recording and playback apparatus are lacking of any ornamentation.



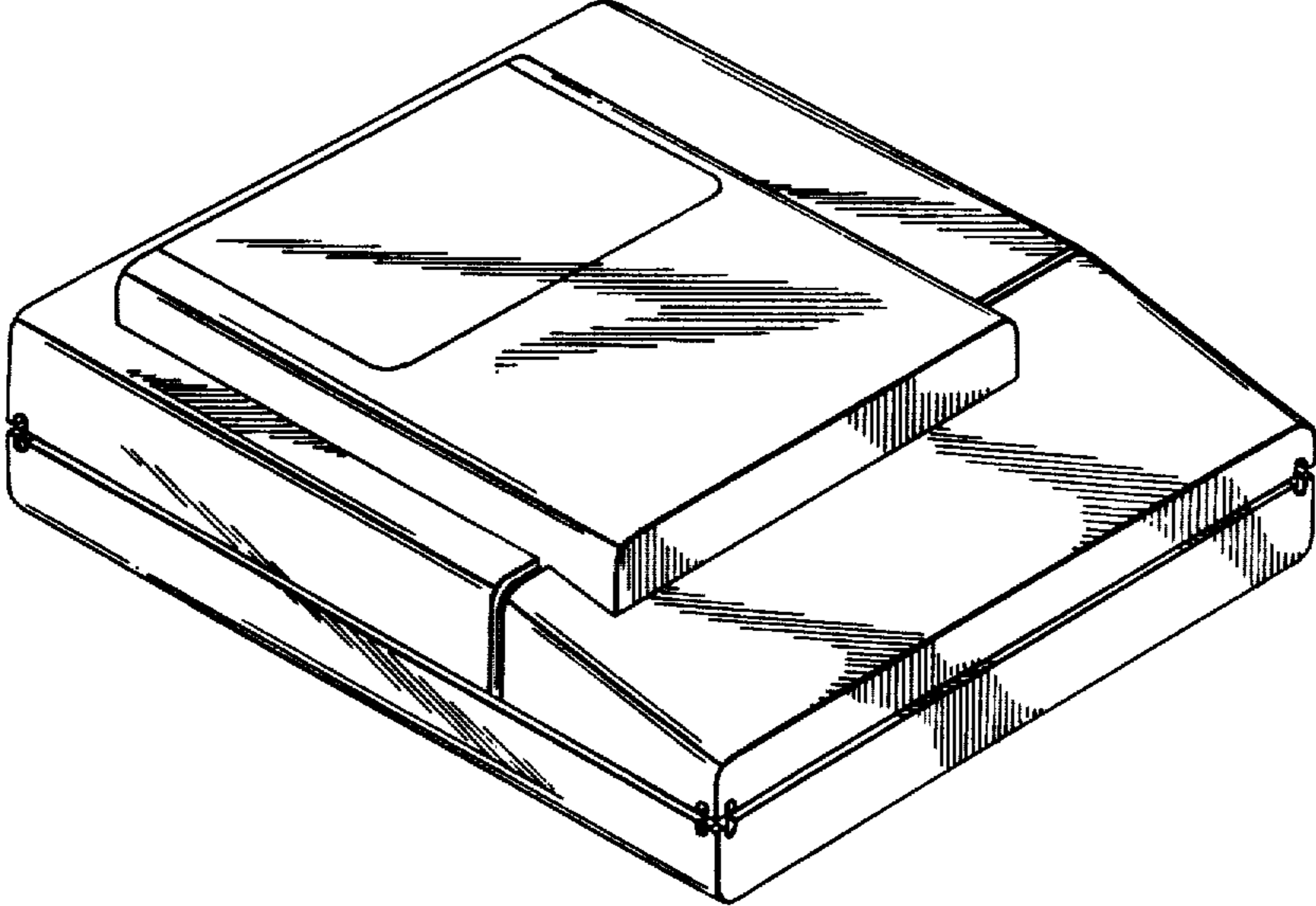


FIG. 1.

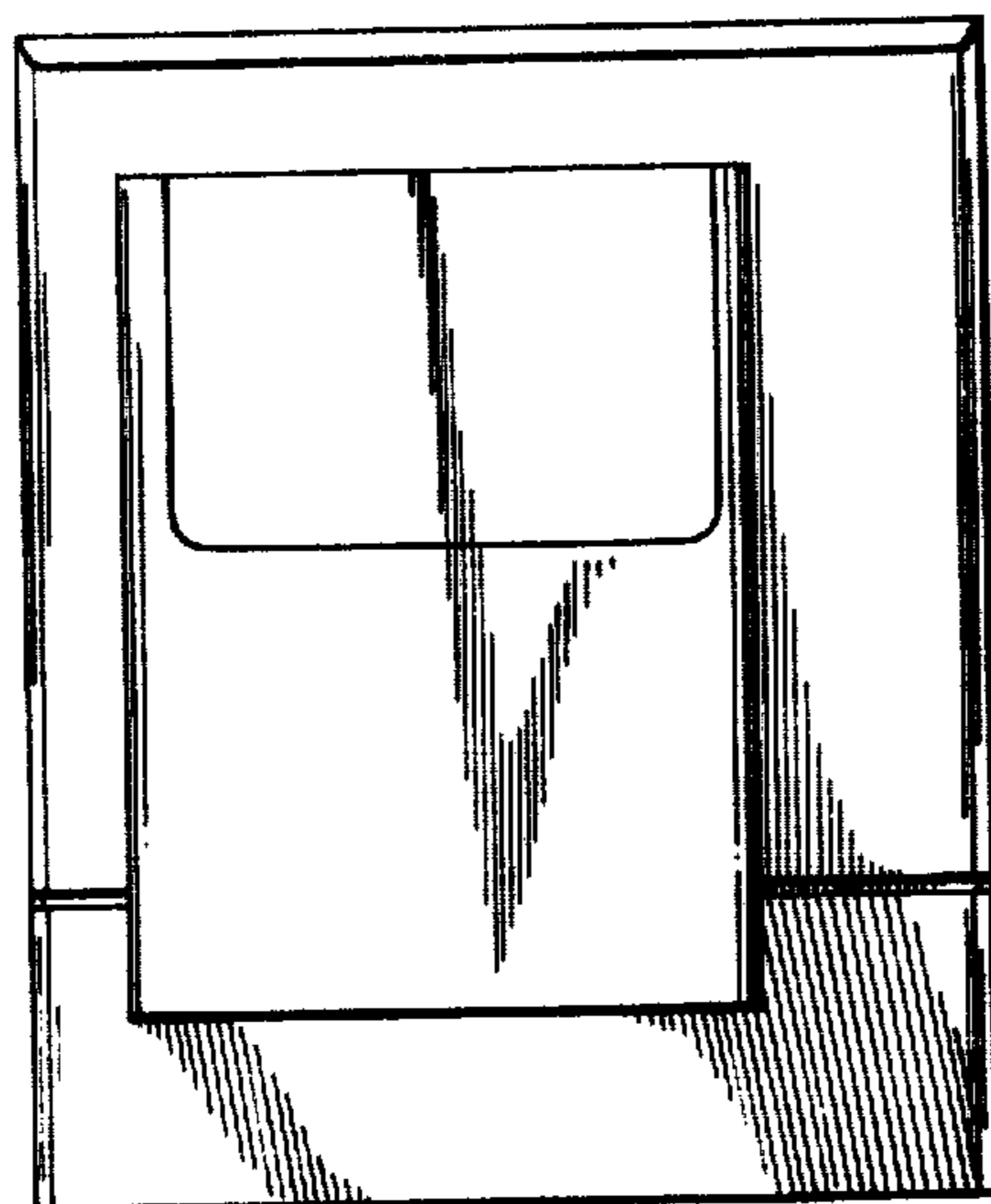


FIG. 2.

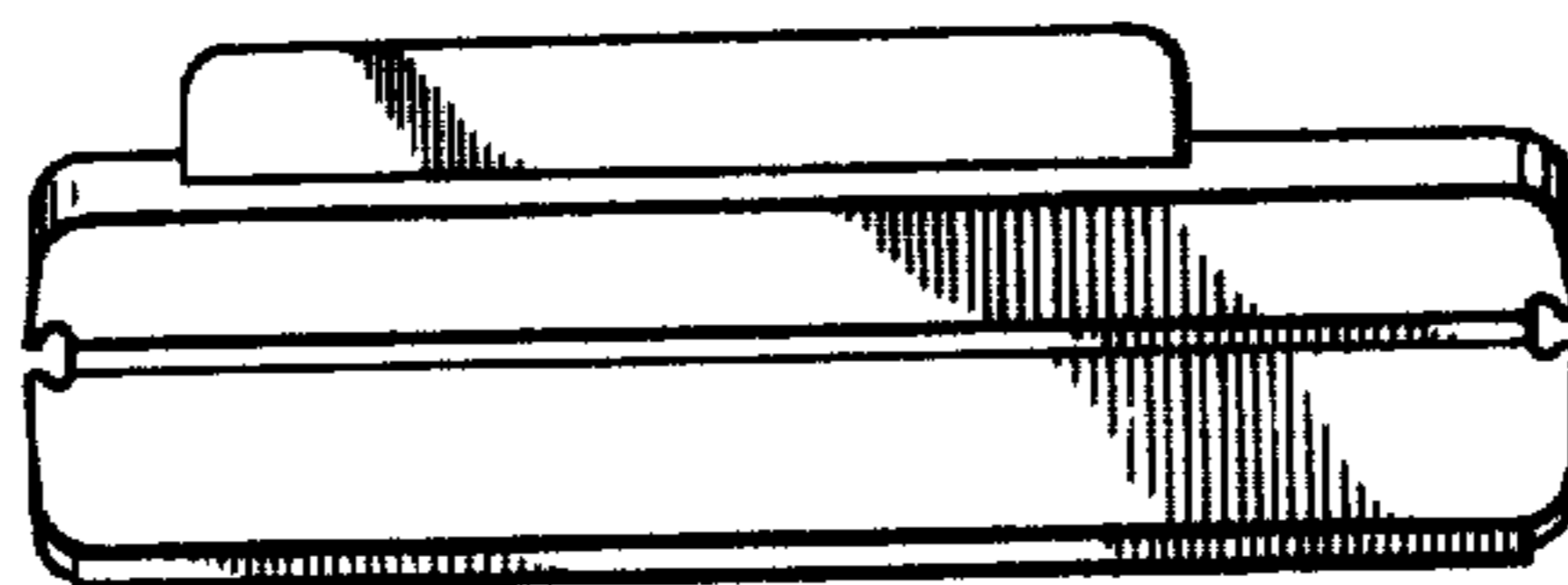


FIG. 3.

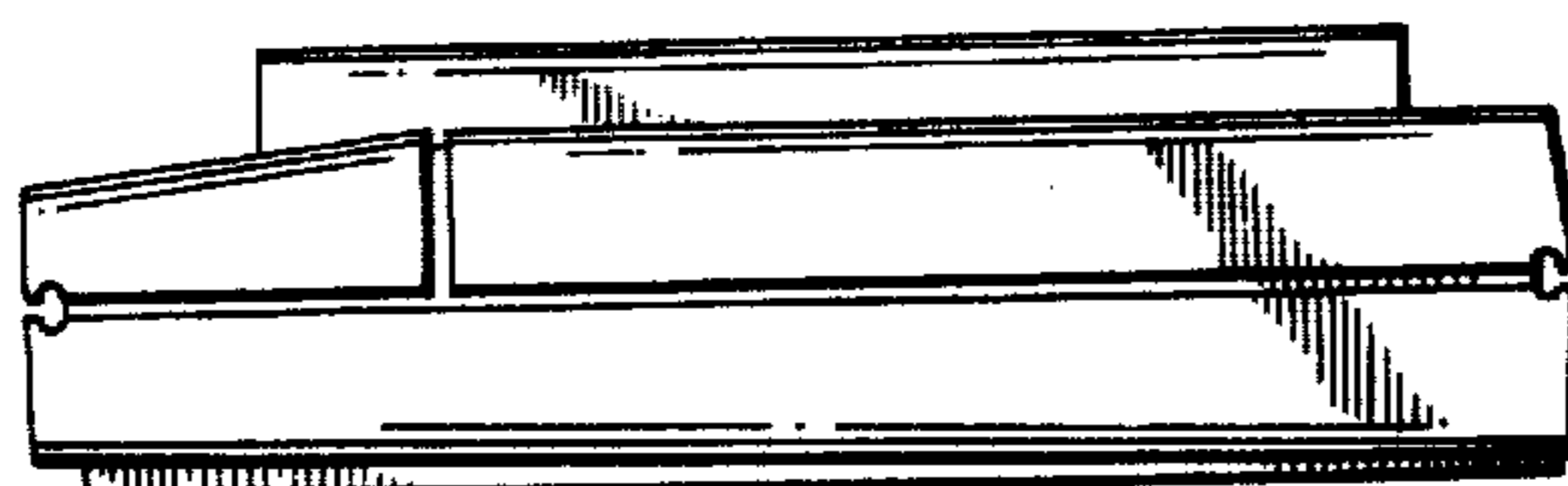


FIG. 4.