

[54] BODY PANEL FOR A MOTORCYCLE

[76] Inventor: Bruce D. Omholt, 1034 Holly Ave., Rohnert Park, Calif. 94928

[**] Term: 14 Years

[21] Appl. No.: 128,541

[22] Filed: Mar. 10, 1980

[51] Int. Cl. D12-11

[52] U.S. Cl. D12/110; D12/182

[58] Field of Search D12/110, 182; 180/219, 180/218

[56] References Cited

U.S. PATENT DOCUMENTS

D. 171,251 1/1954 Courtney D12/110

D. 245,077 7/1977 Newell D12/110

OTHER PUBLICATIONS

Cycle World, 6/77, p. 4, Motorcycle Body, bottom of page.

Primary Examiner—James M. Gandy

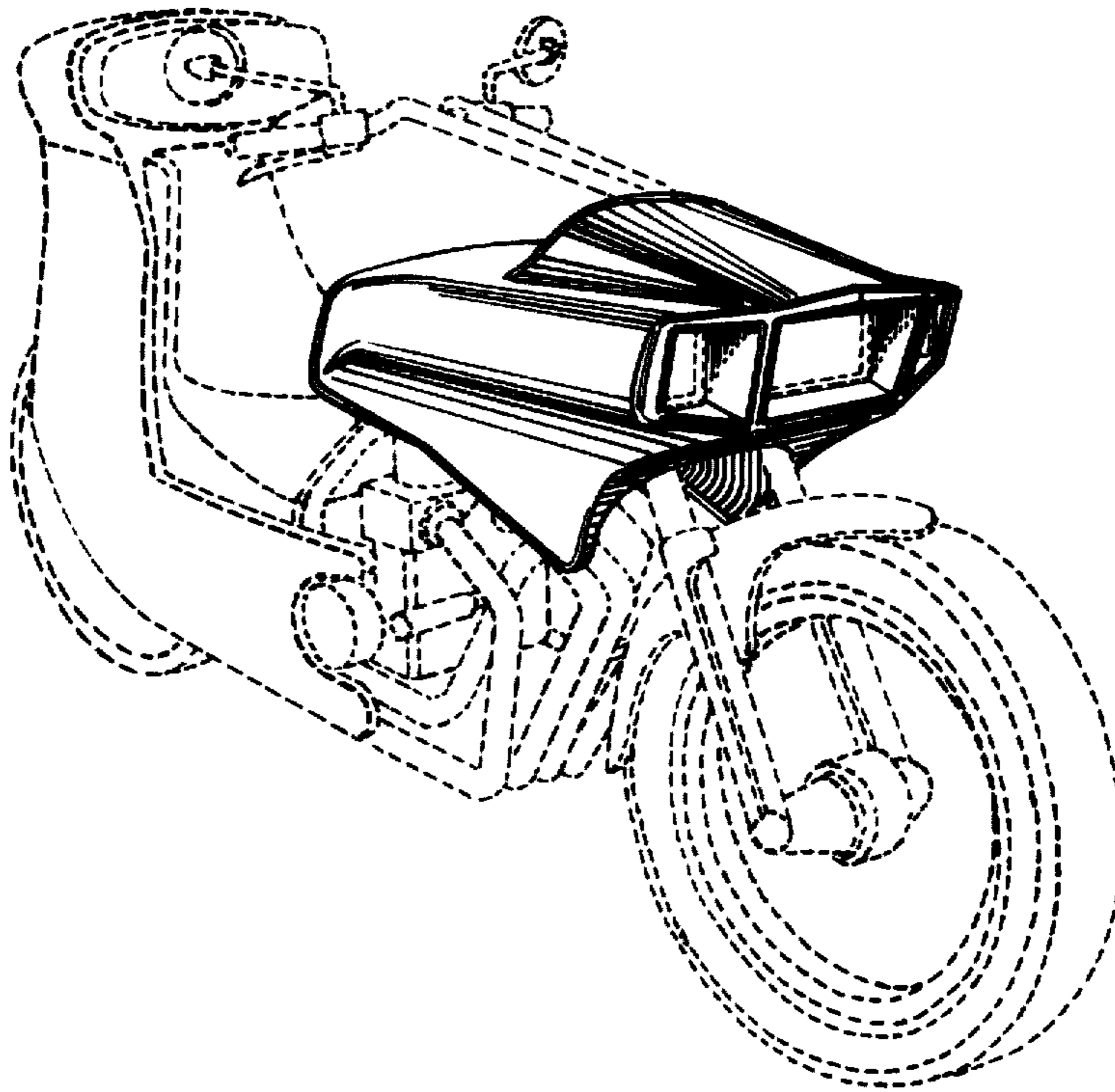
Attorney, Agent, or Firm—Emrich, Lee, Brown & Hill

[57] CLAIM

The ornamental design for a body panel for a motorcycle, as shown and described.

DESCRIPTION

FIG. 1 is a left rear perspective view of a body panel for a motorcycle showing my new design; FIG. 2 is a right front perspective view thereof; FIG. 3 is a front elevational view thereof; and FIG. 4 is a top plan view thereof on a reduced scale.



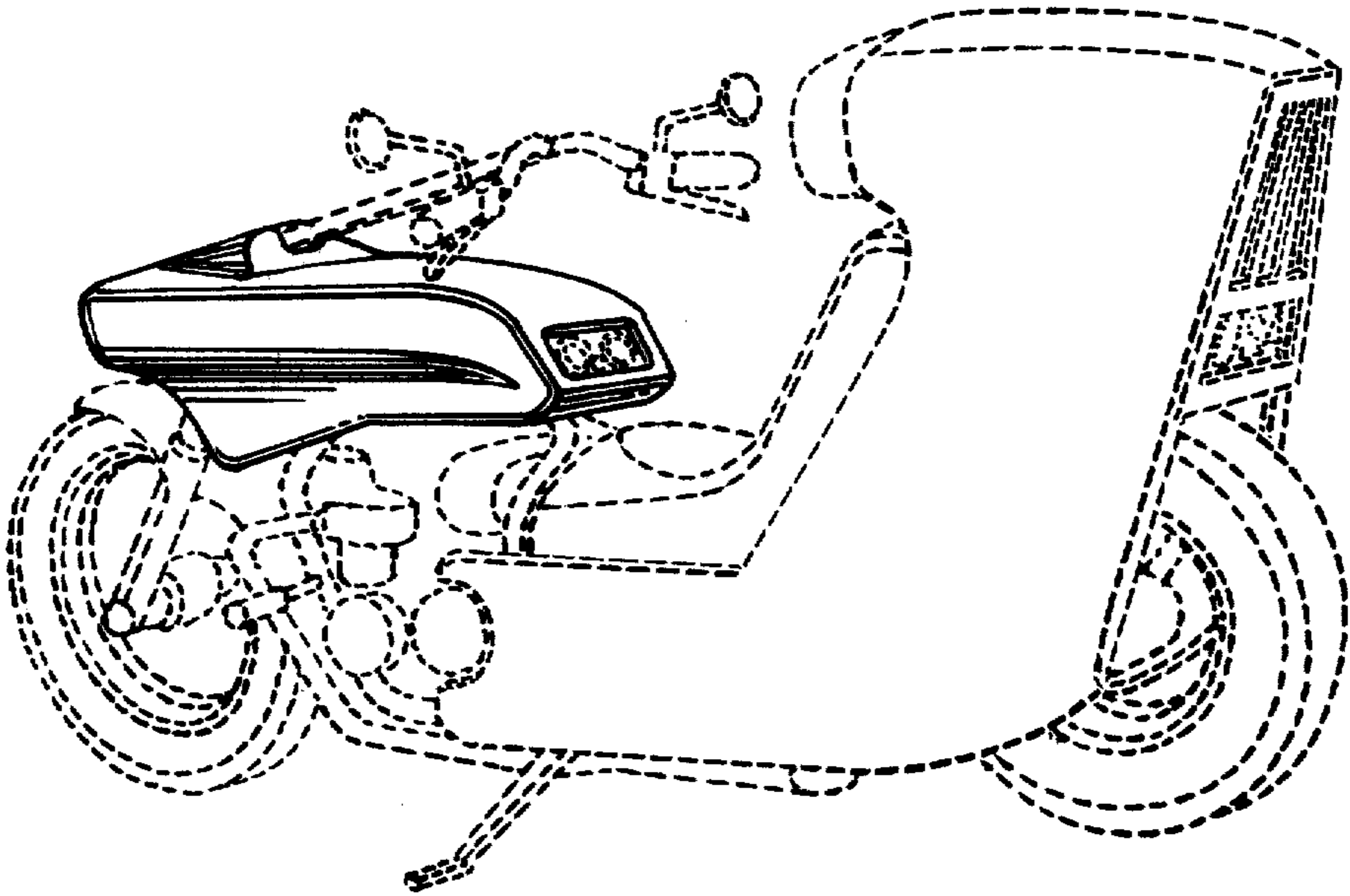


Fig. 1

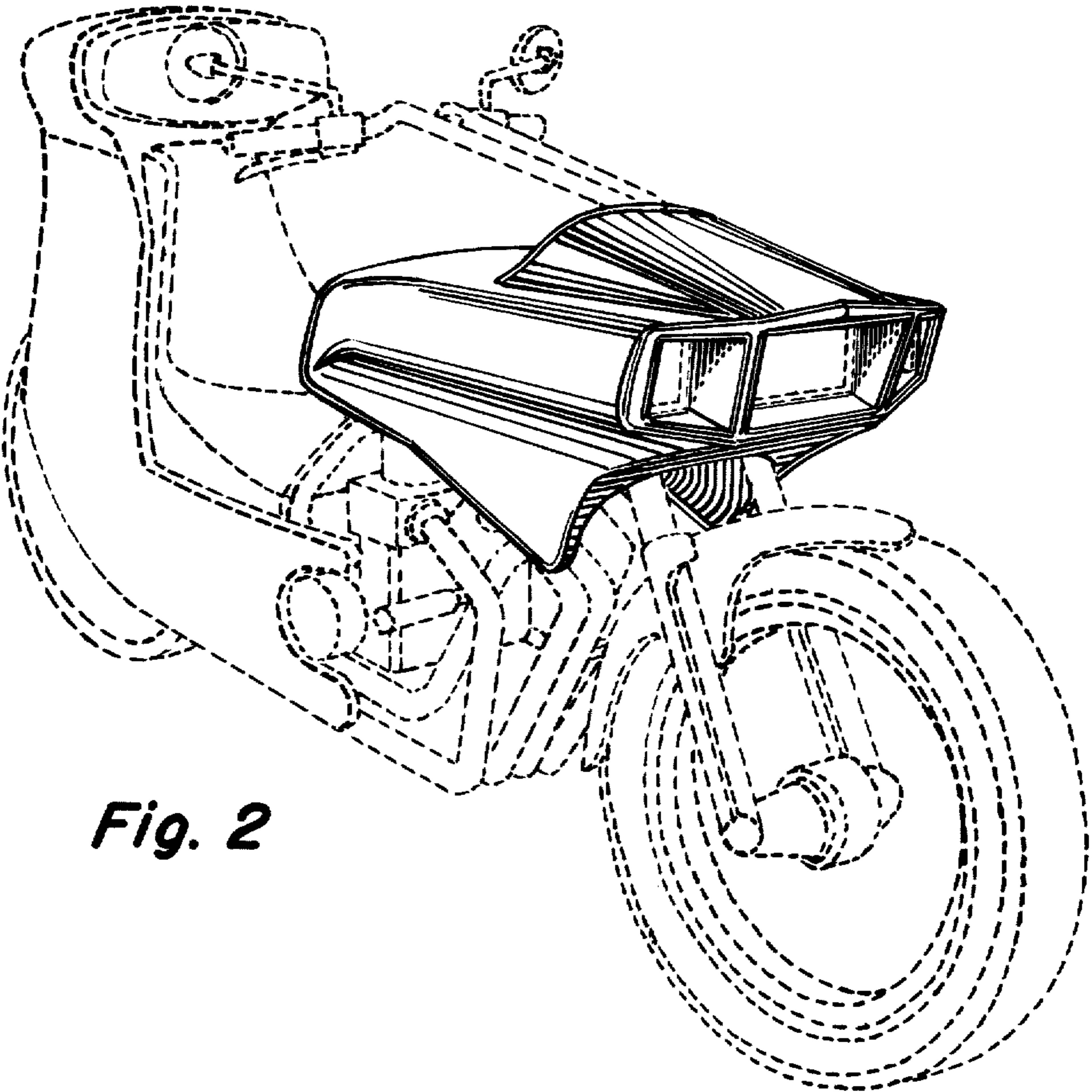


Fig. 2

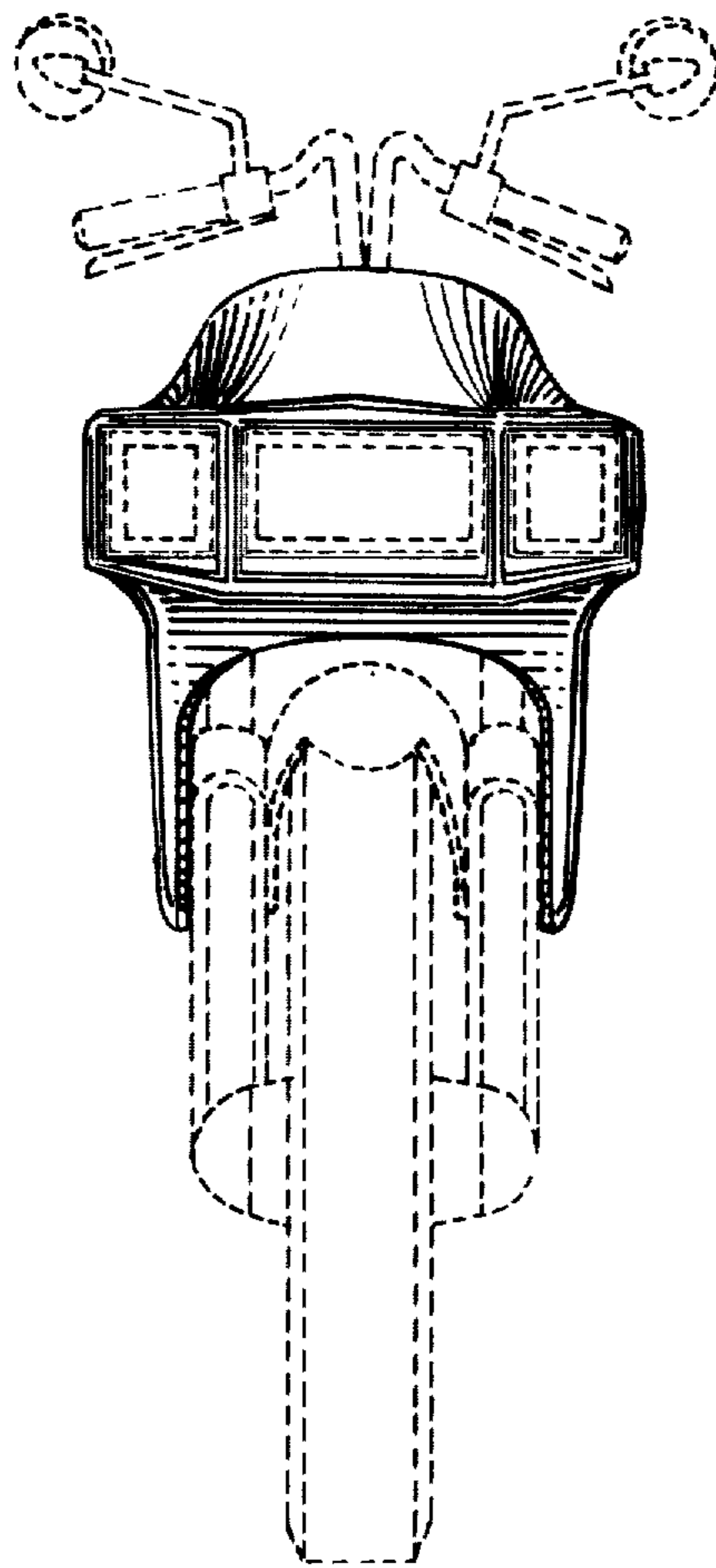


Fig. 3

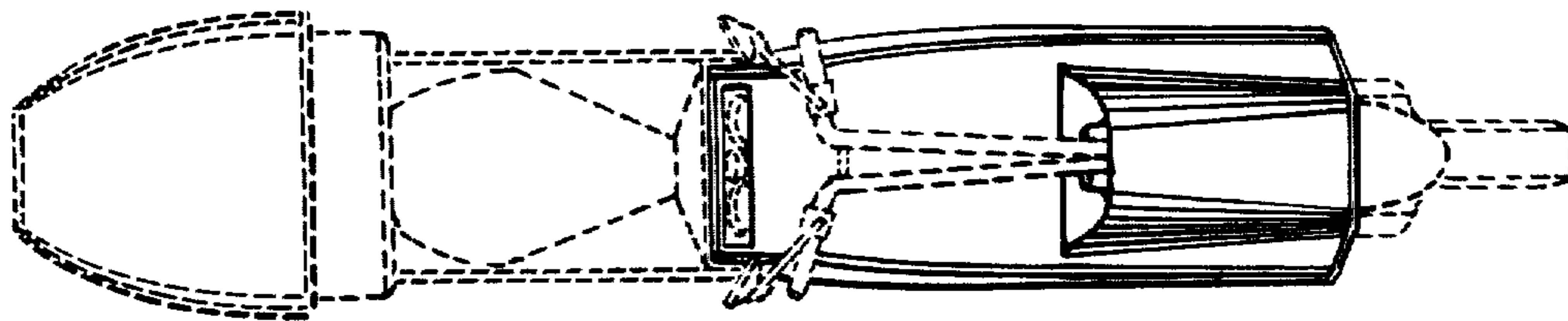


Fig. 4