

[54] SEMI-TRAILER

[75] Inventors: Eugene D. Sambucetti; Keith L. Mathews, both of Woodland, Calif.

[73] Assignee: Wesco Truck & Trailer Sales, Woodland, Calif.

[**] Term: 14 Years

[21] Appl. No.: 69,720

[22] Filed: Aug. 27, 1979

[51] Int. Cl. D12-10

[52] U.S. Cl. D12/101

[58] Field of Search D12/101; 280/29, 62, 280/762, 769; 296/164

[56]

References Cited

U.S. PATENT DOCUMENTS

3,436,096 4/1969 Rogge 296/164

Primary Examiner—James M. Gandy
Attorney, Agent, or Firm—Naylor, Neal & Uilkema

[57]

CLAIM

The ornamental design for a semi-trailer, as shown and described.

DESCRIPTION

FIG. 1 is a perspective view of a semi-trailer showing our new design;

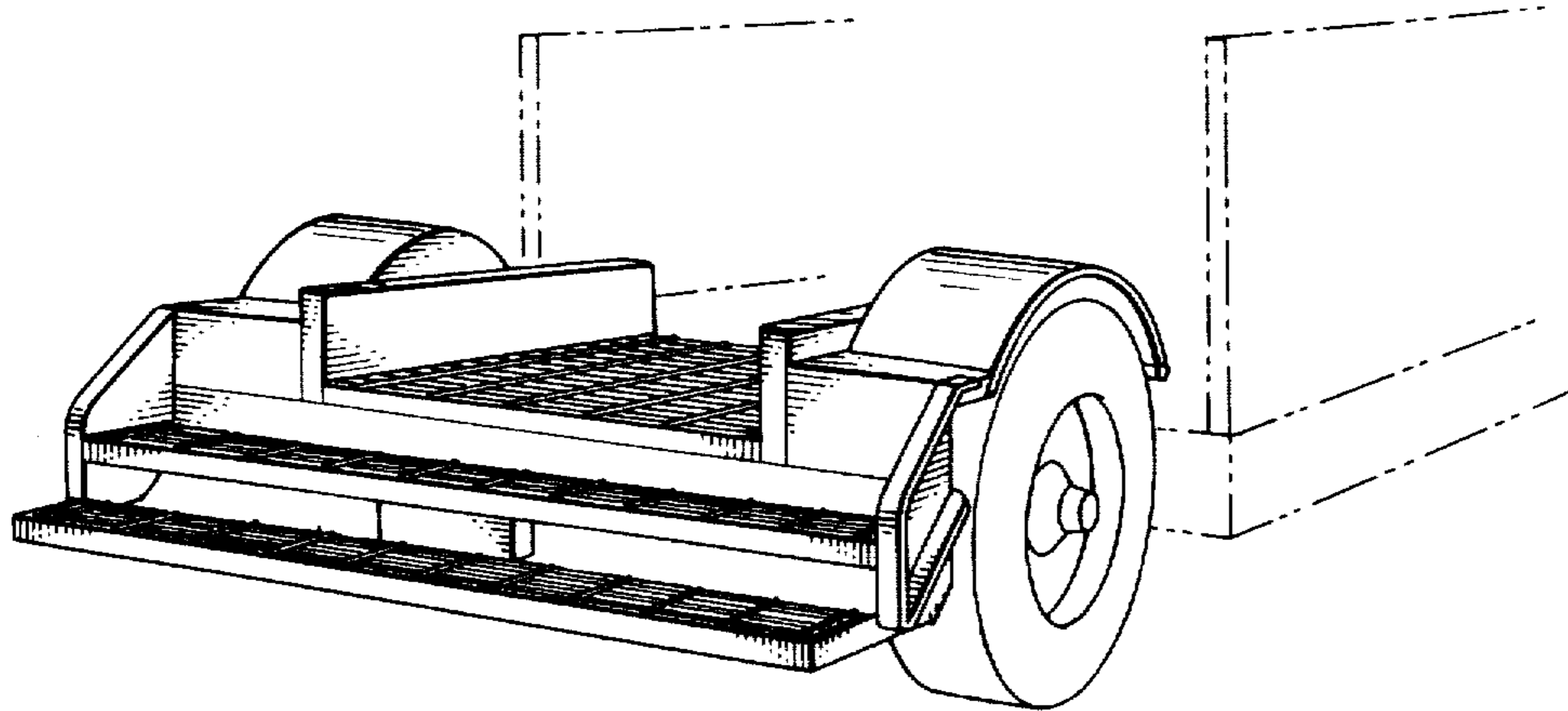
FIG. 2 is a side elevational view thereof;

FIG. 3 is a top plan view thereof;

FIG. 4 is a rear elevational view thereof; and

FIG. 5 is a front elevational view thereof.

The broken lines in the drawing are for illustrative purposes only.



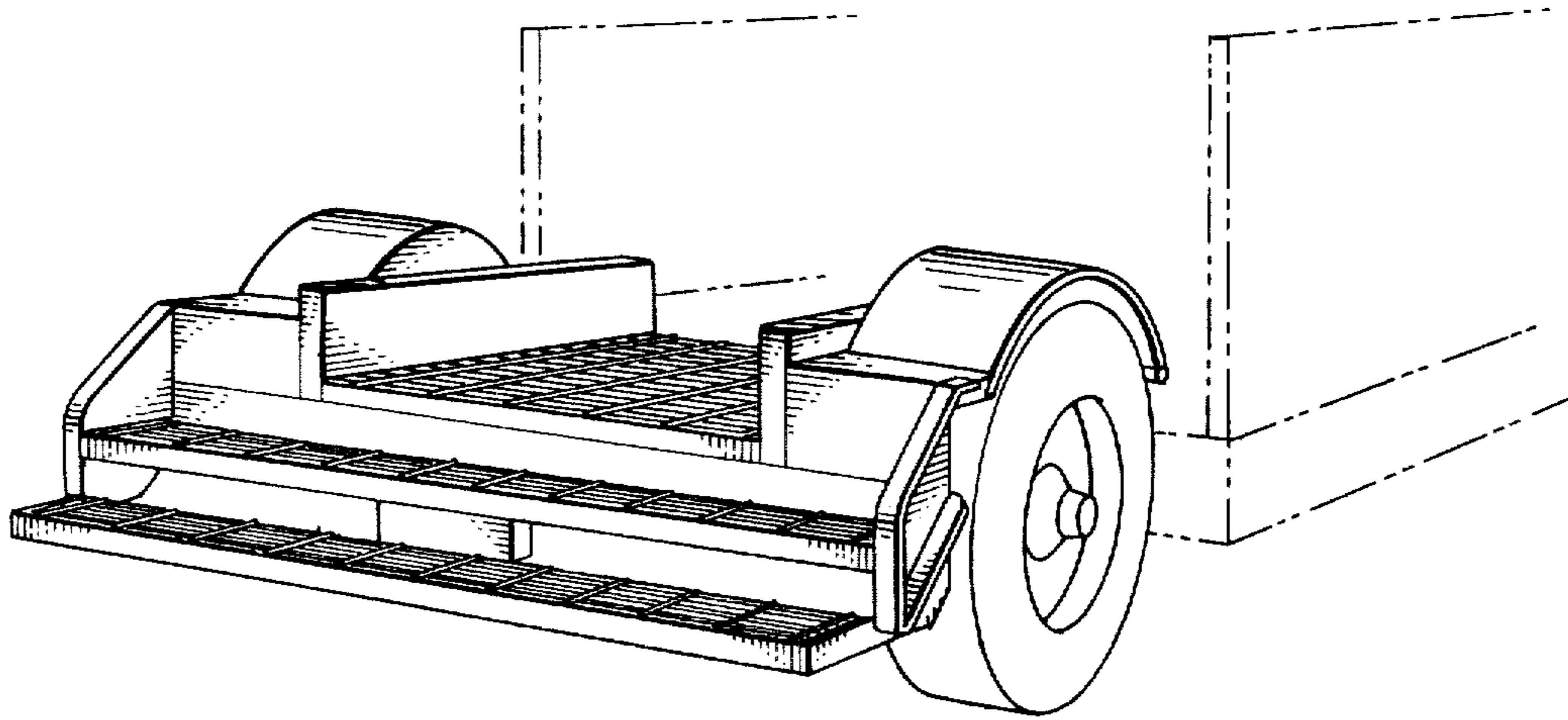


FIG. 1.

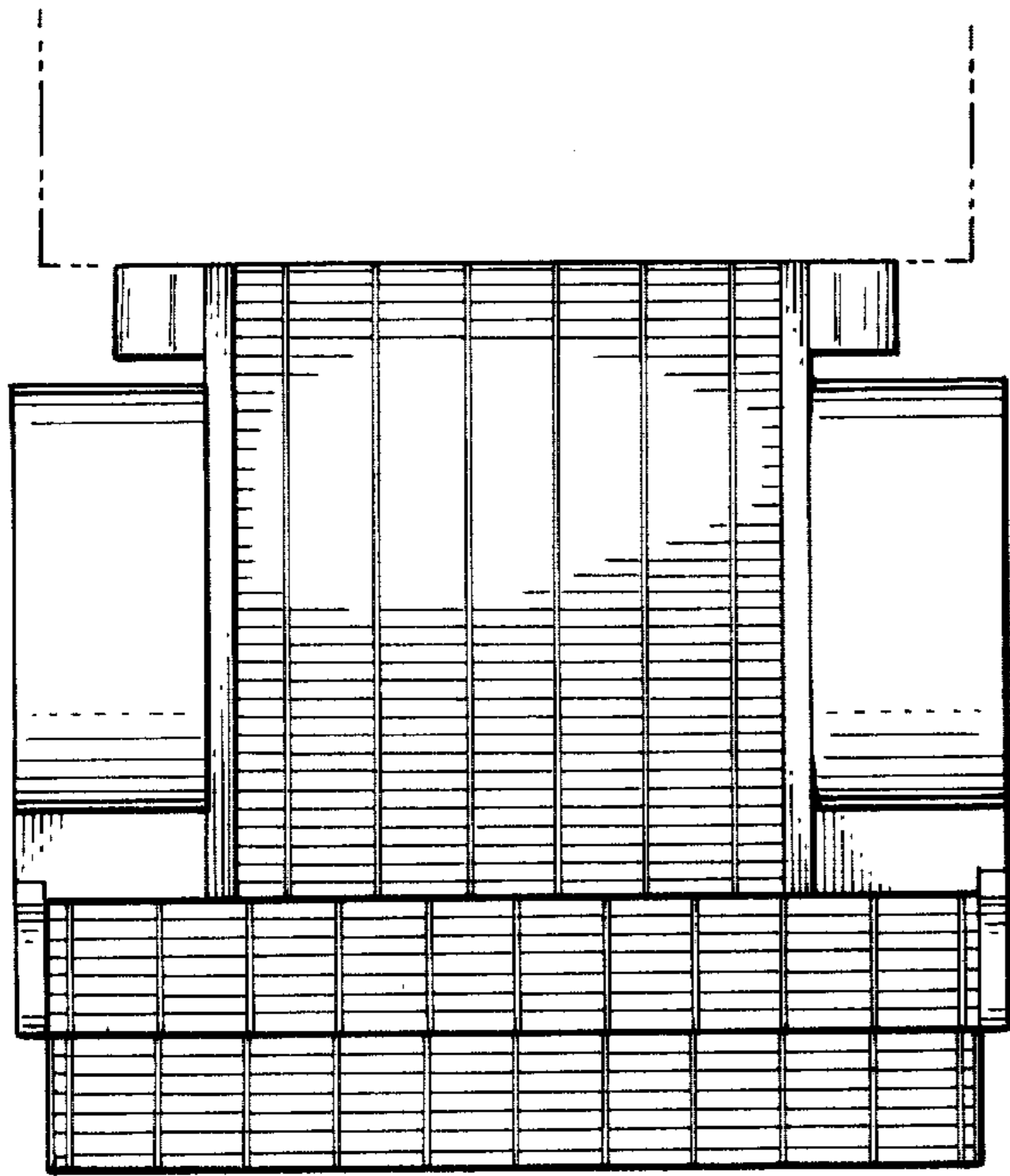


FIG. 3.

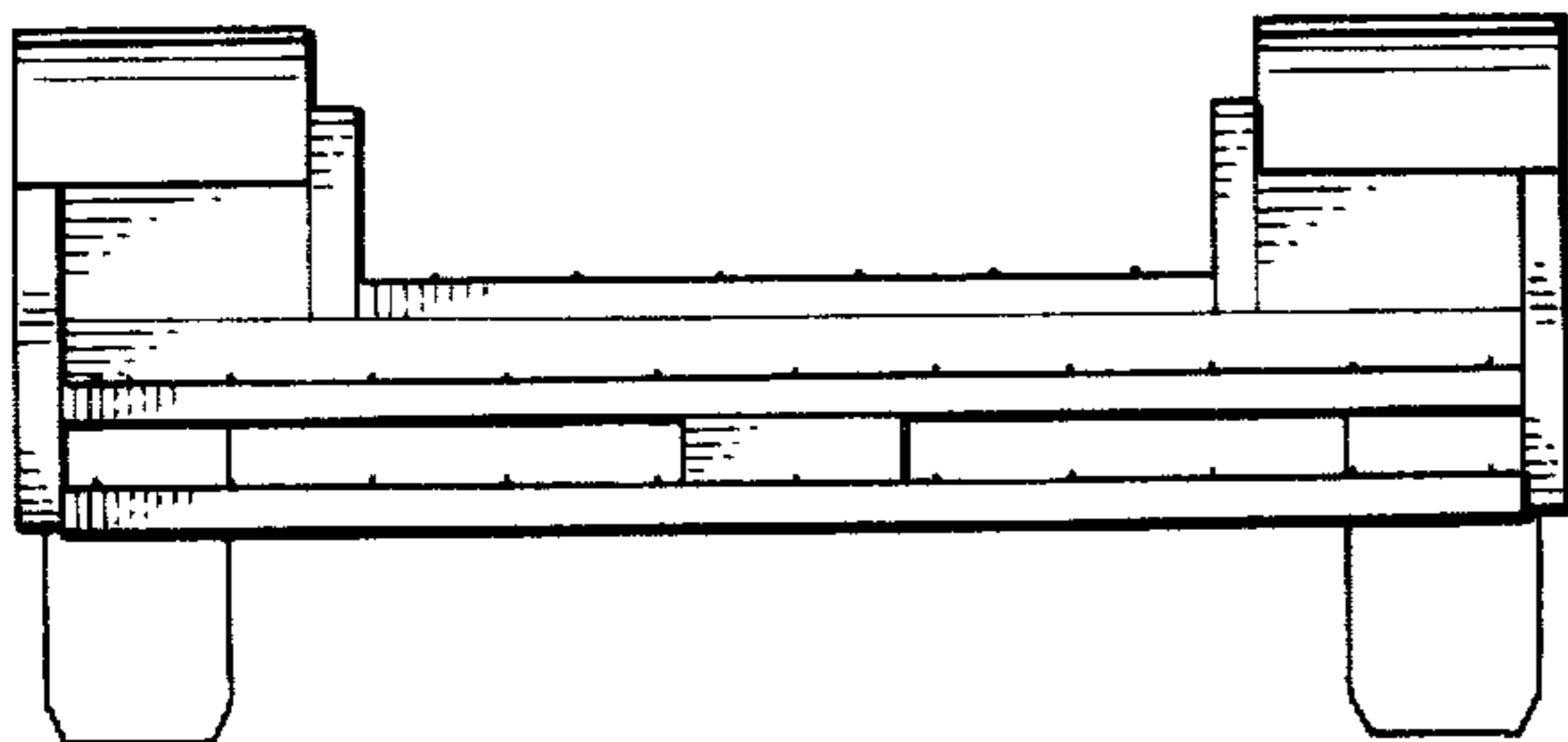


FIG. 4.

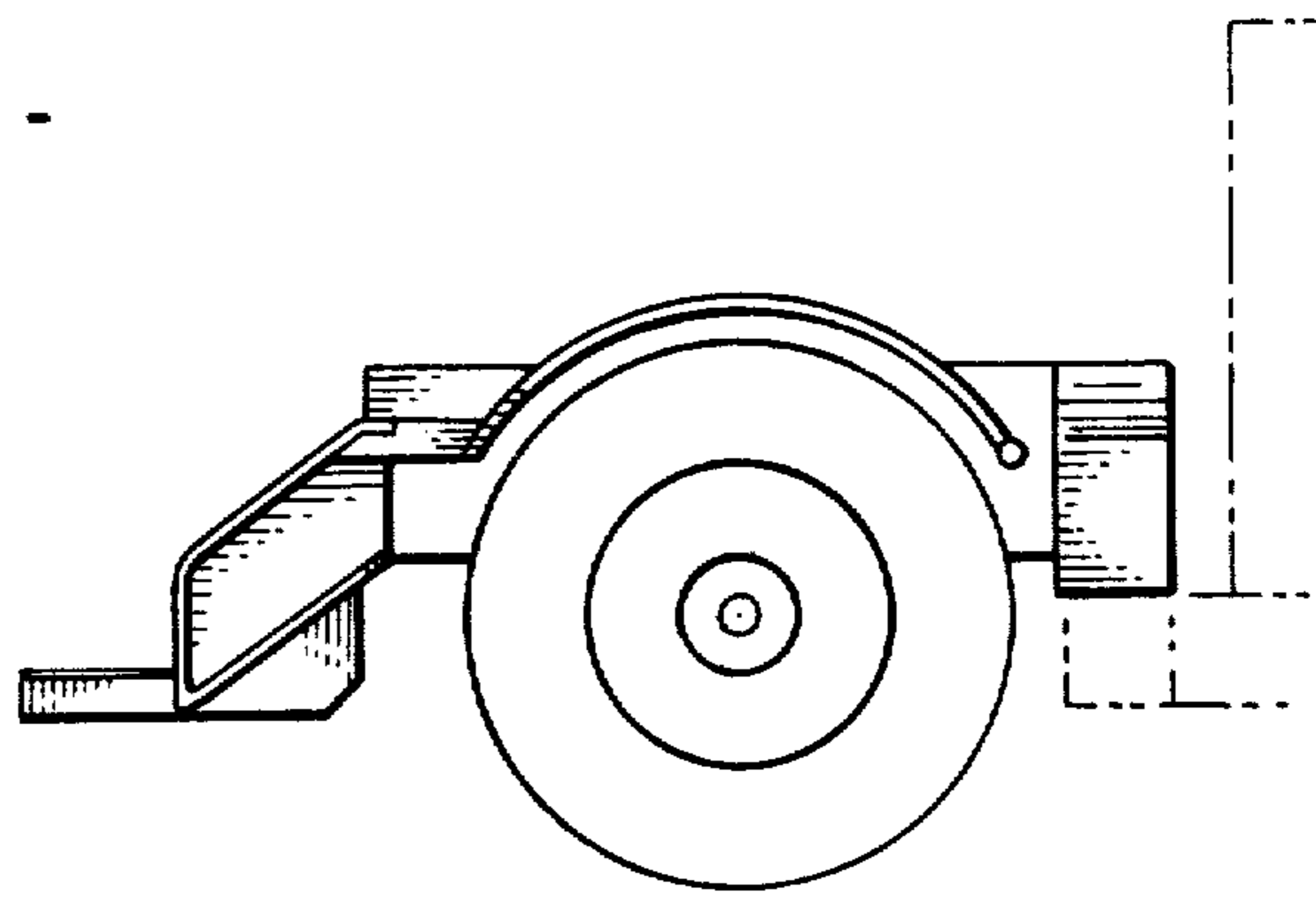


FIG. 2.

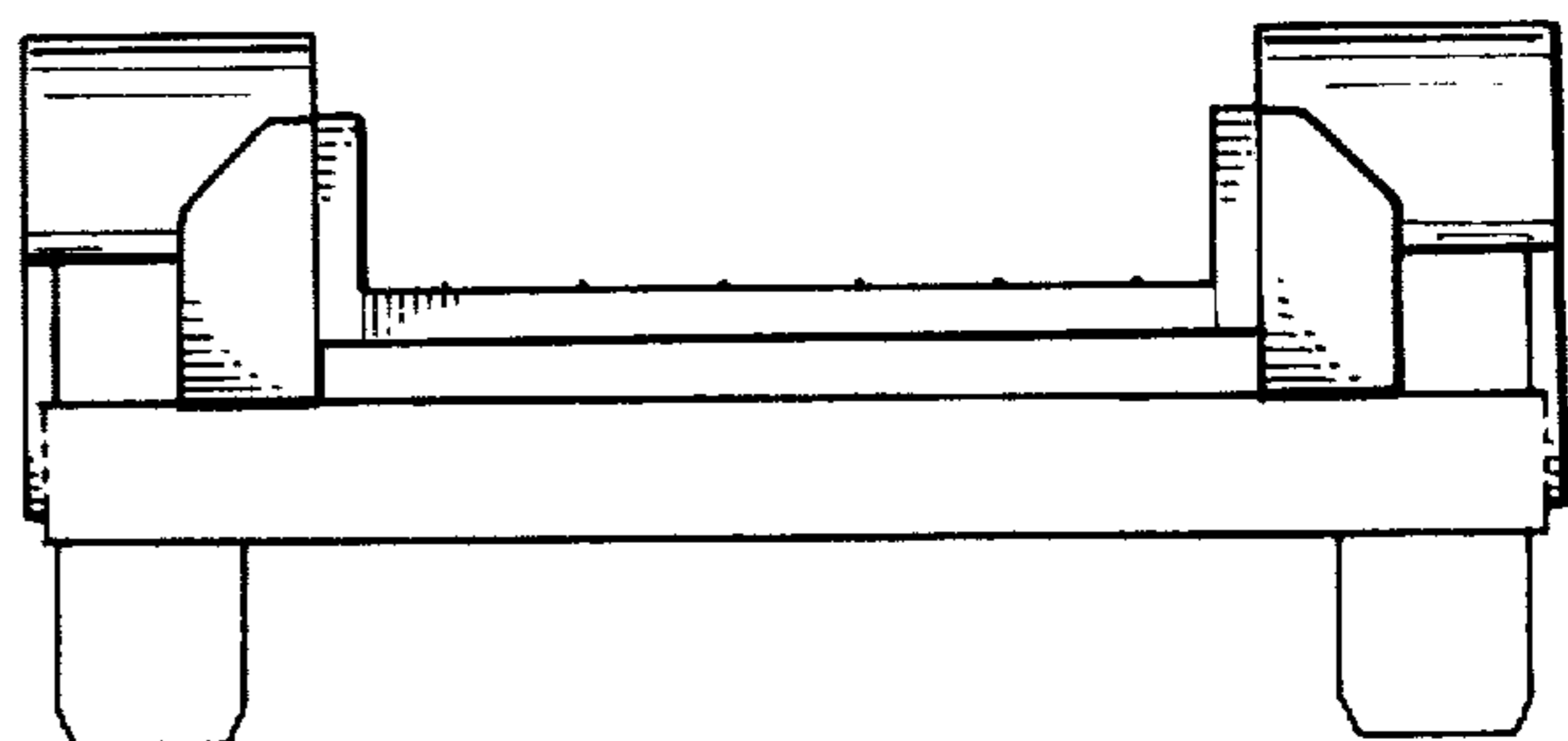


FIG. 5.