

[54] CONTAINER FOR PLANTS, FISH OR THE LIKE

D. 255,273 6/1980 Robert D30/8
D. 259,682 6/1981 Standing D6/113

[76] Inventor: Kevin M. Murray, 143(I) N. Pacific St., San Marcos, Calif. 92069

[**] Term: 14 Years

[21] Appl. No.: 201,358

[22] Filed: Oct. 27, 1980

[51] Int. Cl. D11-02; D30-02

[52] U.S. Cl. D11/145; D11/143; D11/148; D30/6

[58] Field of Search D6/113, 137; D11/143-156, 164; 47/33, 39, 40, 41, 41.12, 41.13, 61, 67-68, 66, 72, 73, 75, 78-81, 85-87; D30/6-11; 119/5

[56] References Cited

U.S. PATENT DOCUMENTS

D. 239,458 4/1976 Wagschal 47/66
D. 240,742 7/1976 Robert D30/8

OTHER PUBLICATIONS

Gift and Art Buyer; 8/44; p. 147; Lucite Cigarette Box. House and Garden; 3/74; p. 144; Lucite Planter with Curved Body.

Primary Examiner—B. J. Bullock
Attorney, Agent, or Firm—Henri J. A. Charmasson

[57] CLAIM

The ornamental design for a container for plants, fish or the like, as shown and described.

DESCRIPTION

FIG. 1 is an overall perspective view of a container for plants, fish or the like showing my new and original design;

FIG. 2 is a front elevational view thereof;

FIG. 3 is a right side elevational view thereof, the left side view being a mirror image of the right side view;

FIG. 4 is a top plan view thereof; and

FIG. 5 is a bottom view thereof.

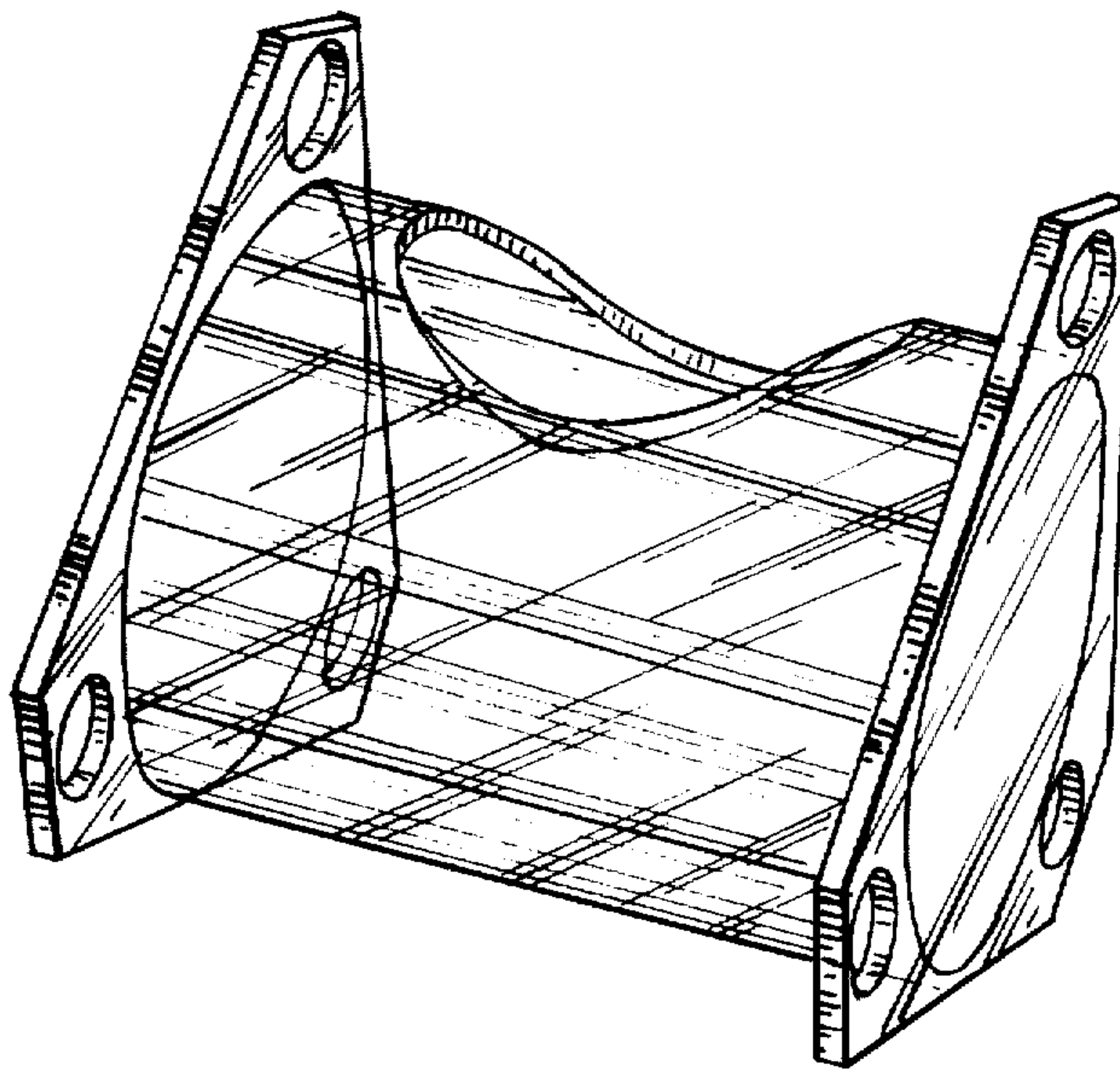


Fig. 1

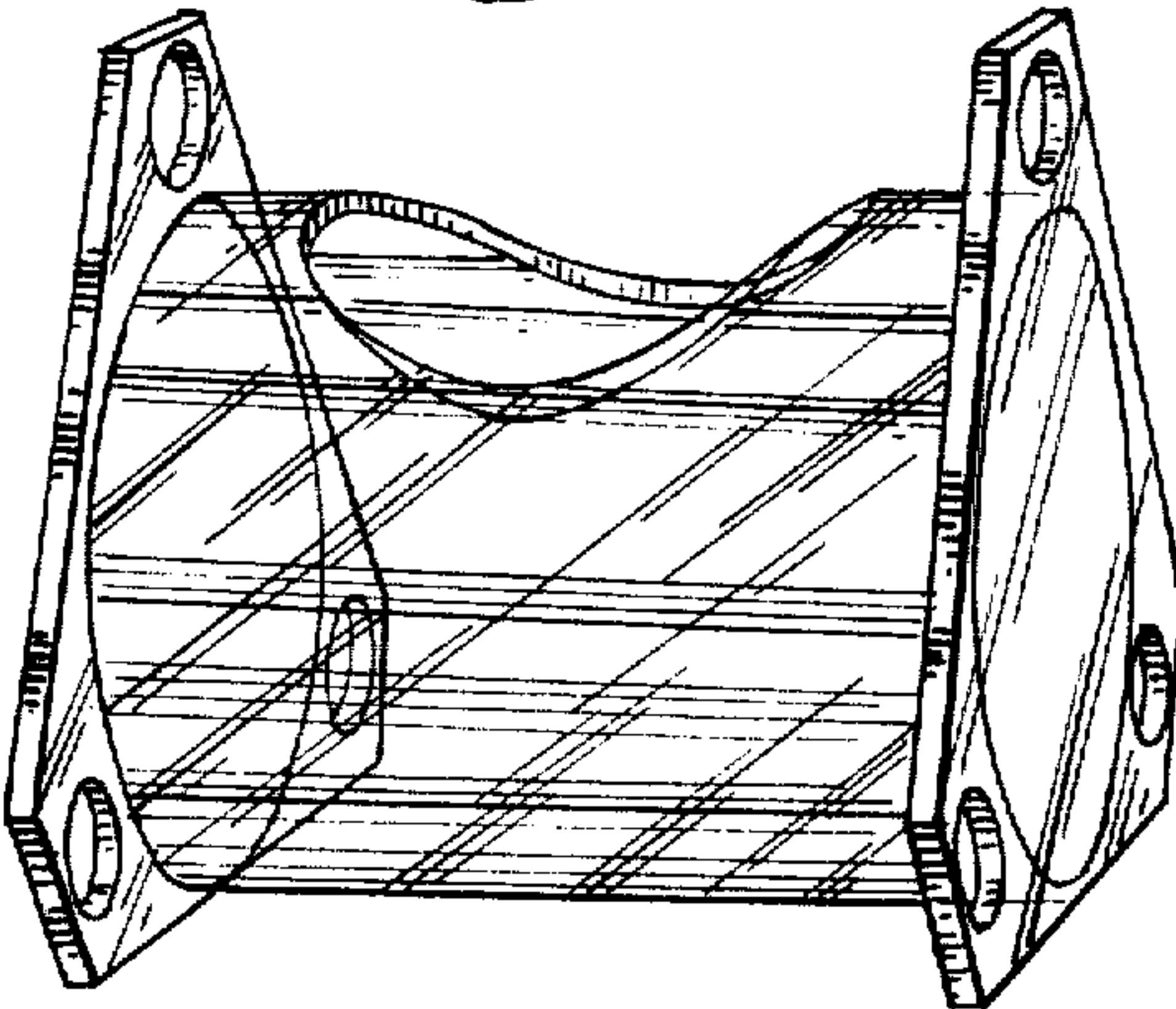


Fig. 2

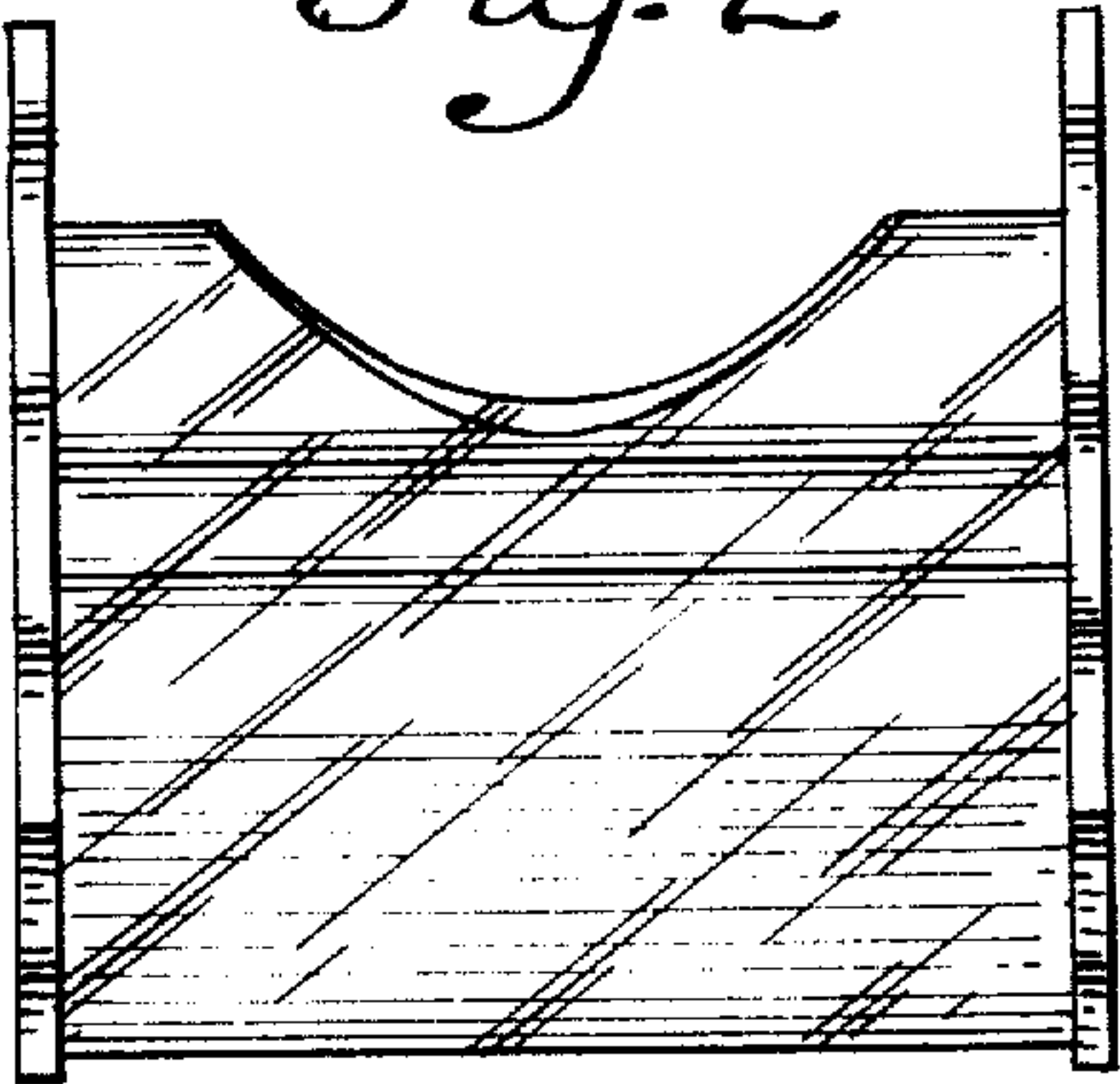


Fig. 3

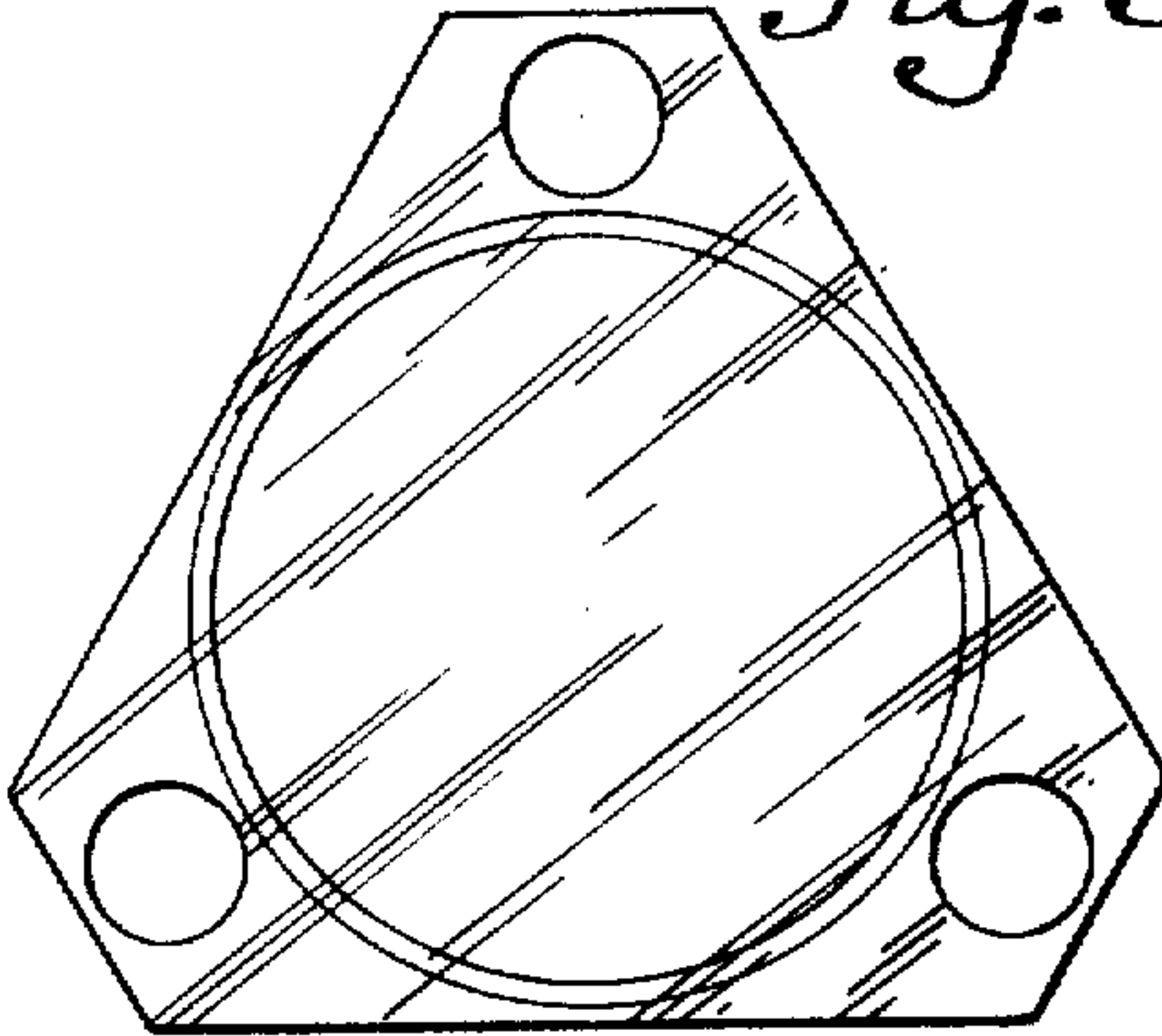


Fig. 4

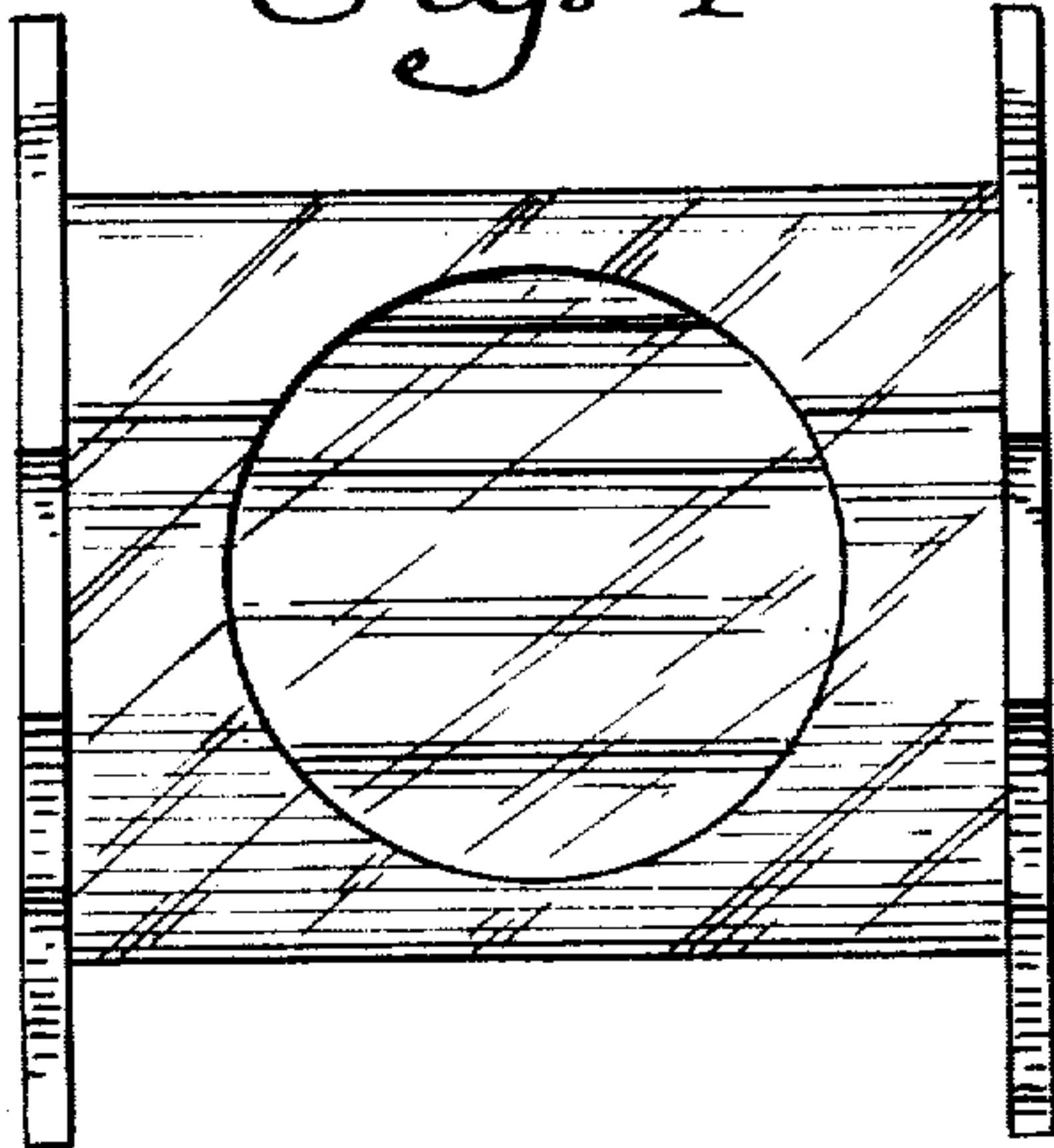


Fig. 5

