

[54] TYPEWRITER

[75] Inventors: Gordon P. Bruce, New Milford; David C. Danielson, Rowayton, both of Conn.; Robert E. Griffith, Lexington, Ky.; Allen D. Hawthorne, New Canaan, Conn.; Jeffrey L. Quedenfeld, Bridgeport, Conn.; Paul F. Siegel, Ridgefield, Conn.

[73] Assignee: International Business Machines Corporation, Armonk, N.Y.

[\*\*] Term: 14 Years

[21] Appl. No.: 145,545

[22] Filed: May 1, 1980

[51] Int. Cl. .... D18-01

[52] U.S. Cl. .... D18/1

[58] Field of Search .... D18/1, 2, 12; 400/689-690.1, 690.4, 691-693

[56] References Cited

U.S. PATENT DOCUMENTS

- D. 217,106 4/1970 Noyes ..... D18/1
- D. 222,707 12/1971 Yotsukura ..... D18/1
- 3,513,938 5/1970 Buehner et al. .... 400/690.1

OTHER PUBLICATIONS

*Office Products*, 10/1978, p. 198—Typewriter w/Sound Hood at top.

*Primary Examiner*—Louis S. Zarfes  
*Attorney, Agent, or Firm*—Laurence R. Letson

[57]

CLAIM

The ornamental design for a typewriter, as shown and described.

DESCRIPTION

FIG. 1 is a right front perspective view of a typewriter showing our new design; the keyboard being continuous over the span indicated by dot-dash lines for ease of illustration.

FIG. 2 is a left front perspective view thereof;

FIG. 3 is a left rear perspective view thereof;

FIG. 4 is a right rear perspective view thereof;

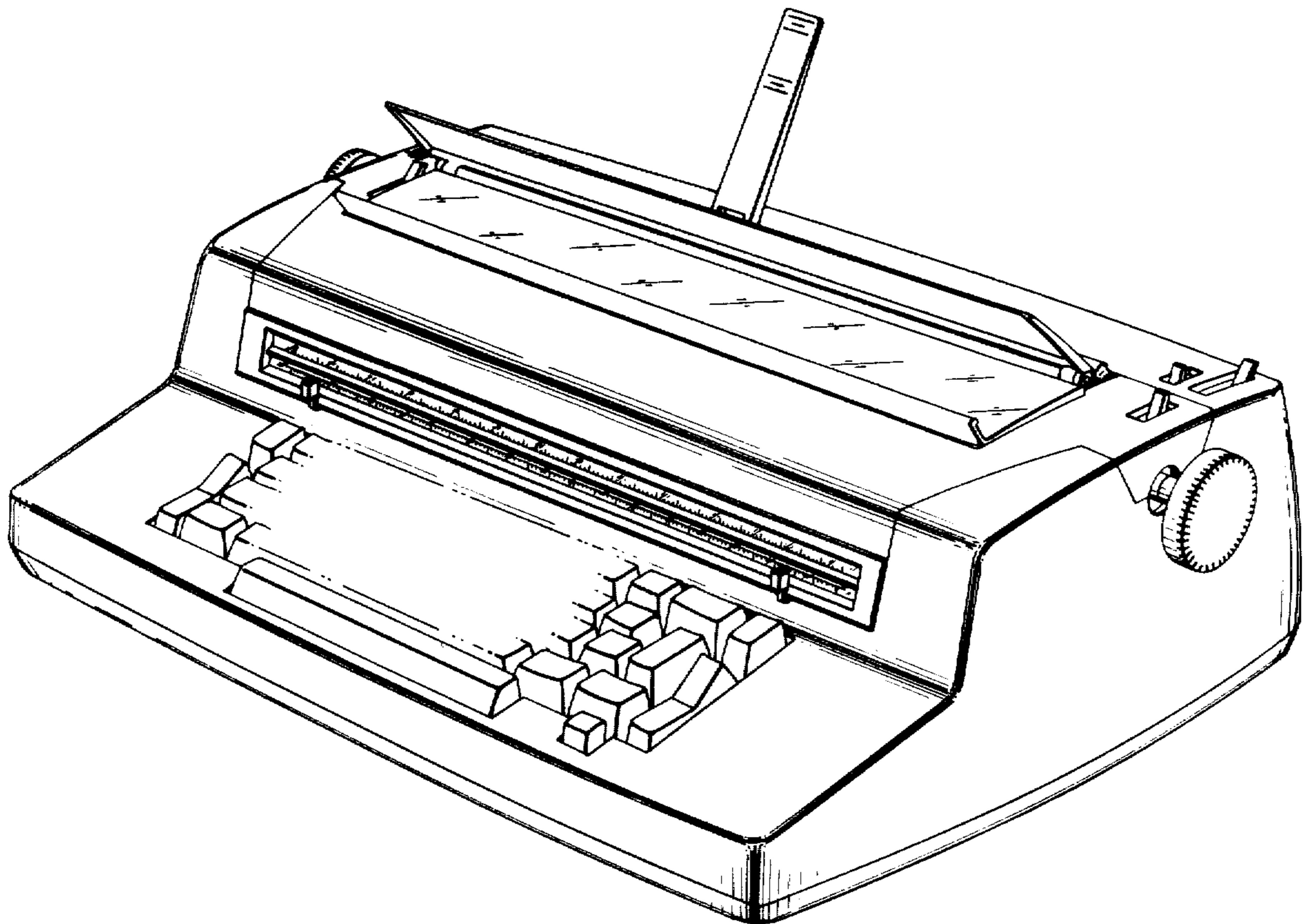
FIG. 5 is a bottom plan view thereof;

FIG. 6 is a front perspective view of a typewriter without the sound hood as shown in FIGS. 1-4, showing our new design;

FIG. 7 is a left front perspective view thereof;

FIG. 8 is a left rear perspective view thereof; and

FIG. 9 is the right rear perspective view thereof.



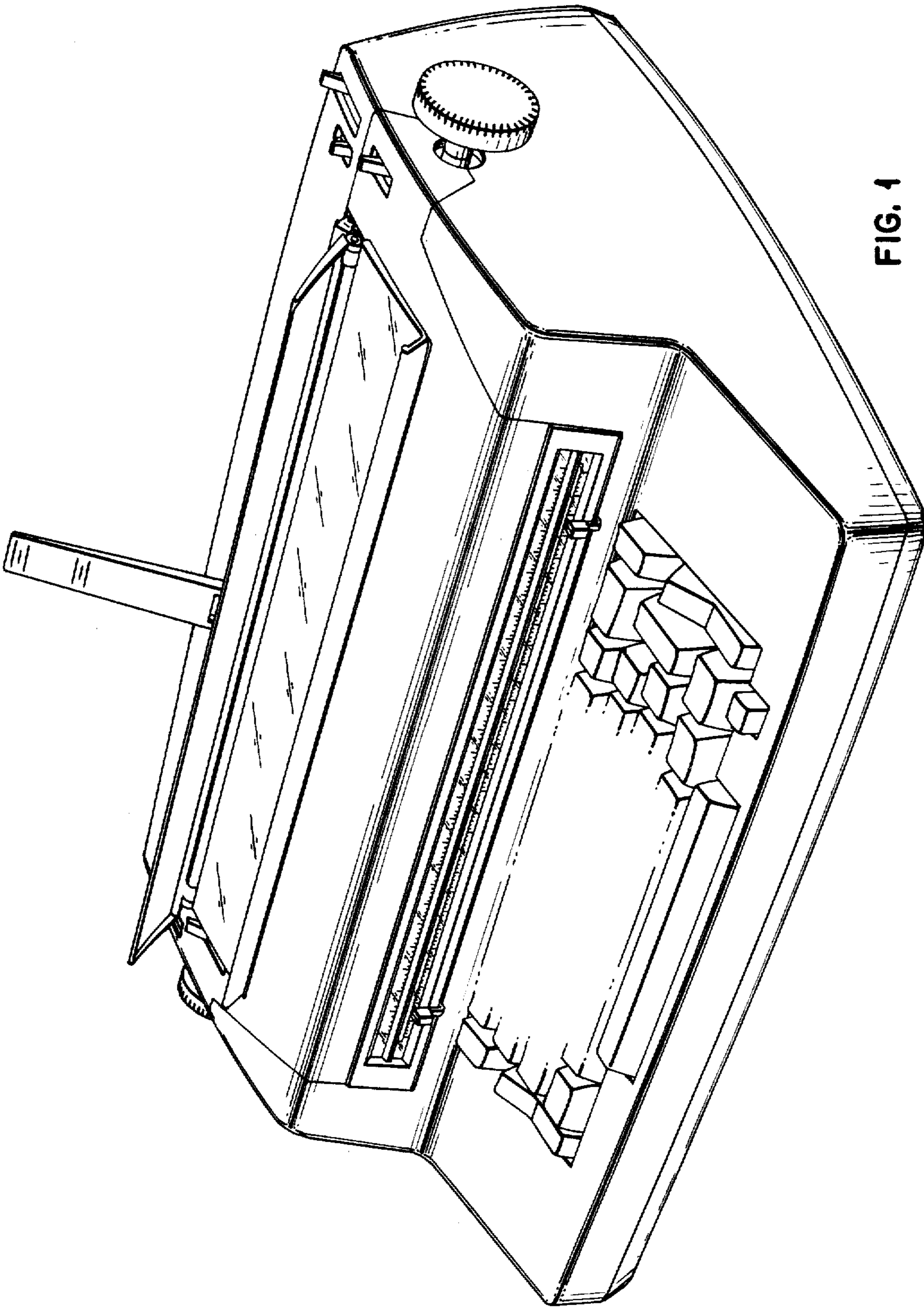


FIG. 1



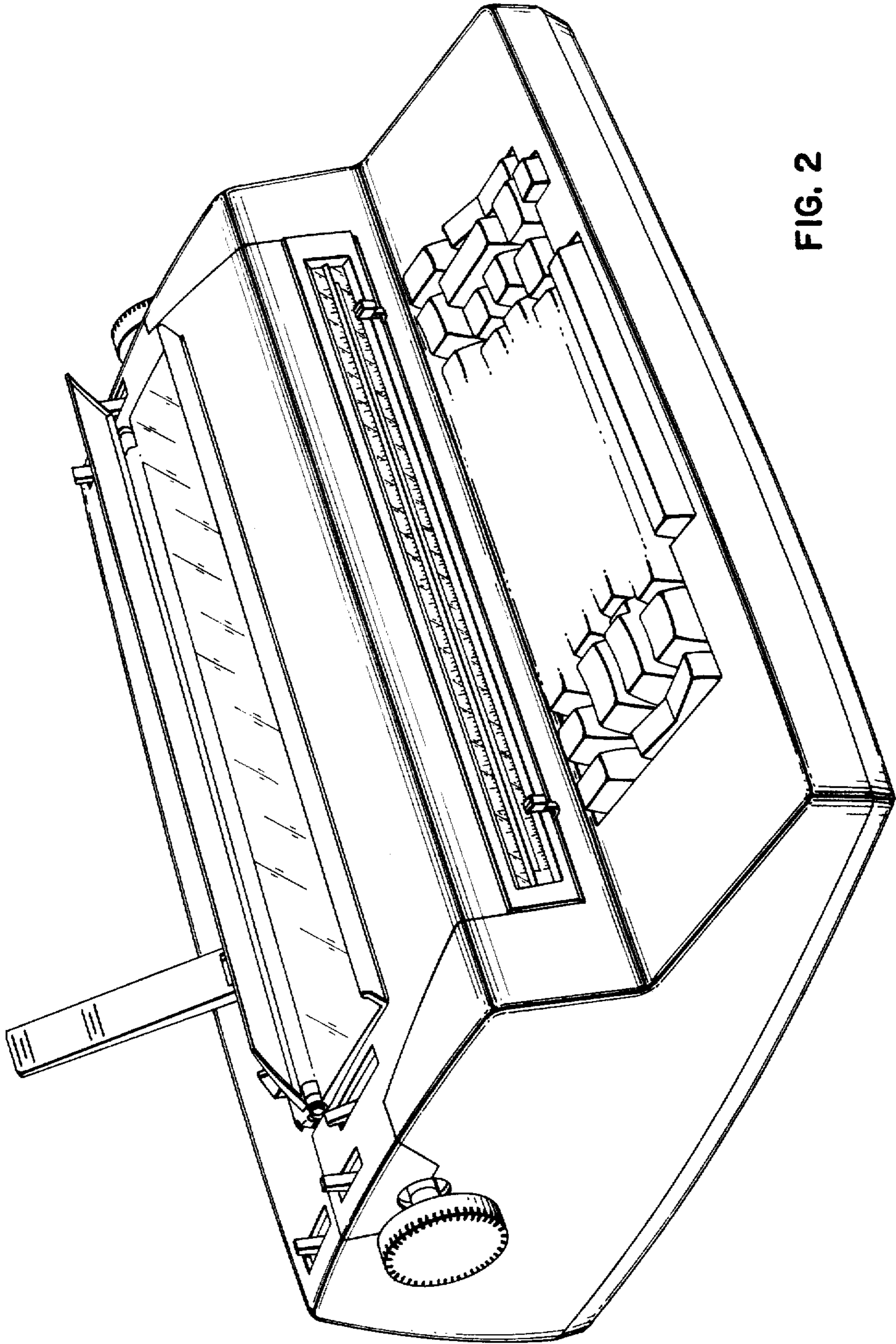


FIG. 2

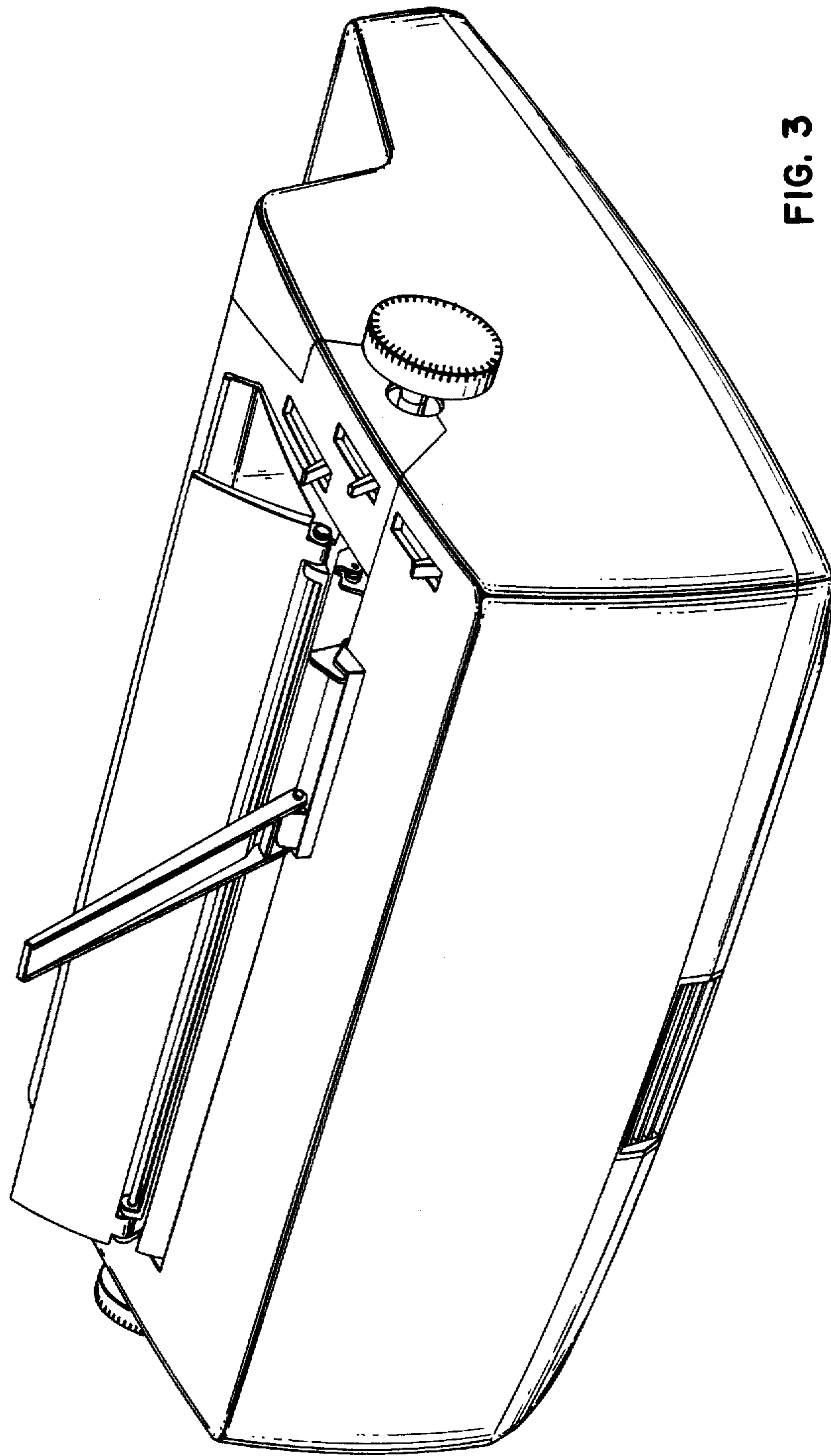


FIG. 3

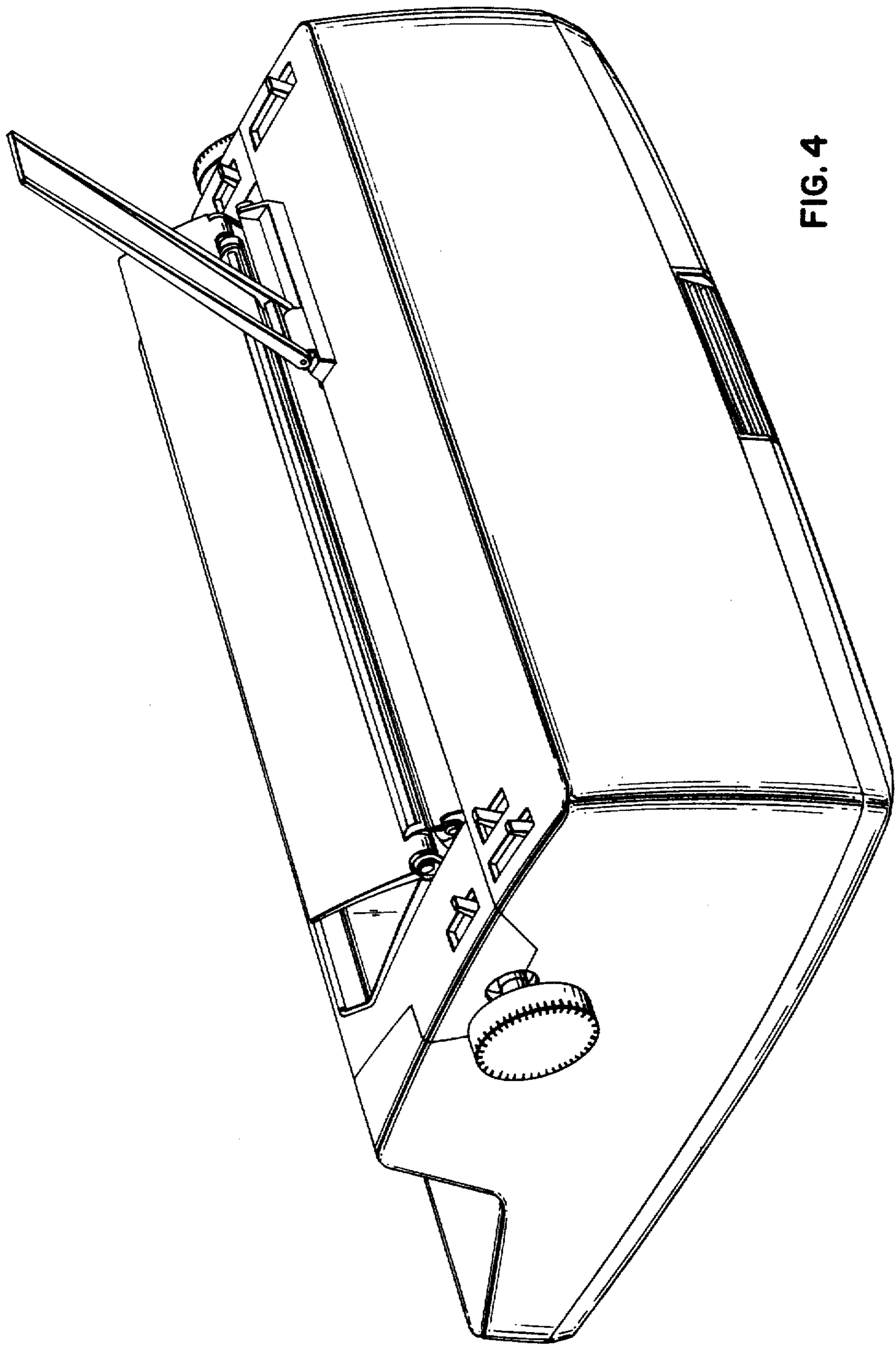


FIG. 4

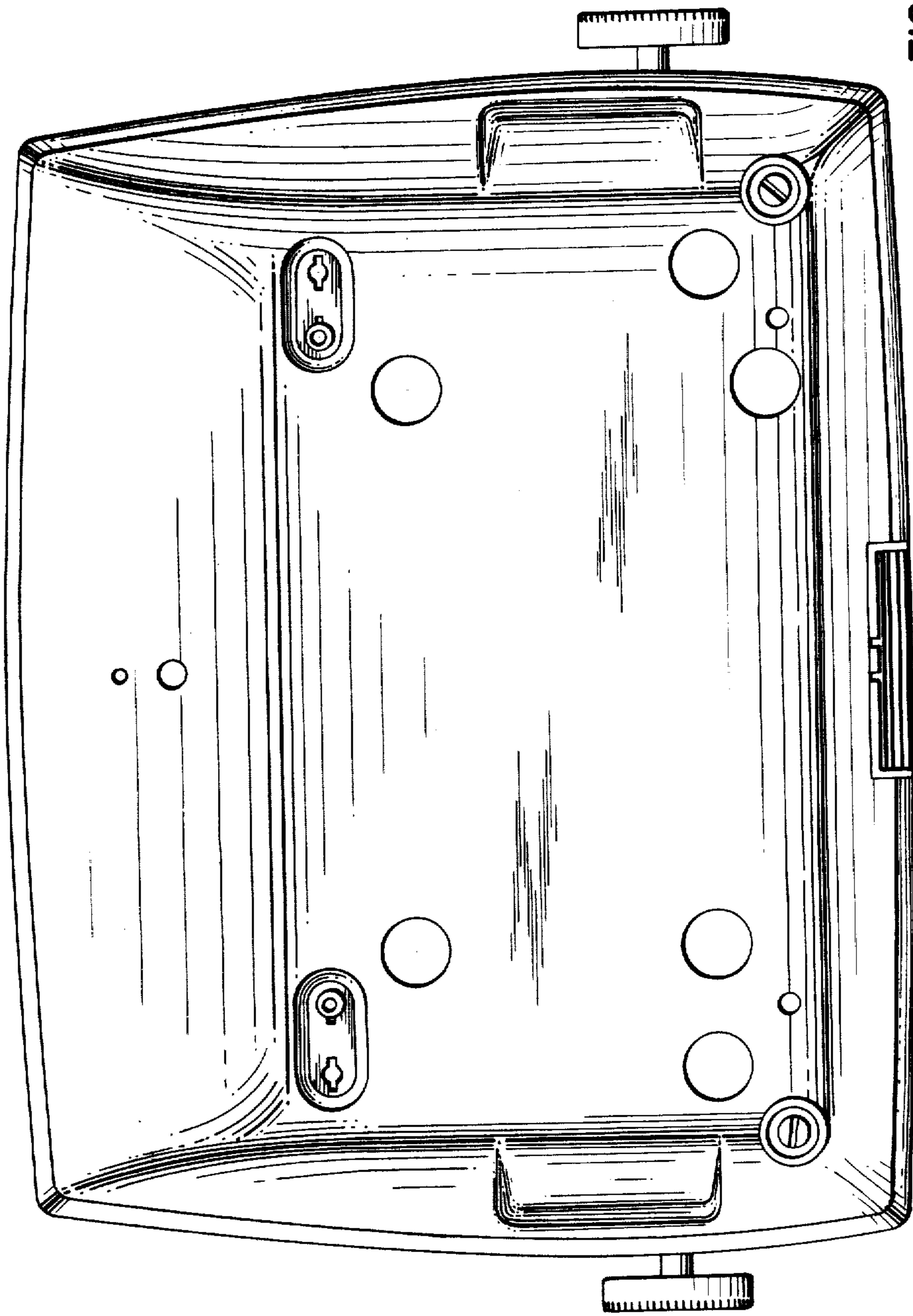


FIG. 5



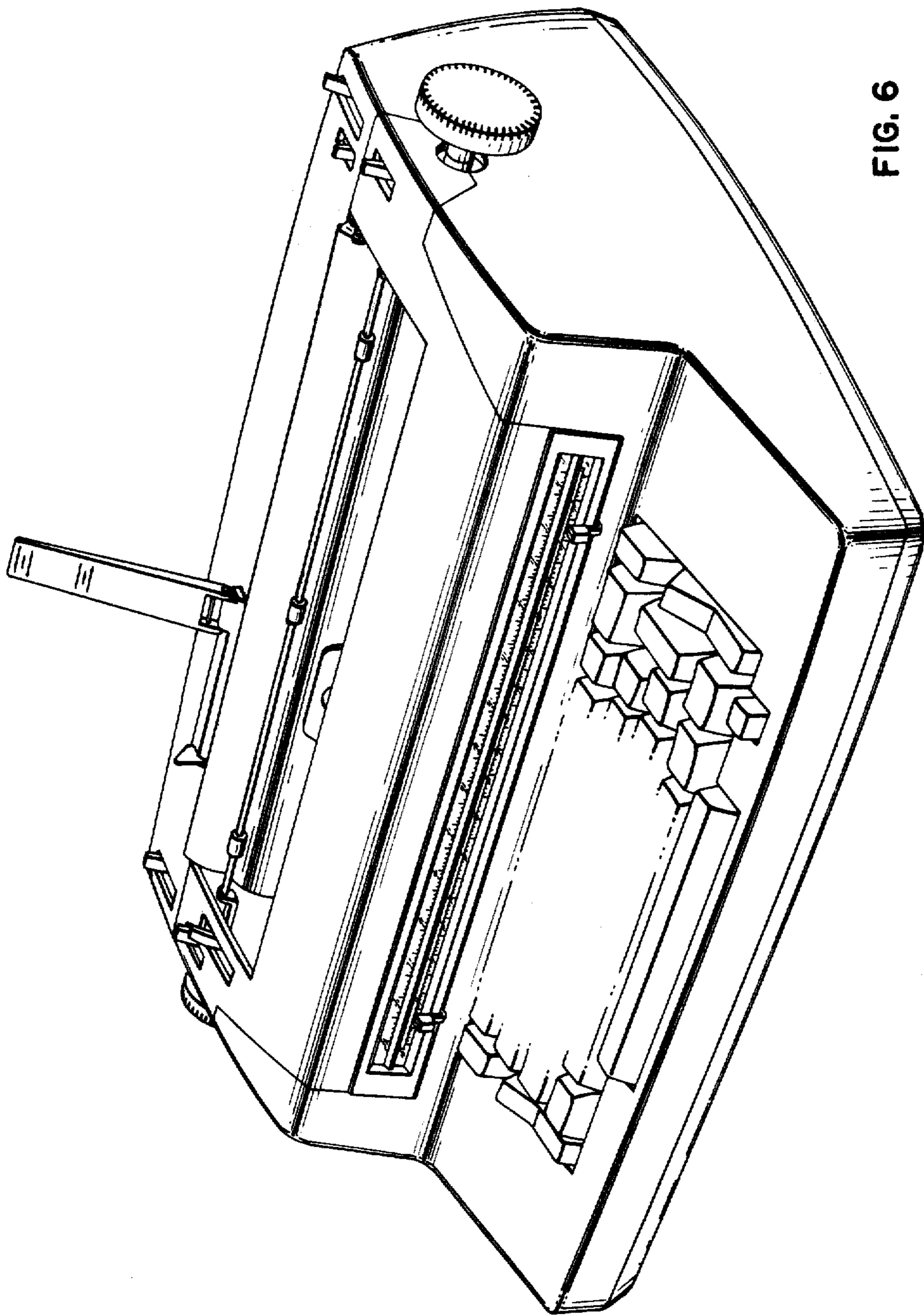


FIG. 6

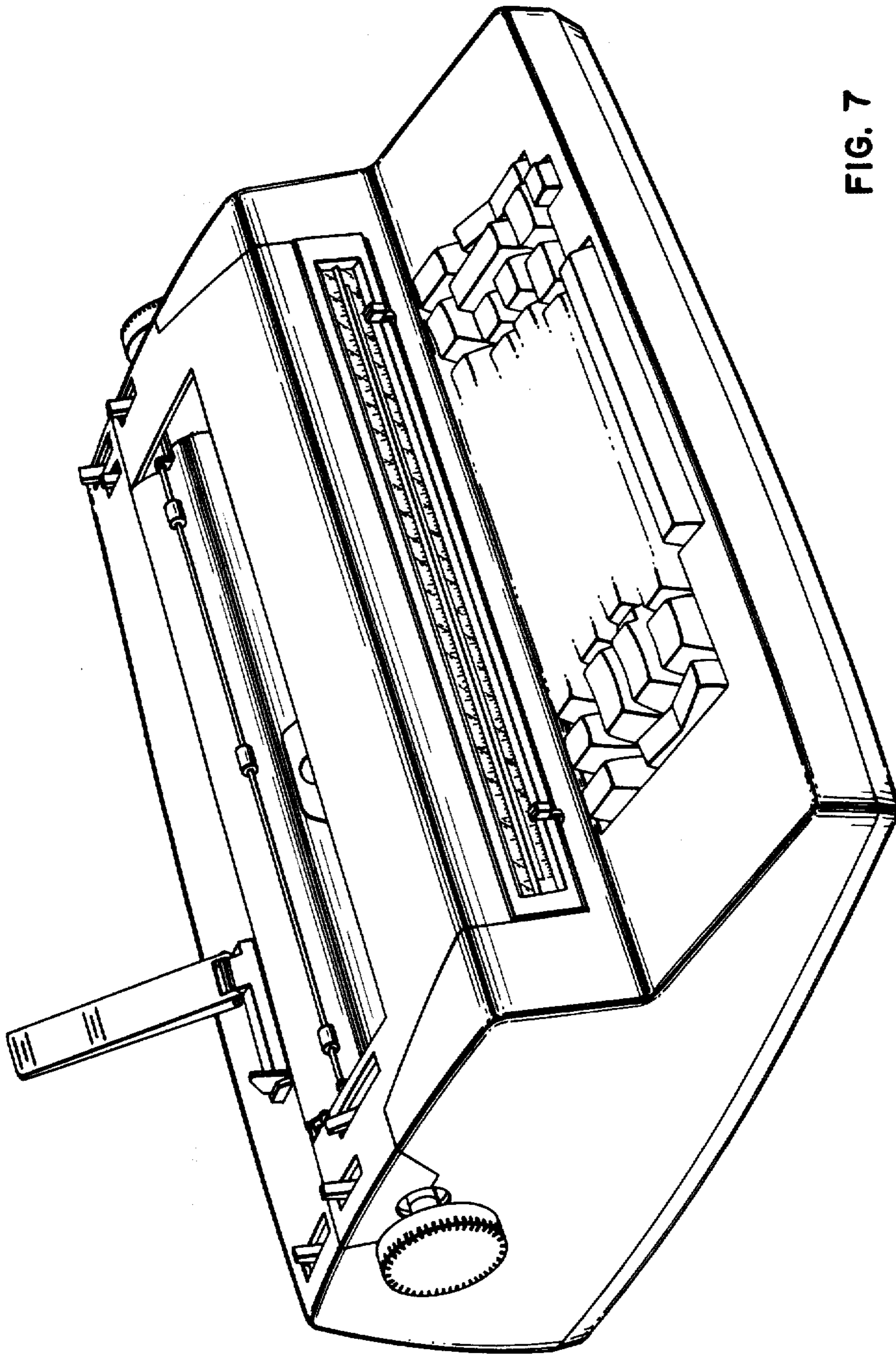


FIG. 7



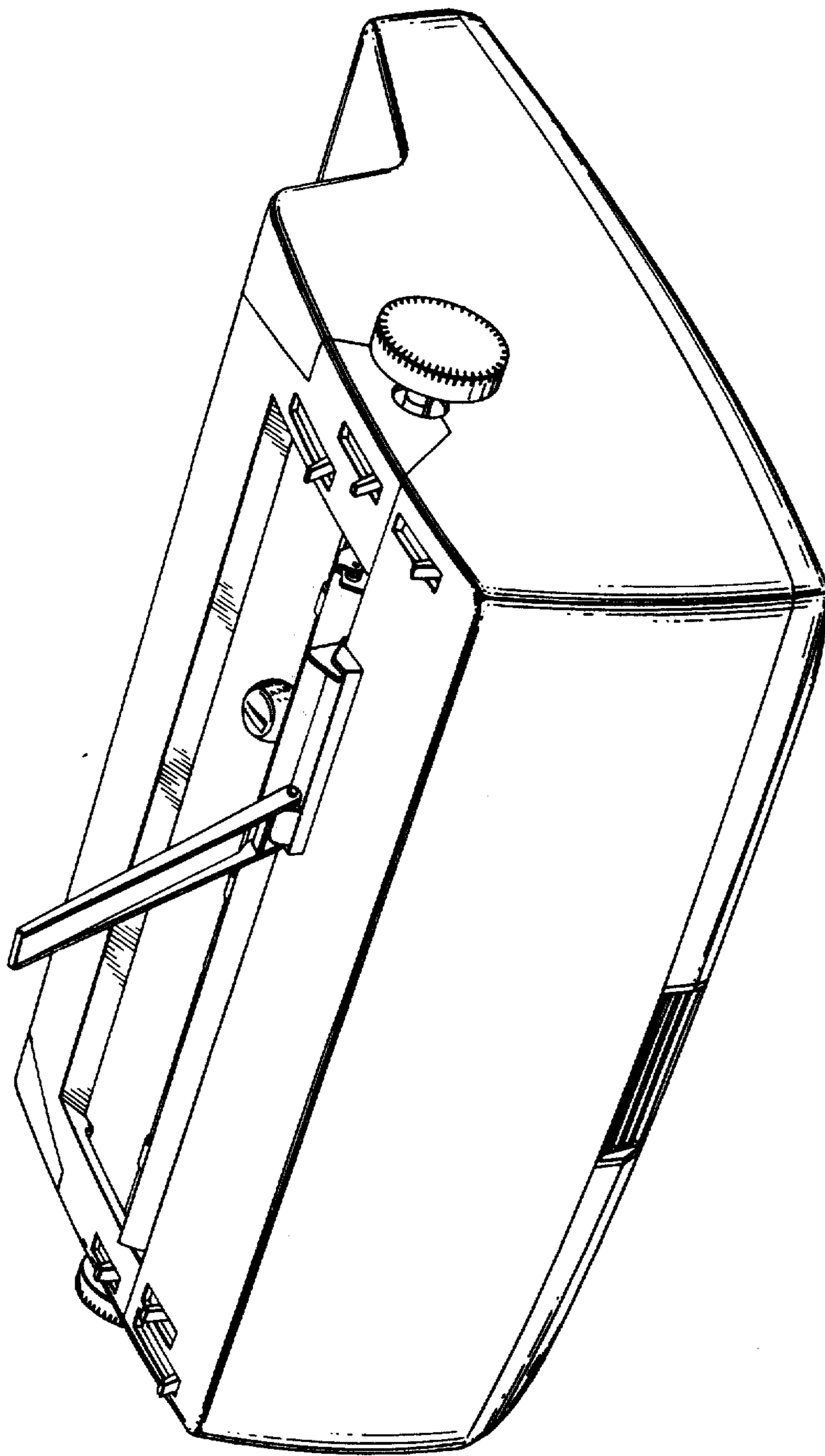


FIG. 8

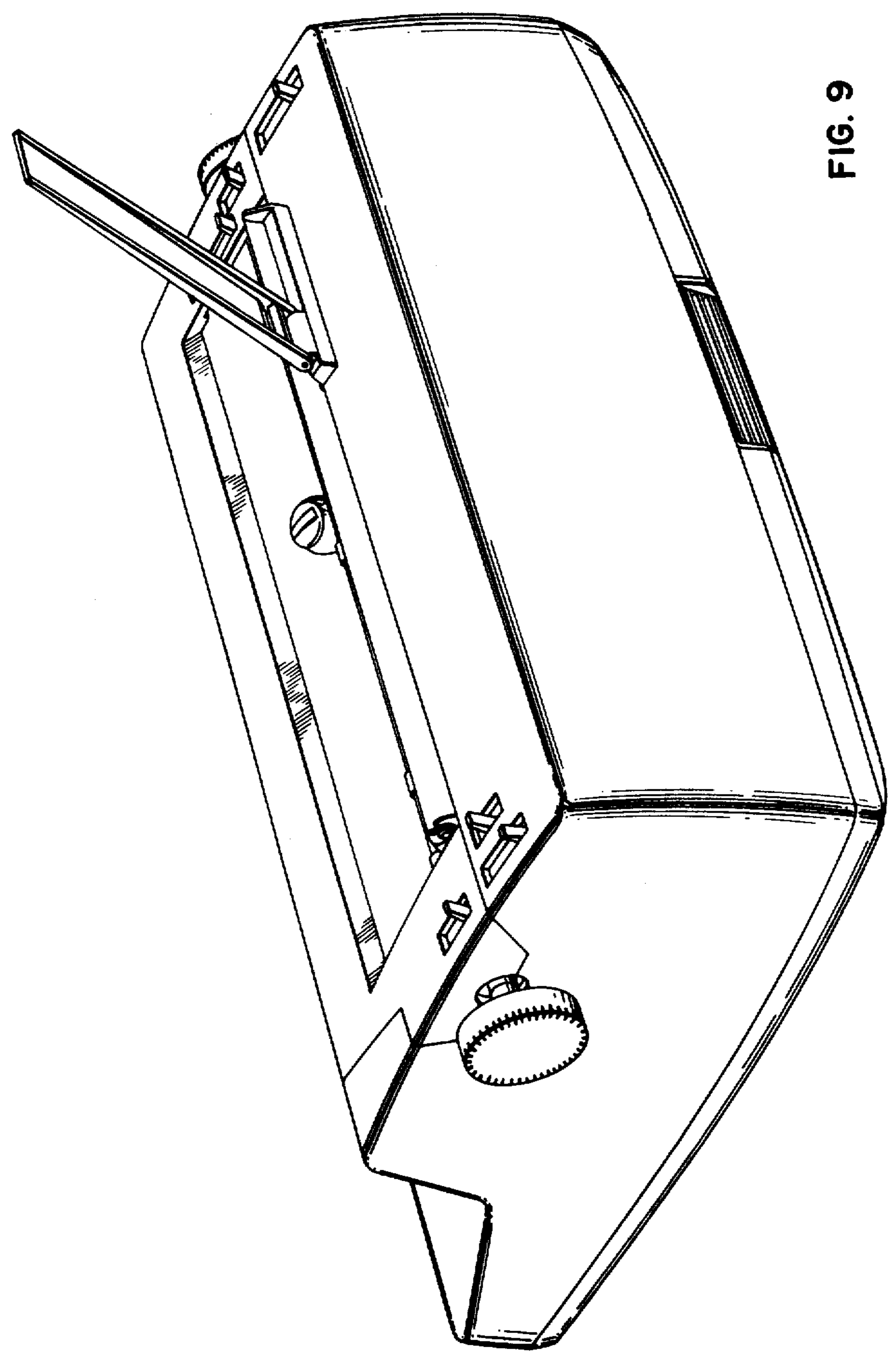


FIG. 9