

[54] COASTER FOR A BEVERAGE CAN
[76] Inventor: **Ralph W. Meldrum, Jr.**, 7465 Layton St., Cucamonga, Calif. 91730

D. 187,546 3/1960 Craven D11/76 X
D. 189,791 2/1961 Fitzgerald D7/45
957,267 5/1910 Sowell D7/45
2,570,954 10/1951 Kasman 215/100.5

[**] Term: **14 Years**

Primary Examiner—Winifred E. Herrmann
Attorney, Agent, or Firm—Herbert E. Kidder

[21] Appl. No.: **218,534**

[57] **CLAIM**

[22] Filed: **Dec. 22, 1980**

The ornamental design for a coaster for a beverage can, as shown.

[51] Int. Cl. **D7-06**

[52] U.S. Cl. **D7/45; D11/76**

[58] Field of Search **D7/45, 5; 215/100.5; 248/346.1; D11/70, 79, 81, 76**

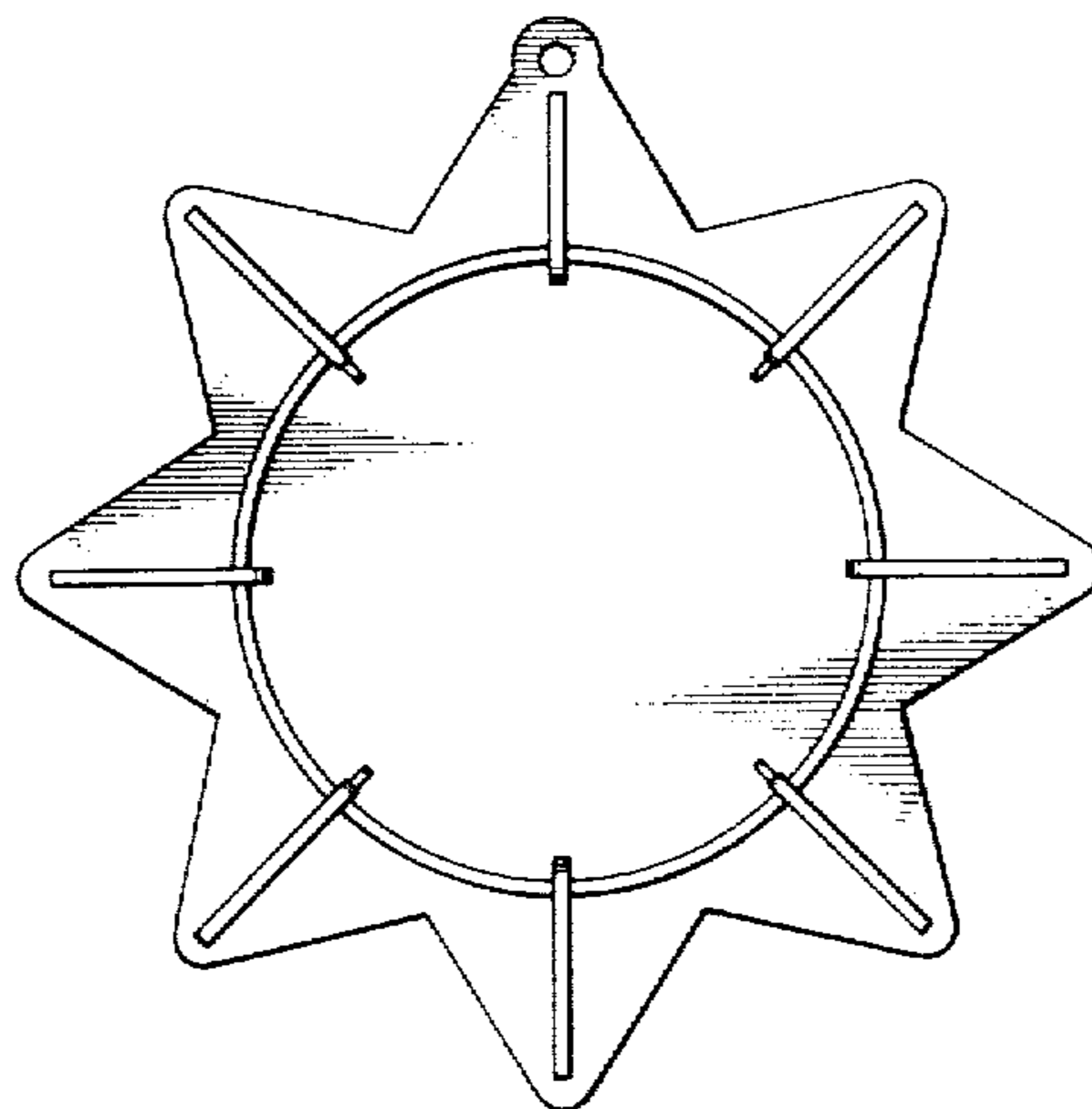
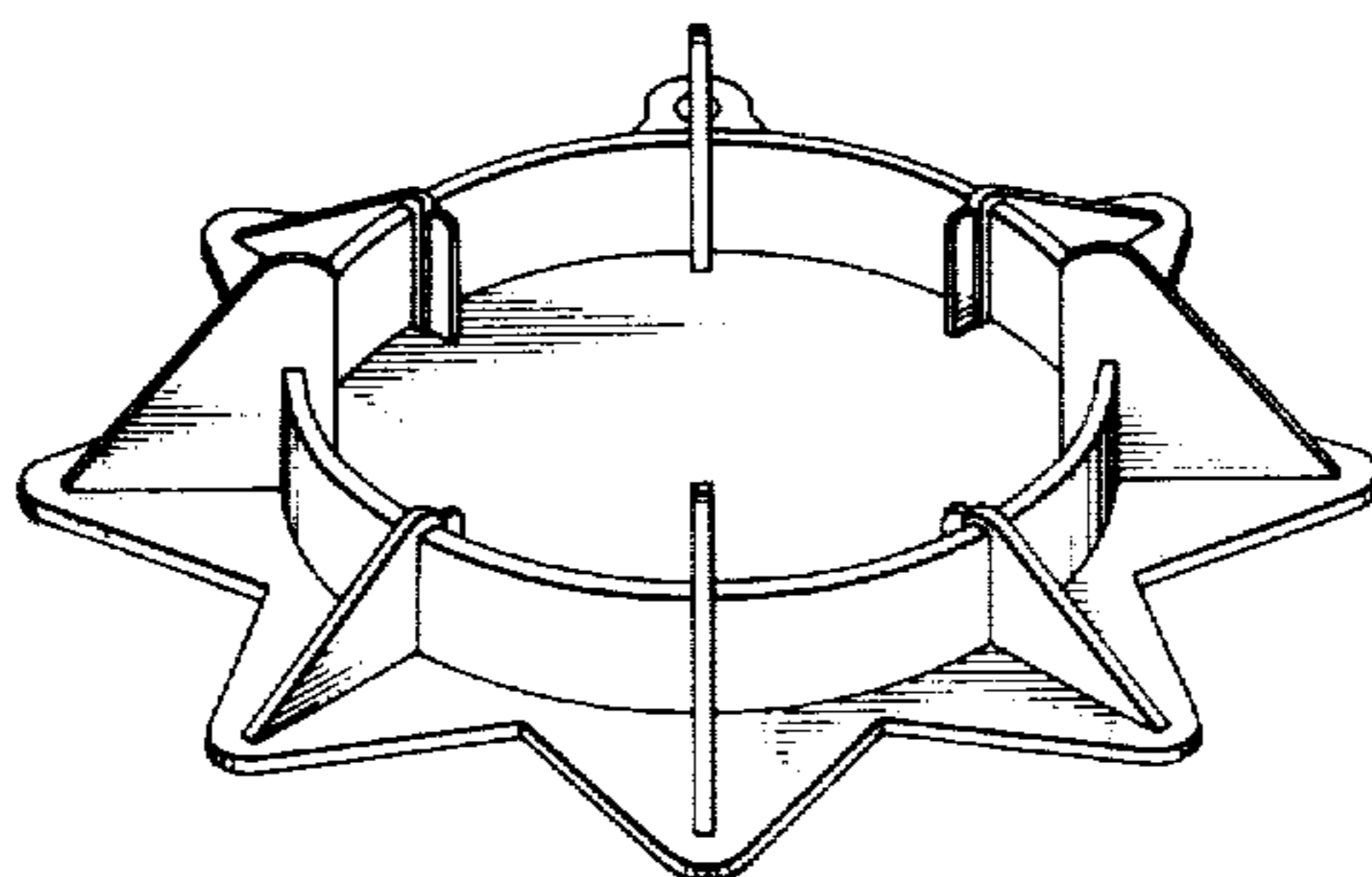
DESCRIPTION

[56] **References Cited**

U.S. PATENT DOCUMENTS

D. 137,411 3/1944 Peyrot D11/70
D. 142,284 8/1945 Keating D11/182 X
D. 166,866 5/1952 Nye D7/45

FIG. 1 is a top perspective view of a coaster for a beverage can showing my new design;
FIG. 2 is a top plan view thereof;
FIG. 3 is a side elevational view thereof;
FIG. 4 is another side elevational view thereof at a viewpoint shifted 45 degrees from that of FIG. 3; and,
FIG. 5 is a bottom plan view thereof.



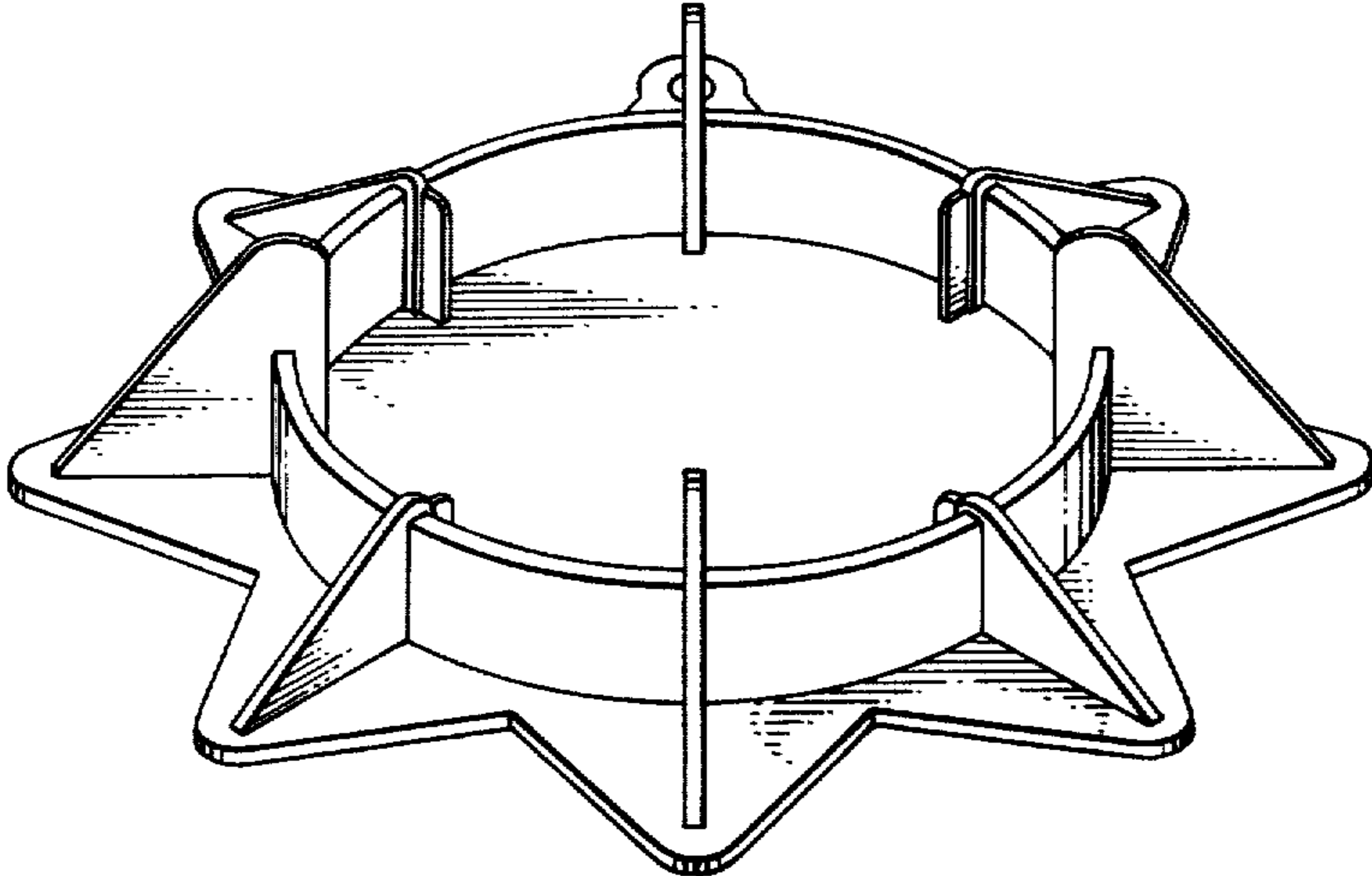
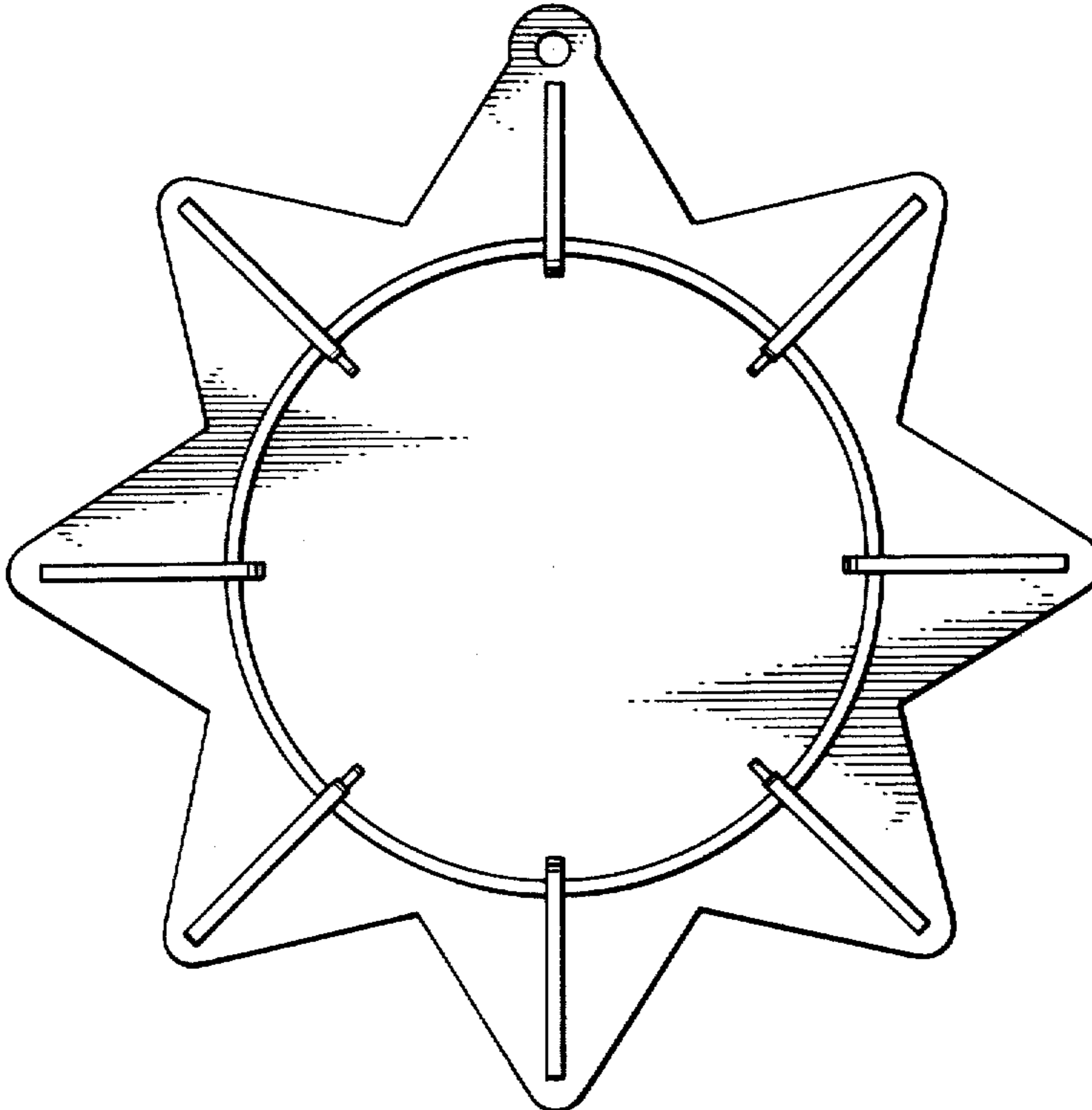


FIG. 1.

FIG. 2.



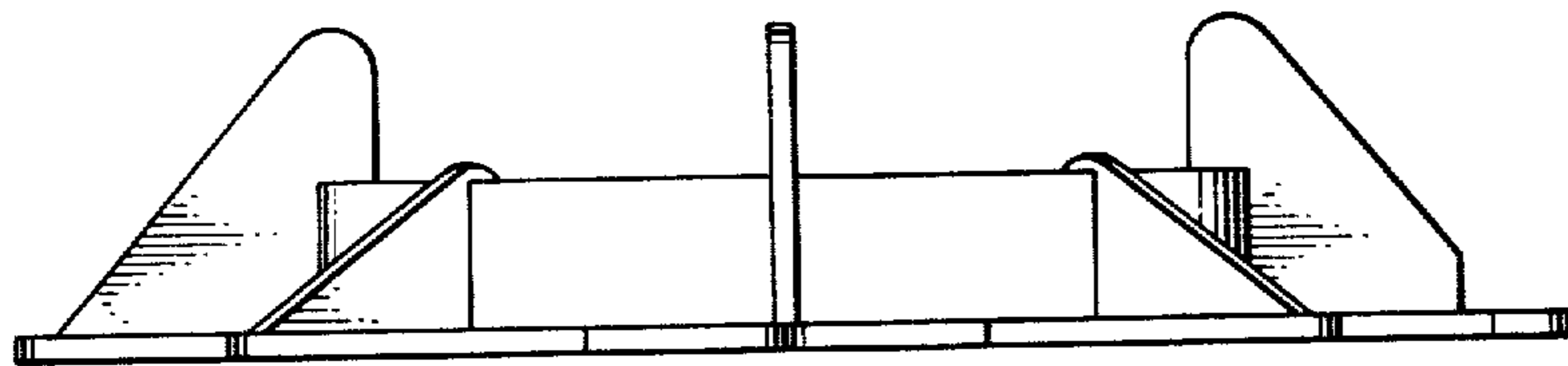


FIG. 3.

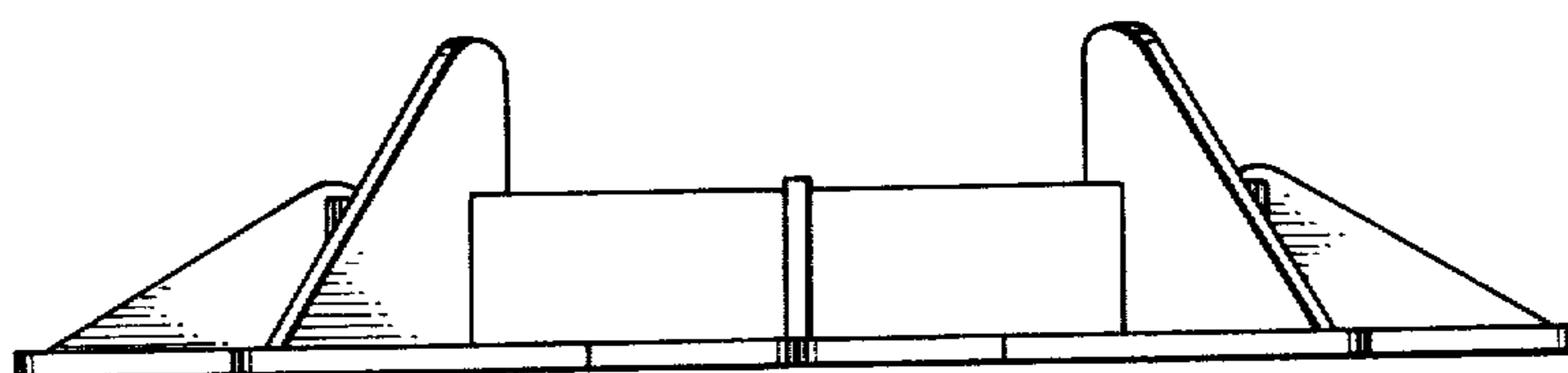


FIG. 4.

FIG. 5.

