

[54] BATHROOM TUMBLER

[76] Inventor: Bruce R. Thompson, 32 Shakespeare Ave., Tranmere, South Australia, Australia

[**] Term: 14 Years

[21] Appl. No.: 121,248

[22] Filed: Feb. 13, 1980

[51] Int. Cl. D7-01

[52] U.S. Cl. D7/6; D7/15

[58] Field of Search D7/6-15, D7/70; D9/378, 381, 383, 405; 229/1.5 B, 2.5 R, 4.5

[56] References Cited

U.S. PATENT DOCUMENTS

D. 201,926 8/1965 Roach D9/432

D. 239,151 3/1976 Lundin D7/6
D. 240,284 5/1976 Sarpaneva D7/11
D. 256,309 8/1980 Saffell D7/11

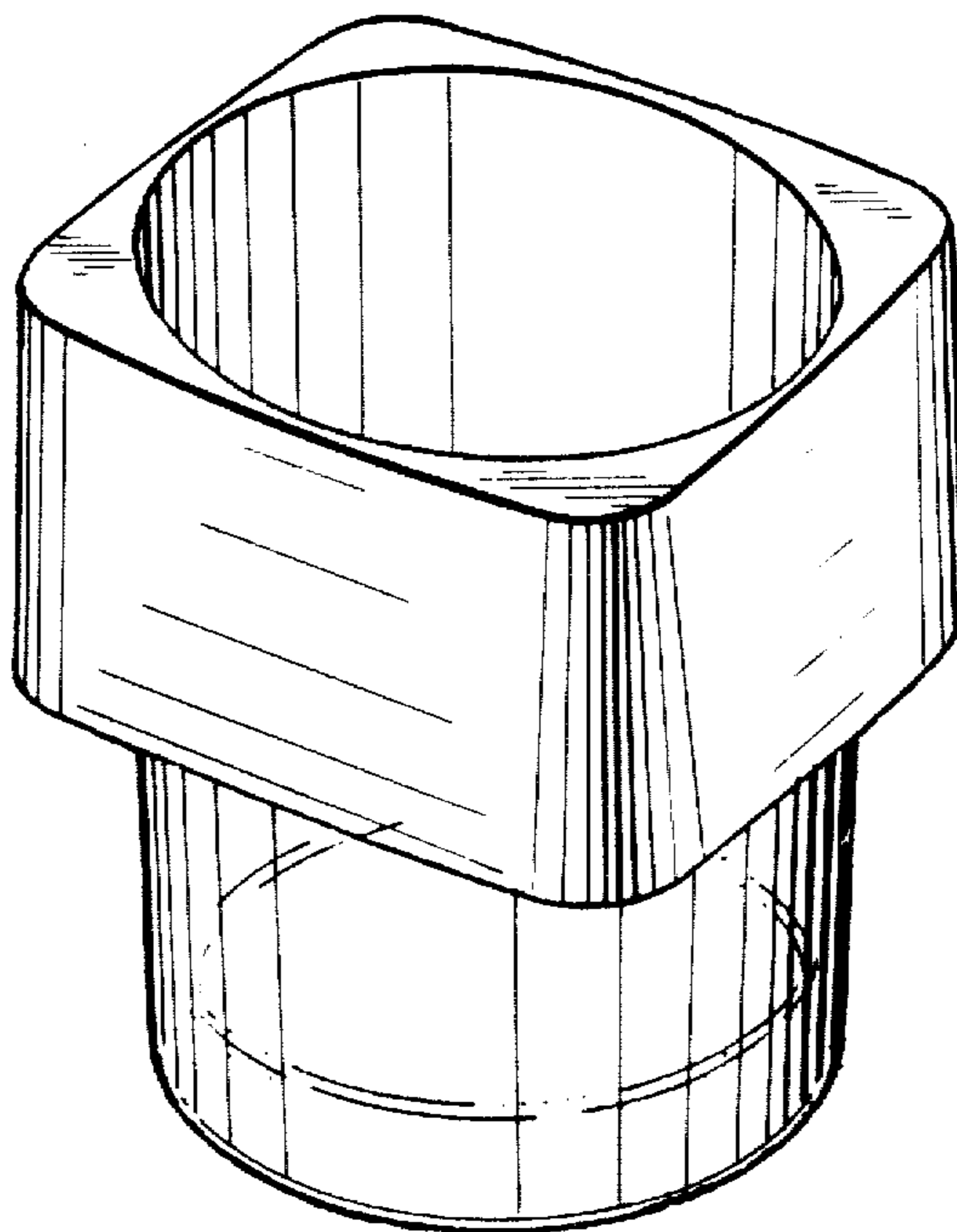
Primary Examiner—Leland A. Sebastian
Attorney, Agent, or Firm—McDougall, Hersh & Scott

[57] CLAIM

The ornamental design for a bathroom tumbler, as shown.

DESCRIPTION

FIG. 1 is a perspective view of a bathroom tumbler showing my new design;
FIG. 2 is a top plan view thereof;
FIG. 3 is a bottom plan view thereof;
FIG. 4 is a side elevation view, all sides being the same; and
FIG. 5 is a sectional view taken along the line 5-5 of FIG. 2.



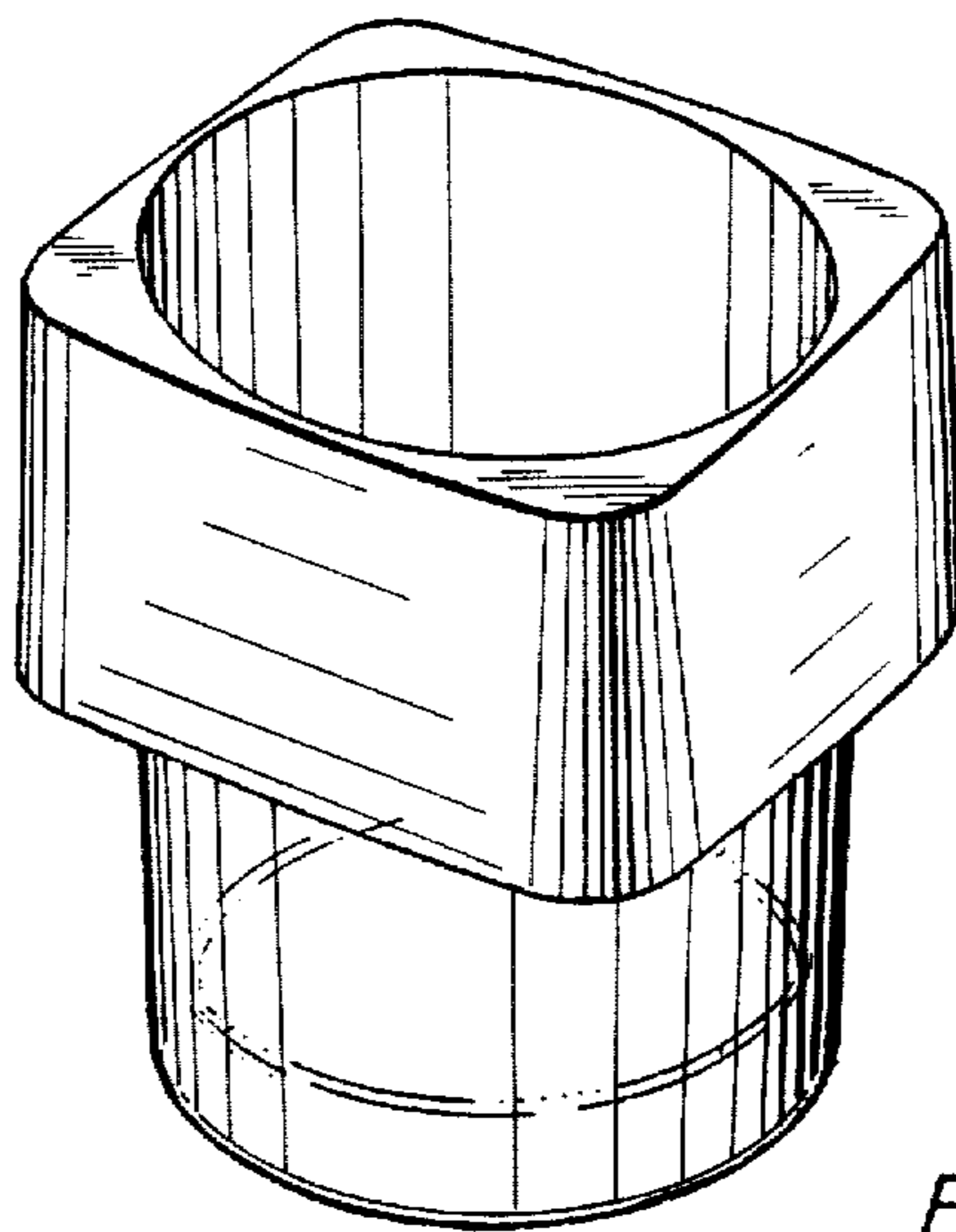


FIG. 1

FIG. 2

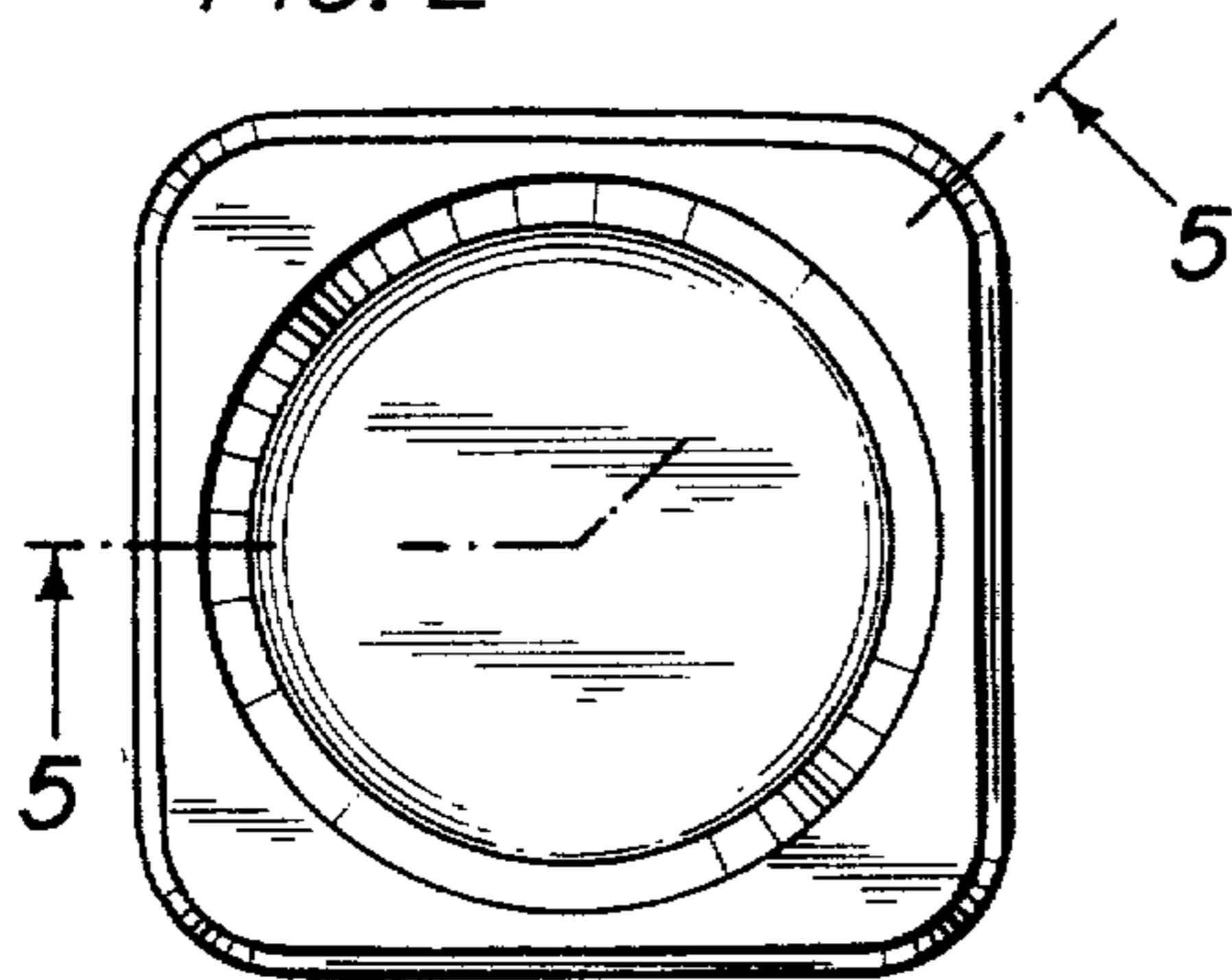


FIG. 3

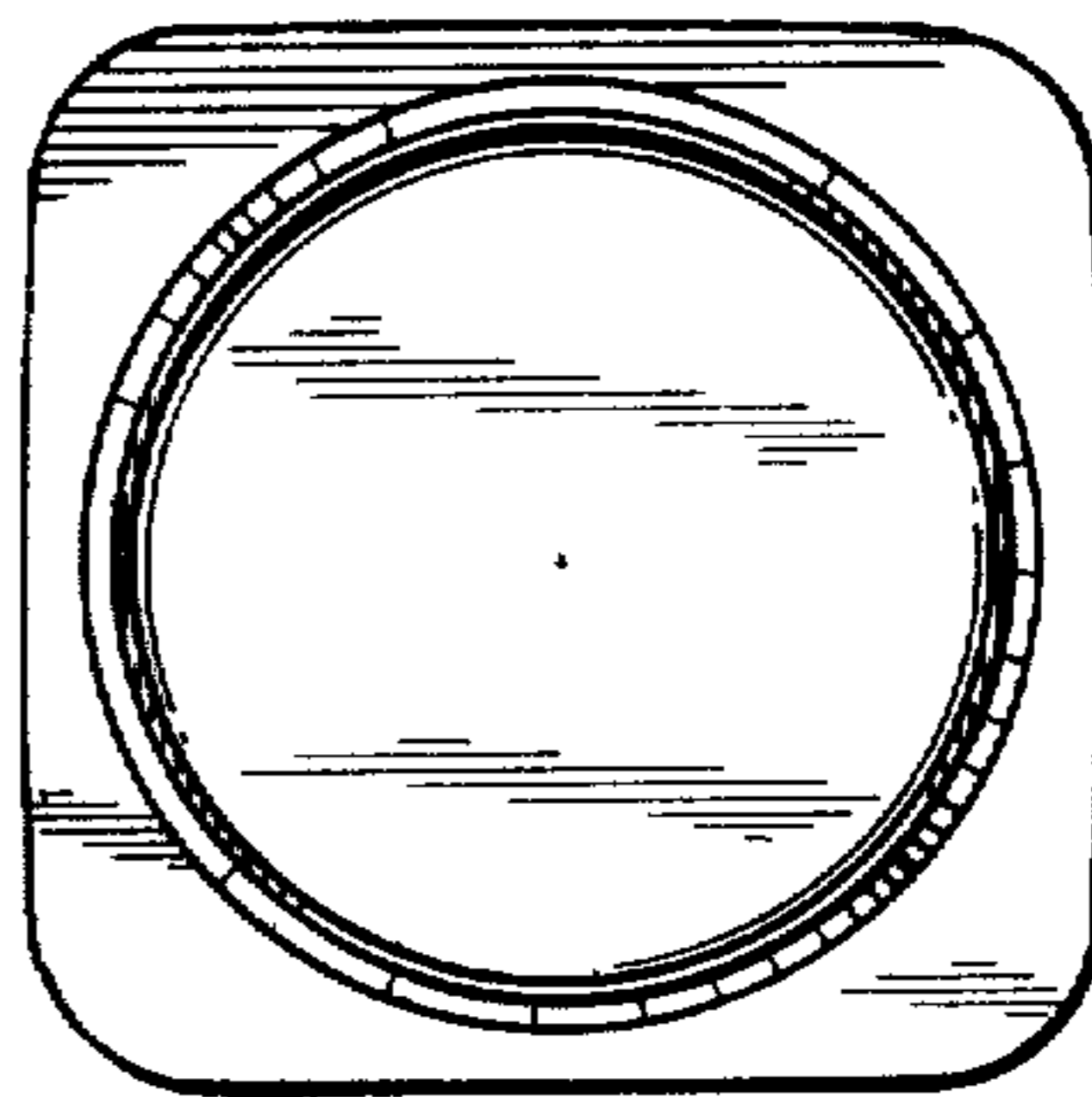


FIG. 4

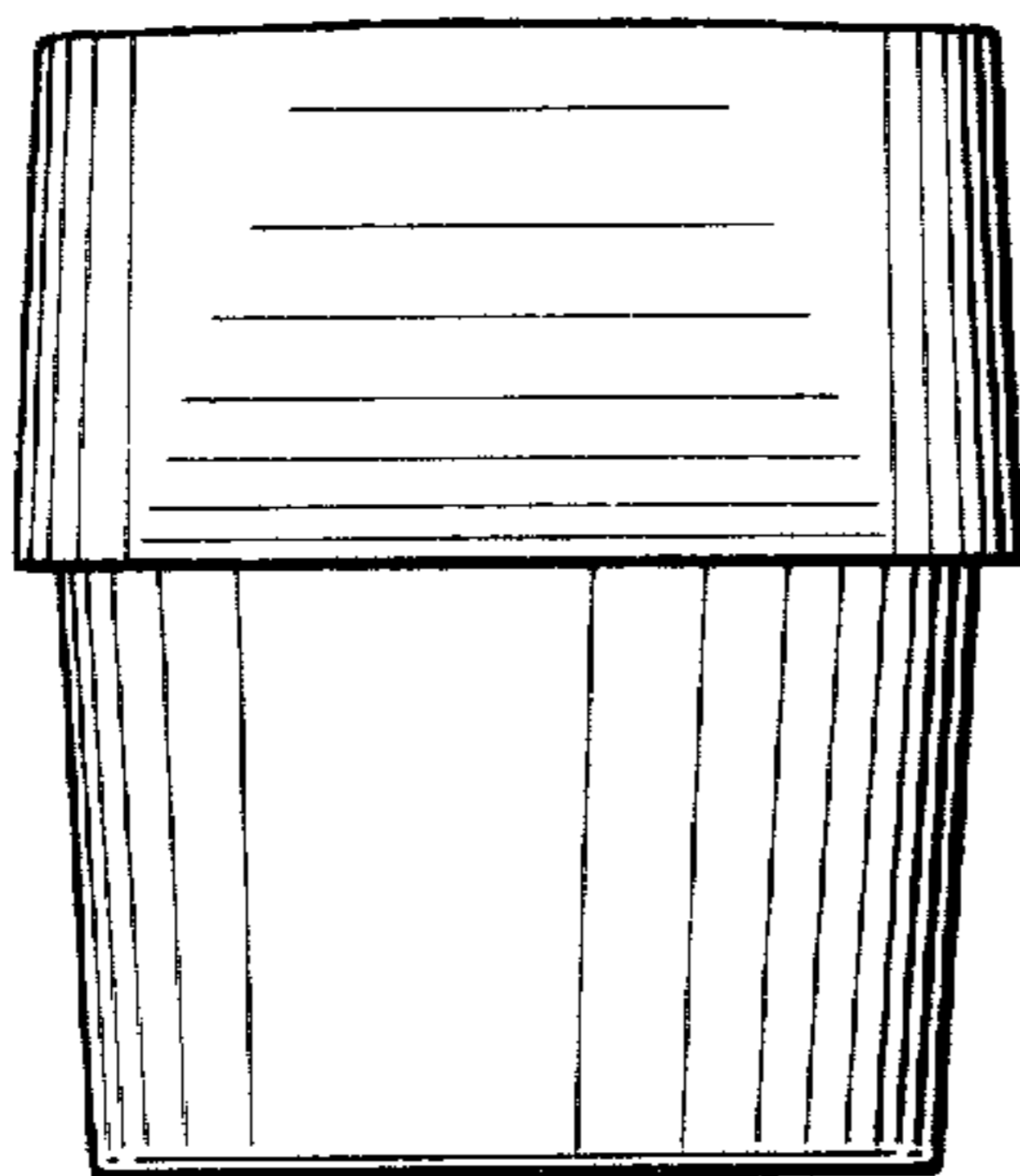


FIG. 5

