

[54] **GARMENT HOOK**

[76] Inventor: **Lothar L. Mayer**, 136 Fox Meadow Rd., Scarsdale, N.Y. 10583

[**] Term: **14 Years**

[21] Appl. No.: **214,670**

[22] Filed: **Dec. 9, 1980**

[51] Int. Cl. **D6—06; D8—08**

[52] U.S. Cl. **D6/122; D6/120; D8/367; D8/370; D8/372**

[58] Field of Search **D6/114, 120, 122; D8/367, 372, 363, 370; 248/301, 303, 304, 215; 211/87**

[56] **References Cited**

U.S. PATENT DOCUMENTS

D. 65,730	10/1924	Garreffa	D8/363
239,465	3/1881	Delany	248/304
D. 247,146	2/1978	Watt, Jr.	D6/120
465,259	12/1891	Glover	248/304
2,936,148	5/1960	Gralewicz	248/303
4,082,243	4/1978	Watt et al.	248/304

FOREIGN PATENT DOCUMENTS

8233 of 1894 United Kingdom 248/304

OTHER PUBLICATIONS

"Pocono" Hook/Hook and Bumper; p. 10; pub. prior 6/1/79.

"Decorative Work in Wrought Iron and Other Metals"; pub. prior 4/18/79; p. 124.

Primary Examiner—B. J. Bullock

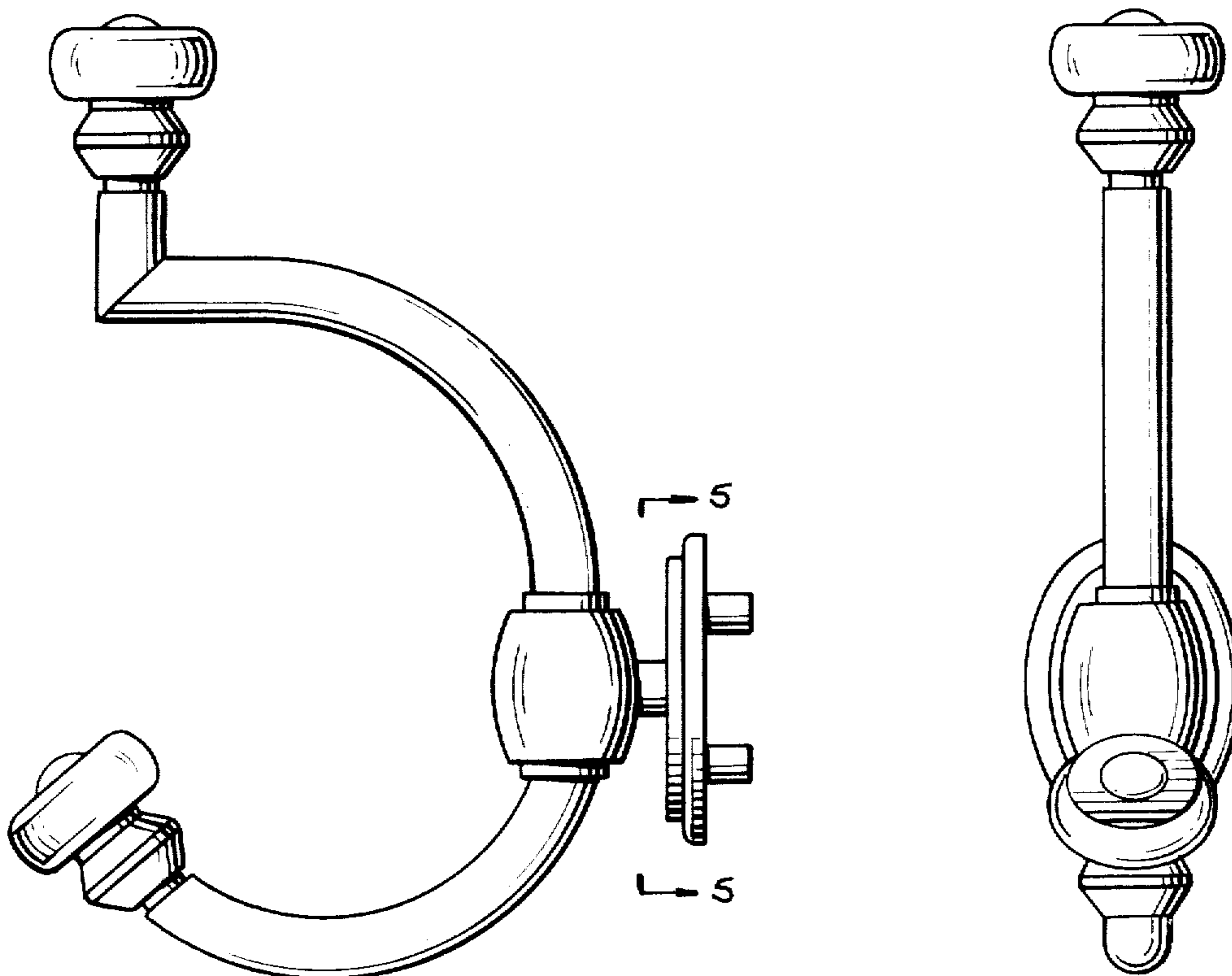
Attorney, Agent, or Firm—Henry Sternberg

[57] **CLAIM**

The ornamental design for a garment hook, substantially as shown and described.

DESCRIPTION

FIG. 1 is a side elevational view of a garment hook embodying my new design;
 FIG. 2 is a front elevational view of FIG. 1;
 FIG. 3 is a top plan view of FIG. 1;
 FIG. 4 is a rear elevational view of FIG. 1;
 FIG. 5 is a sectional view taken in the direction of the arrows on line 5—5 of FIG. 1;
 FIG. 6 is a front elevational view of a second embodiment of the hook of FIG. 1;
 FIG. 7 is a top plan view of FIG. 6;
 FIG. 8 is a rear elevational view of FIG. 6 and;
 FIG. 9 is a sectional view taken in the direction of the arrows on line 9—9 of FIG. 7.
 The straight and curved stem-like portions of the hooks are of substantially circular cross section.



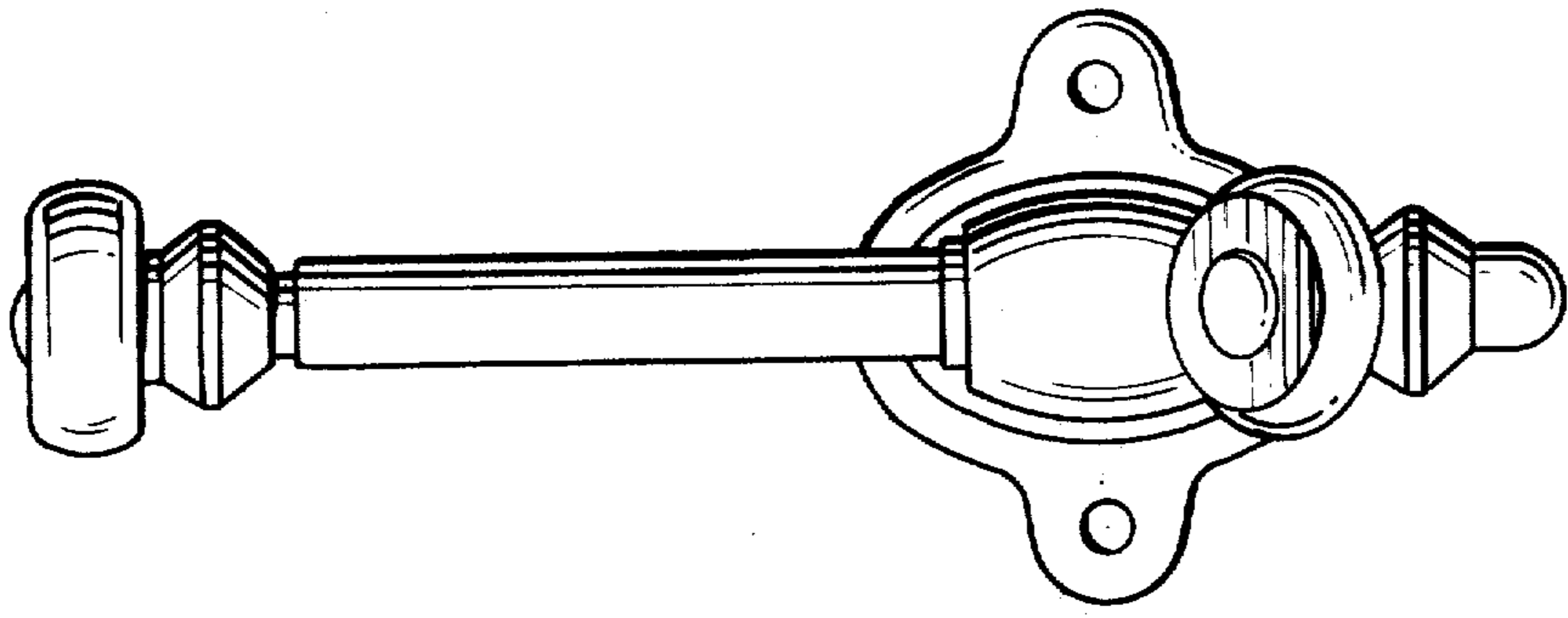


Fig. 6.

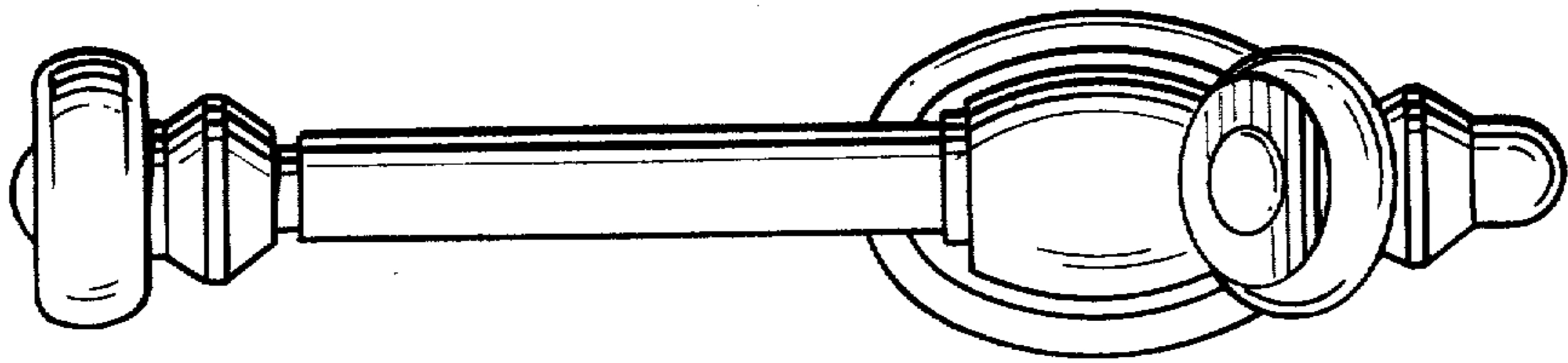


Fig. 2.

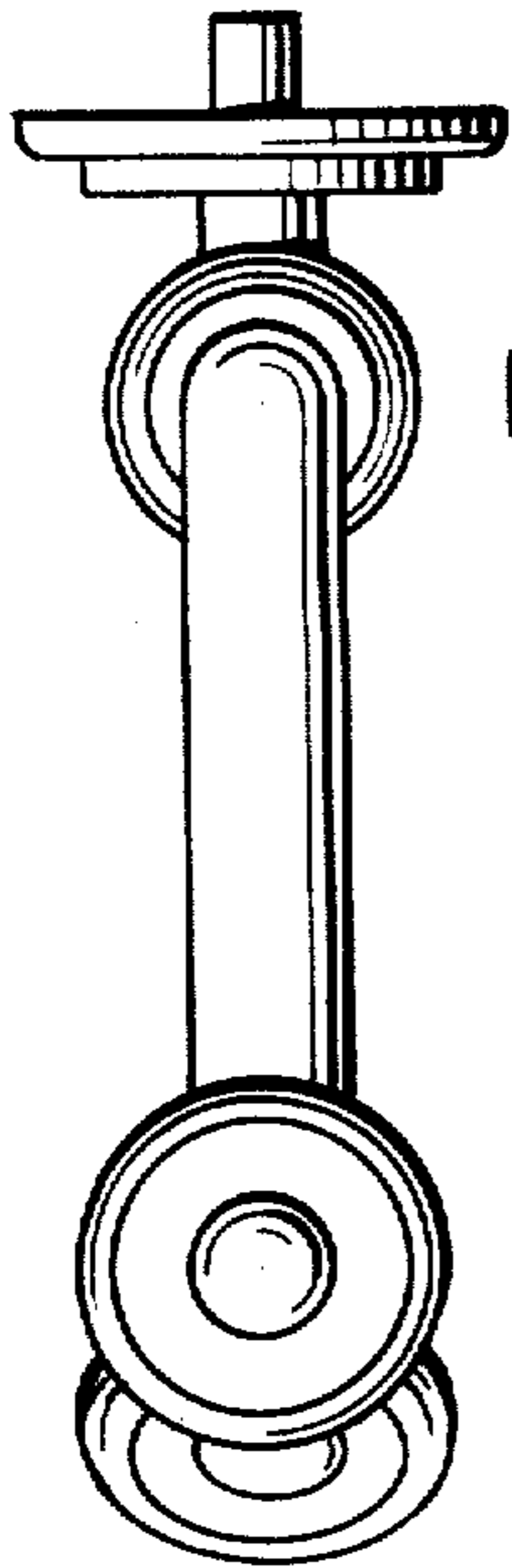


Fig. 9.

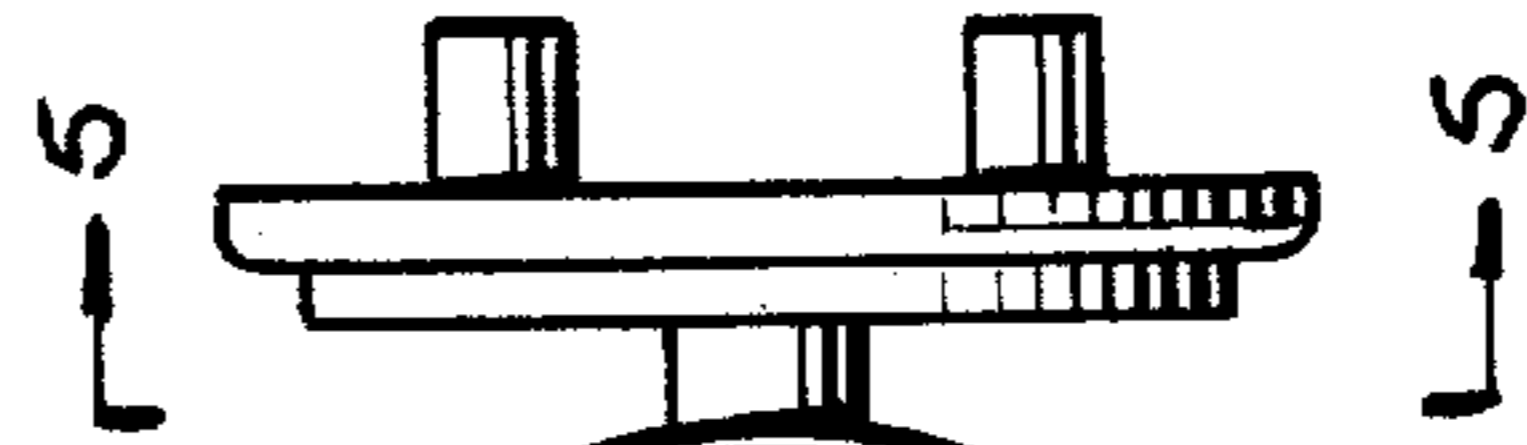


Fig. 1.

Fig. 4.

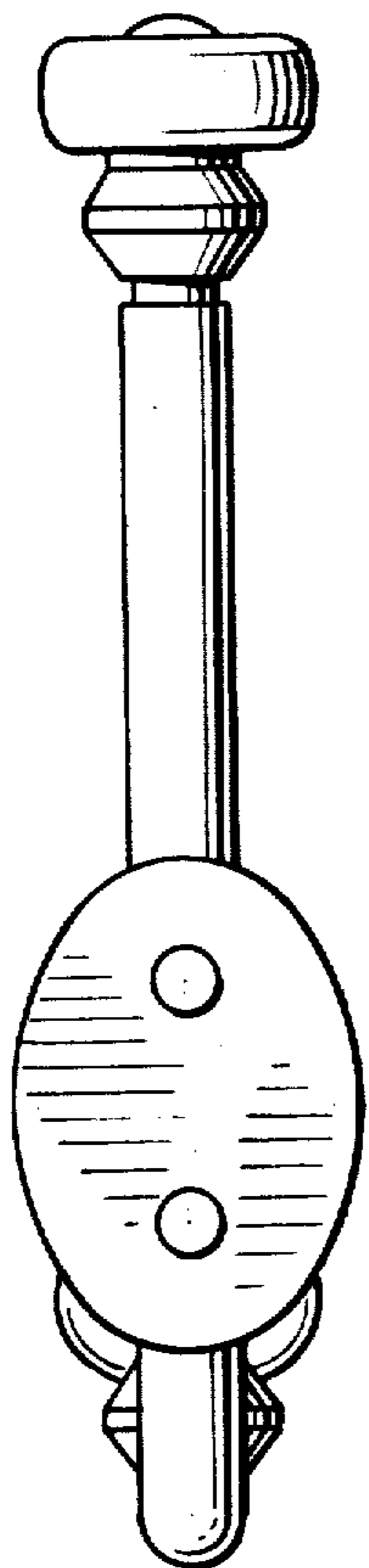


Fig. 5.

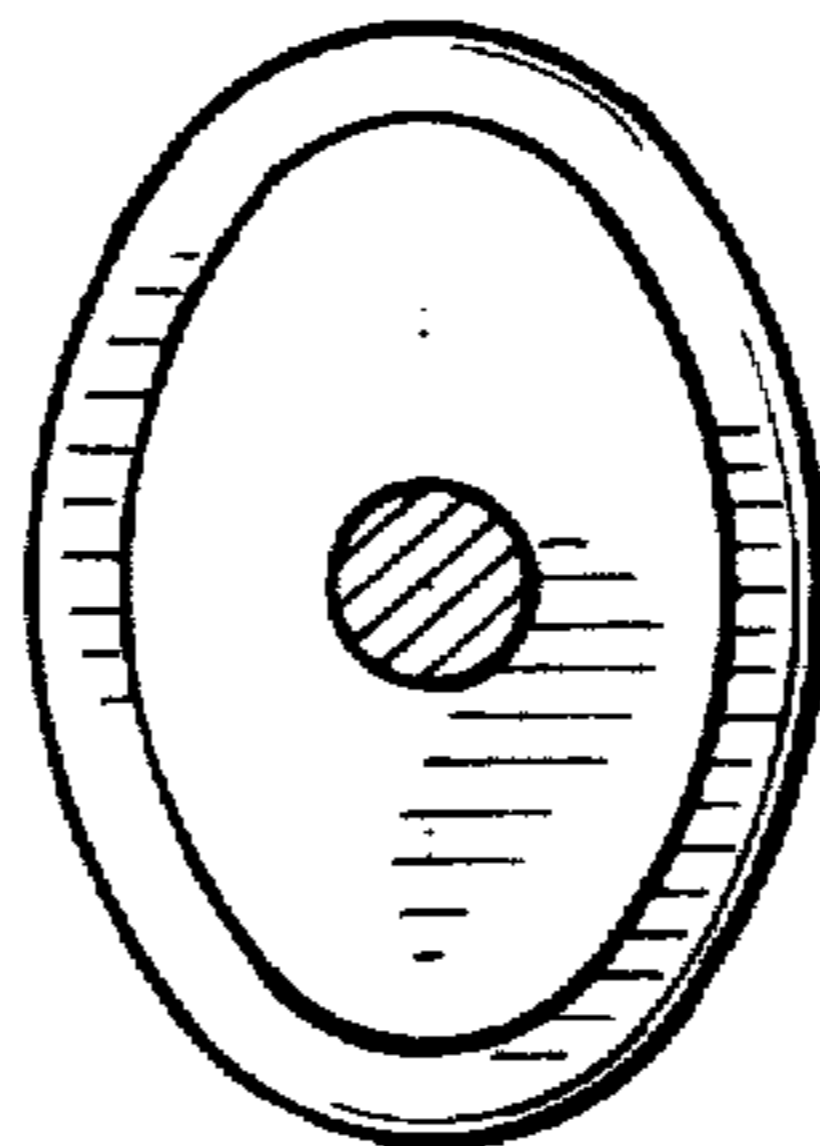


Fig. 6.

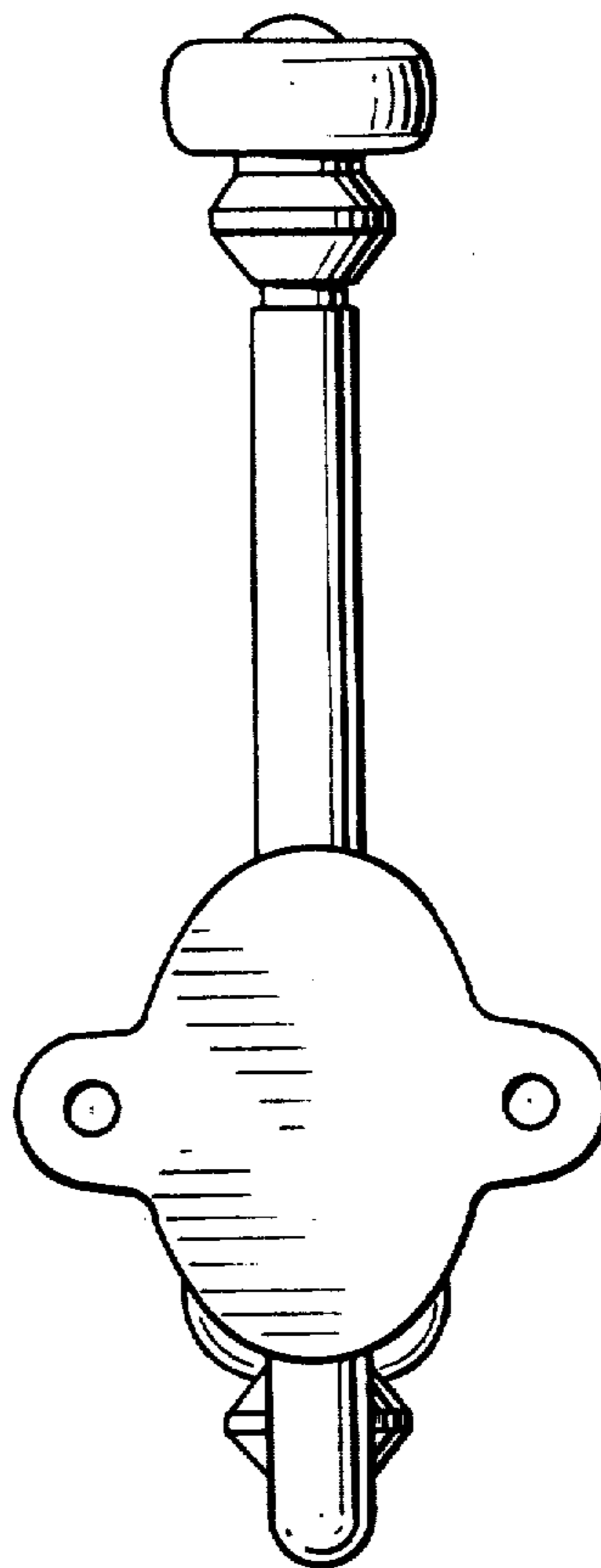


Fig. 8.

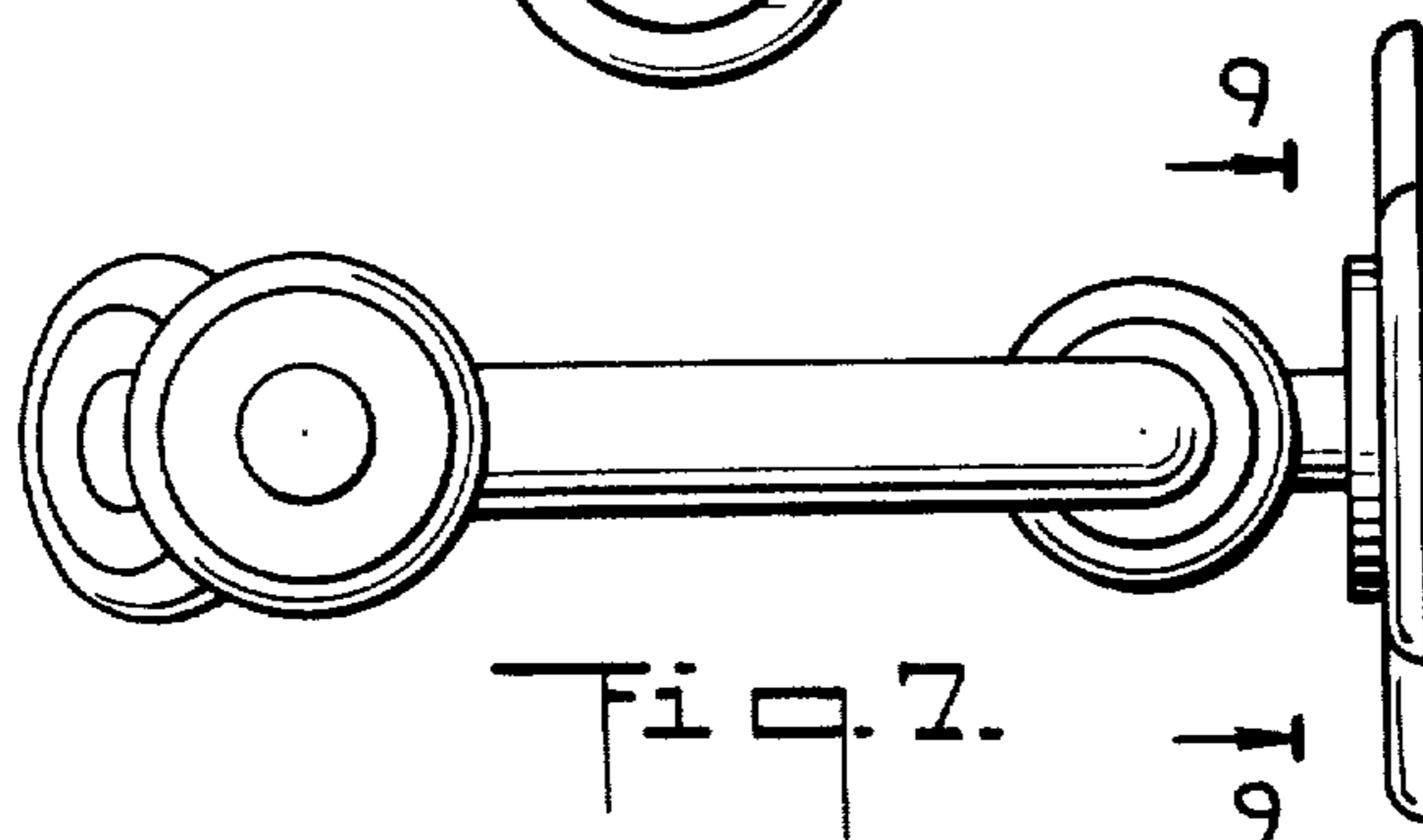
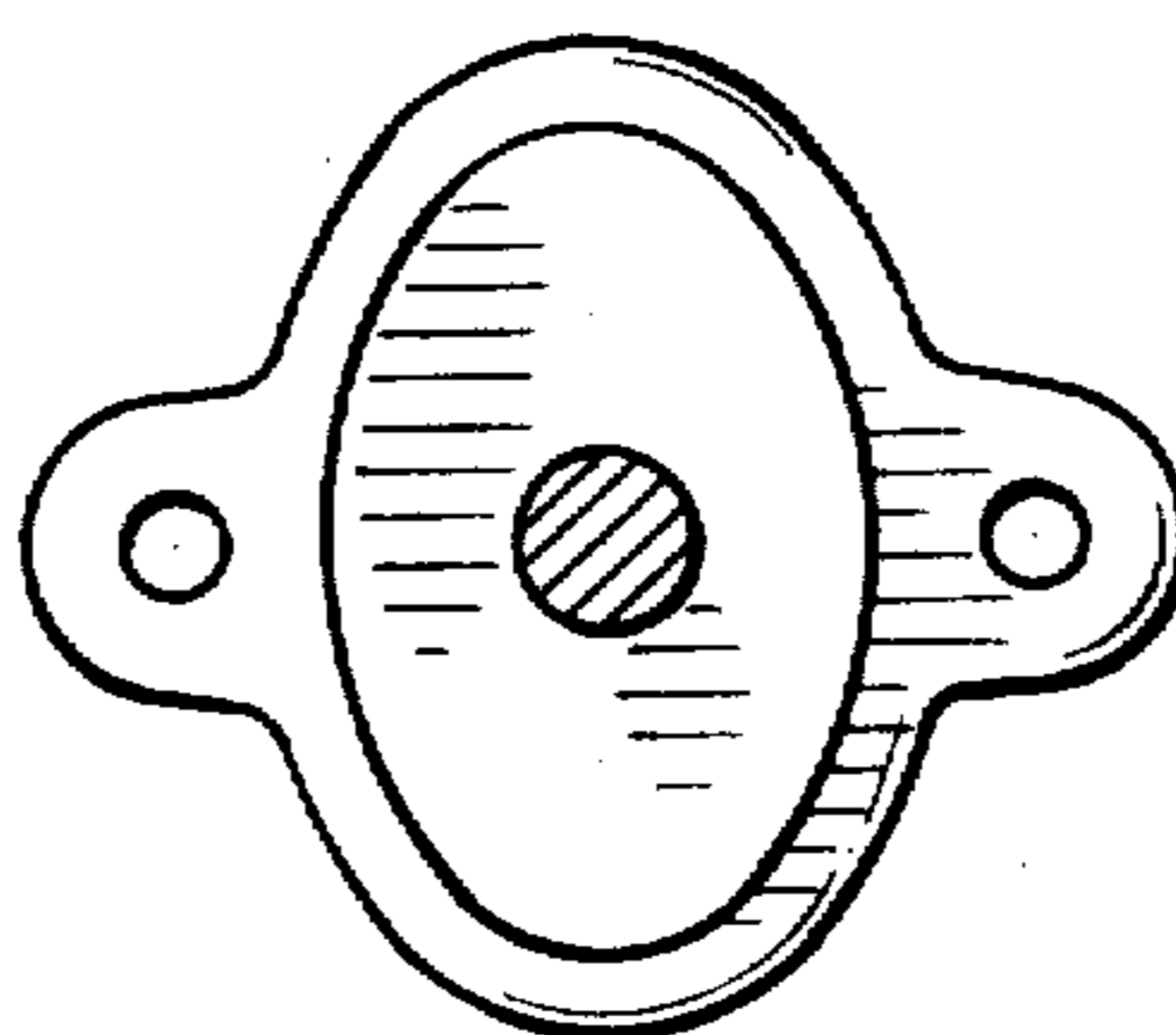


Fig. 7.