

[54] FULLY AUTOMATED SELF-SERVICE BANKING TERMINAL

[75] Inventor: Howard S. Noel, Los Gatos, Calif.

[73] Assignee: International Business Machines Corporation, Armonk, N.Y.

[**] Term: 14 Years

[21] Appl. No.: 20,127

[22] Filed: Mar. 13, 1979

[51] Int. Cl. D99-00

[52] U.S. Cl. D99/28; D99/34; D99/35; D99/36; D99/37; D99/43; D14/105; 232/1 D; 232/1 R; 52/36

[58] Field of Search D99/28, 34, 35, 36, D99/37, 43; 232/1 R, 1 D; 52/36; D14/40

[56] References Cited

U.S. PATENT DOCUMENTS

D. 245,023 7/1977 Hermann D99/43

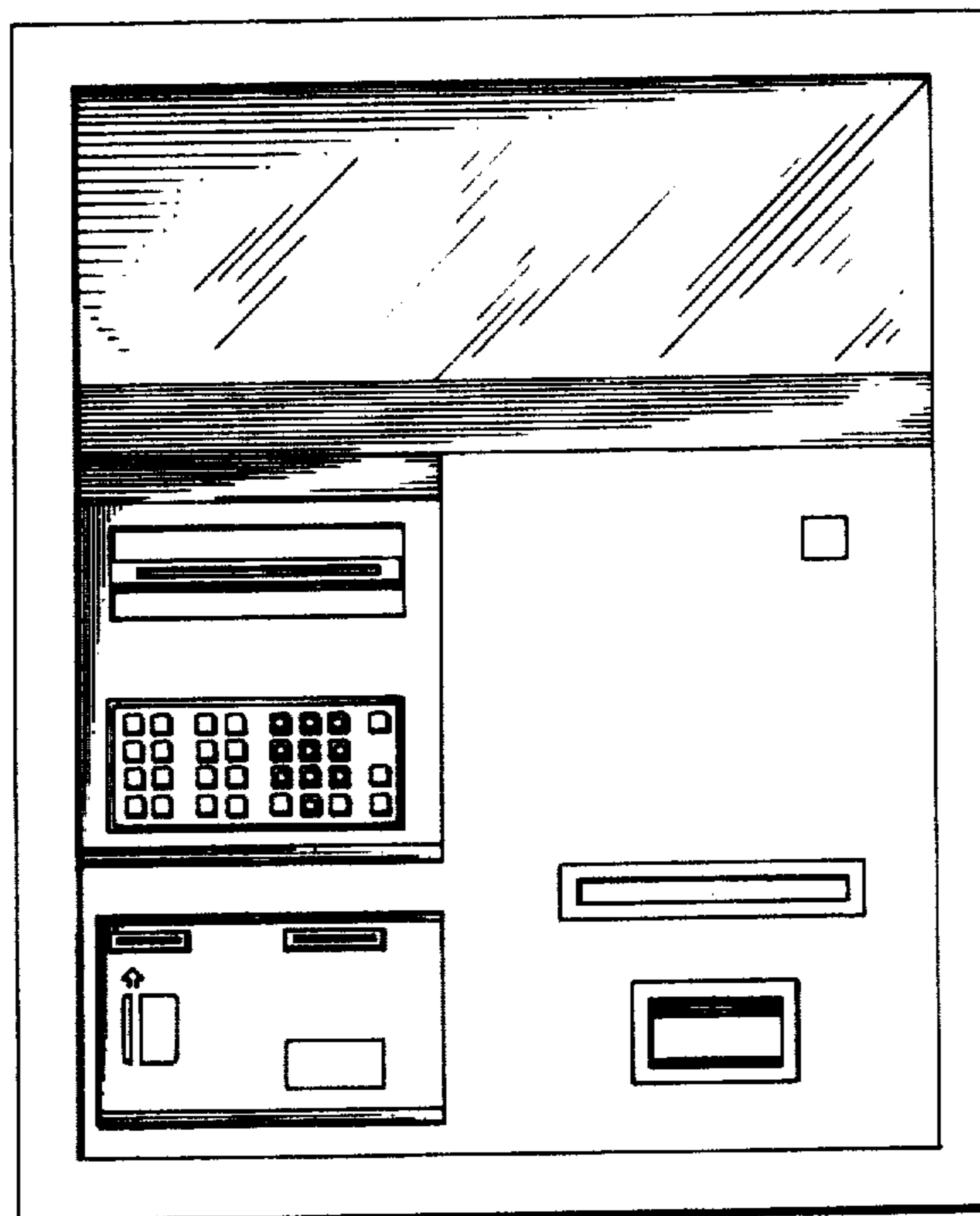
Primary Examiner—Veronica O’Keefe
Attorney, Agent, or Firm—Shelley M. Beckstrand

[57] CLAIM

The ornamental design for a fully automated self-service banking terminal, as shown and described.

DESCRIPTION

FIG. 1 is a front elevation view of the front panel of a fully automated self-service banking terminal showing my new design.
FIG. 2 is a perspective view thereof.



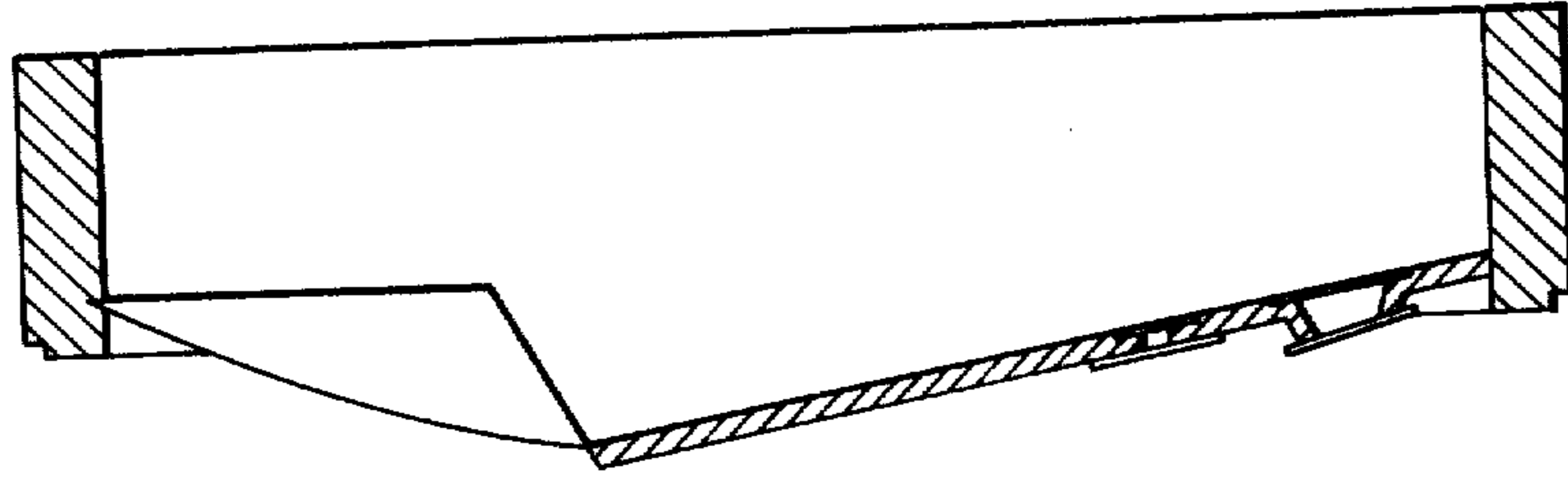


FIG. 3

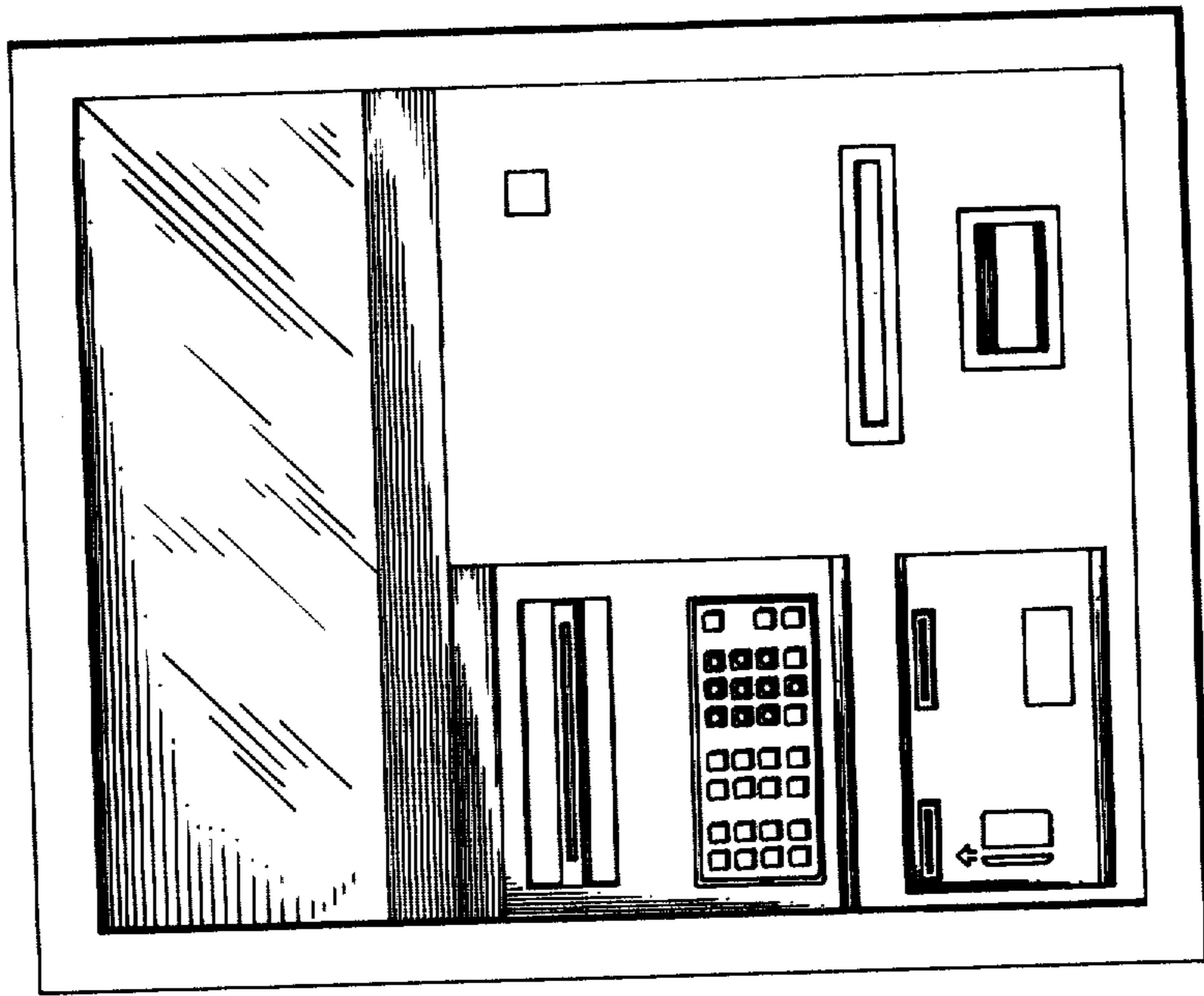


FIG. 1

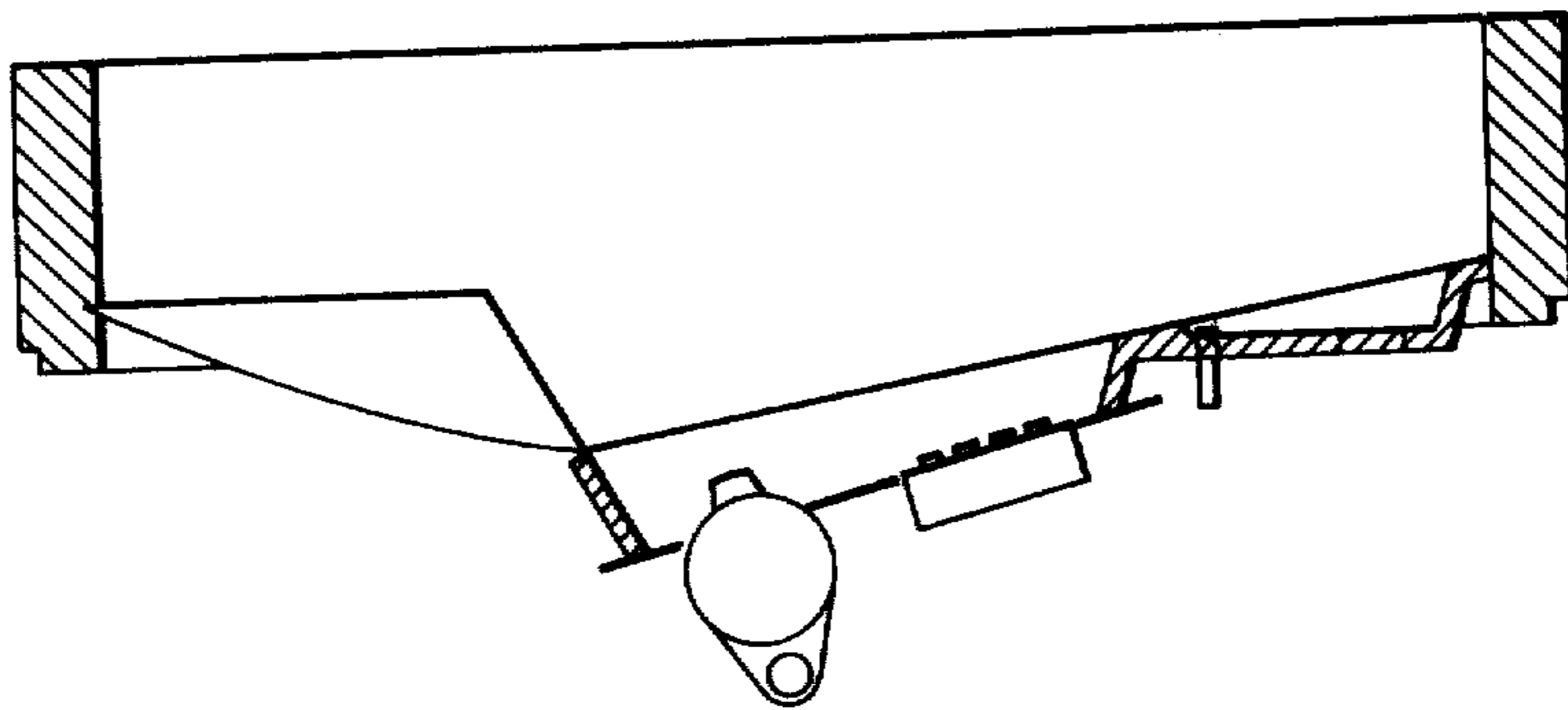


FIG. 2