

[54] PALLET

[76] Inventor: Charles K. Jonebrant, Solvarvsplan
10, S-436 00 Askim, Sweden

[**] Term: 14 Years

[21] Appl. No.: 923,466

[22] Filed: Jul. 10, 1978

[30] Foreign Application Priority Data

Jan. 16, 1978 [SE] Sweden 780114

[51] Int. Cl. D9-08

[52] U.S. Cl. D34/38

[58] Field of Search D12/53; 108/51.1, 52.1,
108/53.1, 53.3, 55.3; D34/38

[56]

References Cited

U.S. PATENT DOCUMENTS

D. 225,397	12/1972	Lindley et al.	D12/53
3,719,157	3/1973	Arcocha et al.	108/51.1
3,720,176	3/1973	Munroe	D12/53
3,762,342	10/1973	Lawlor	108/53.3

Primary Examiner—James M. Gandy

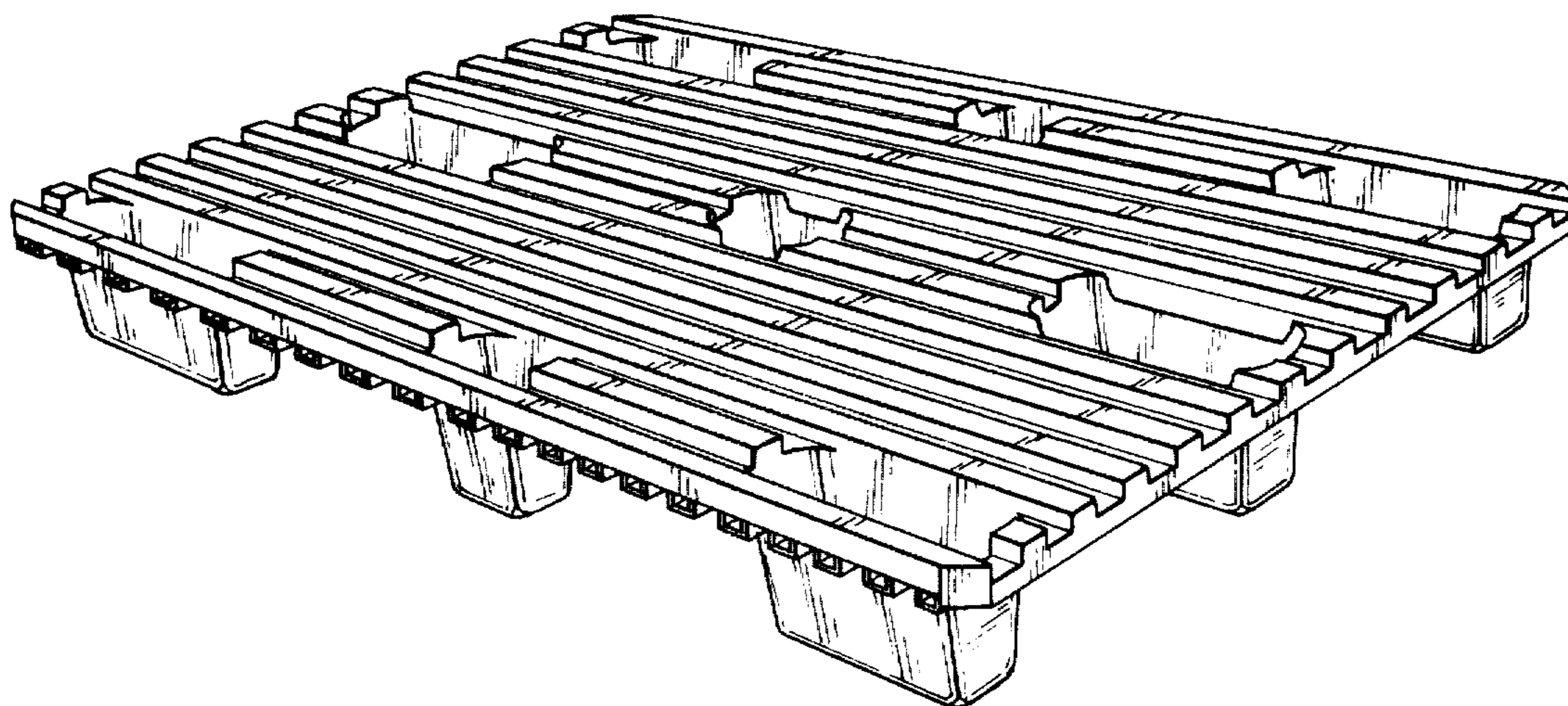
[57]

CLAIM

The ornamental design for a pallet, substantially as shown and described.

DESCRIPTION

FIG. 1 is a top perspective view of a pallet showing my new design;
FIG. 2 is a bottom perspective view thereof;
FIG. 3 is a side-elevation view thereof;
FIG. 4 is a bottom plan view thereof.



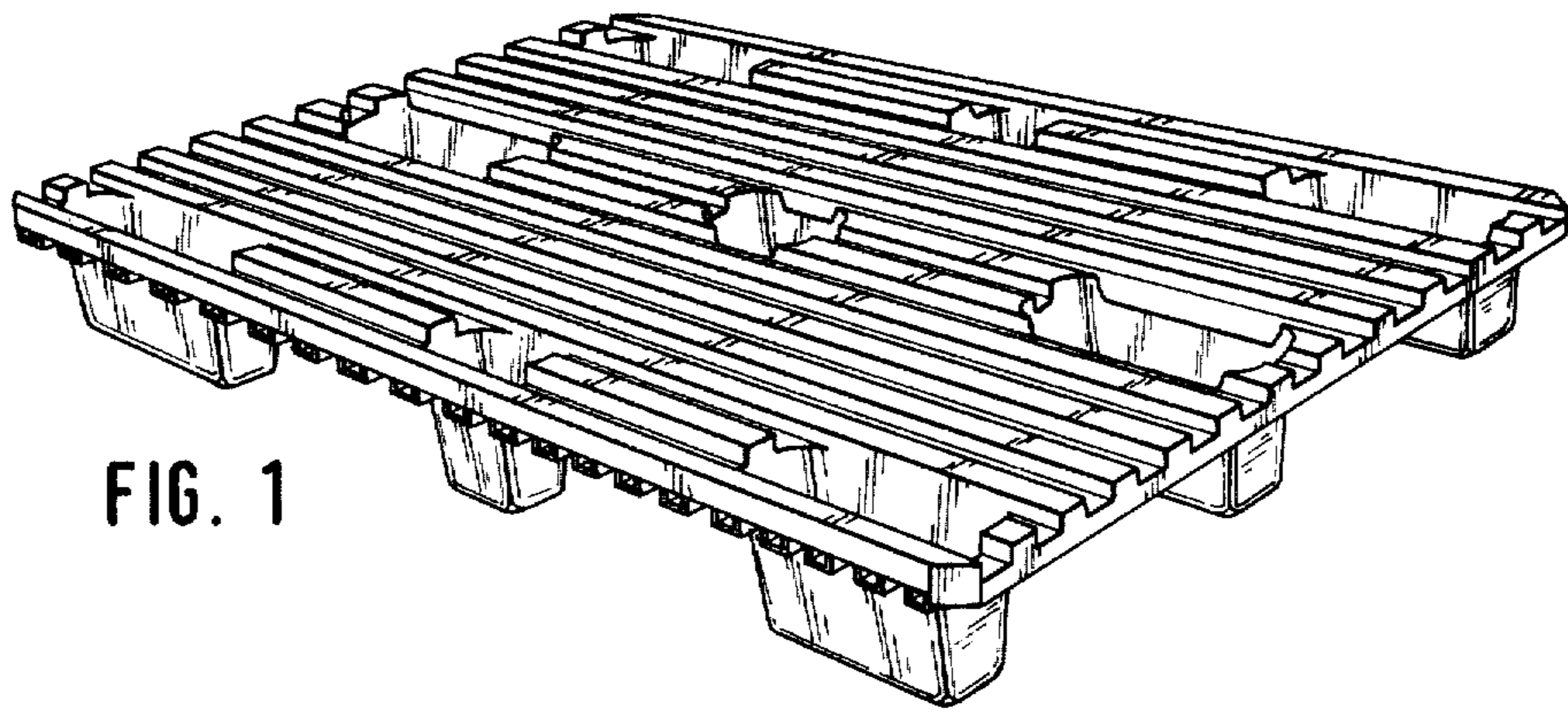


FIG. 1

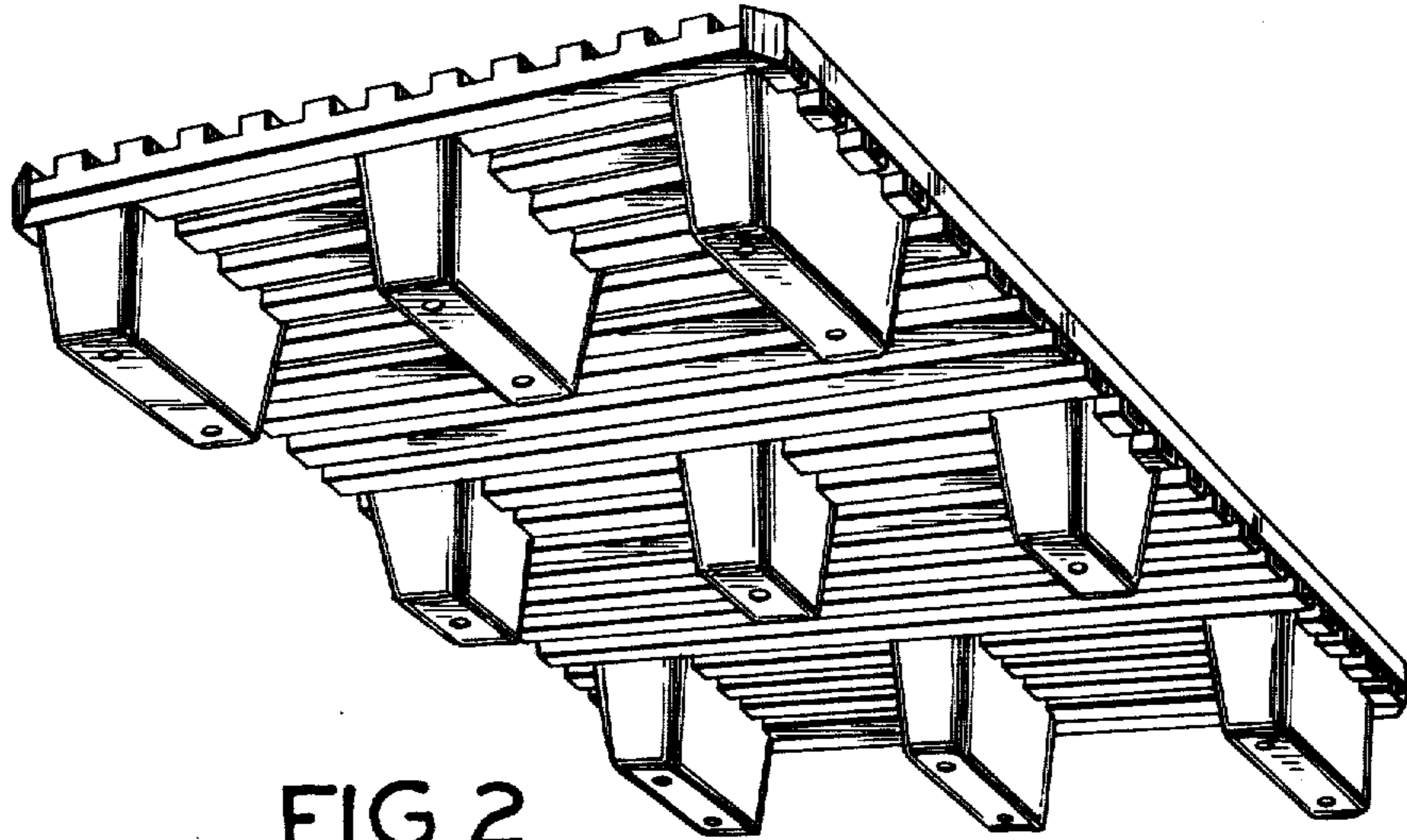


FIG. 2

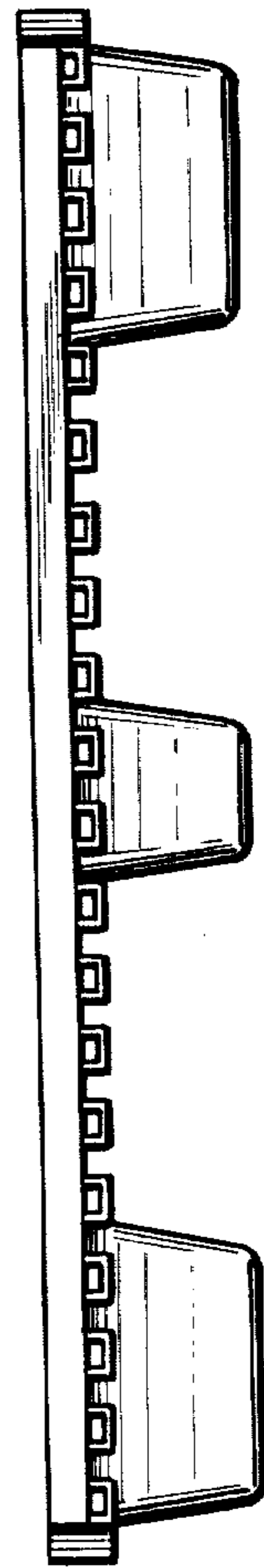


FIG. 3

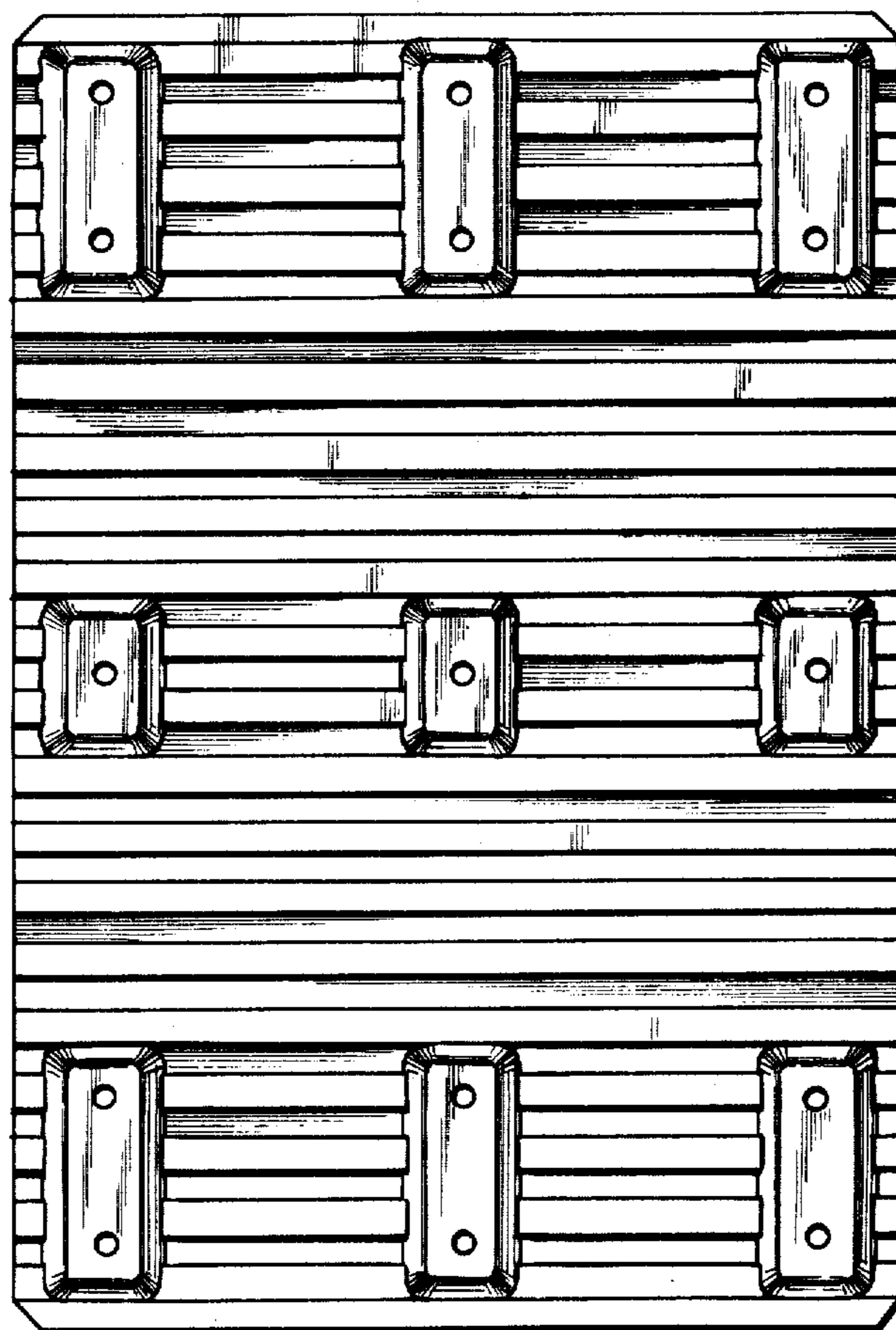


FIG.4