

[54] DRAIN BOARD

1,185,677 6/1916 Jargstorf 211/41

[76] Inventor: Harold E. Luoma, 125A Rose Lake Rd., Cataldo, Id. 83810

Primary Examiner—Catherine E. Kemper
Attorney, Agent, or Firm—Wells, St. John & Roberts

[**] Term: 14 Years

[57] CLAIM

[21] Appl. No.: 146,629

The ornamental design for a drain board, as shown and described.

[22] Filed: May 5, 1980

DESCRIPTION

[51] Int. Cl. D7-05

FIG. 1 is a perspective view of a drain board showing my new design;

[52] U.S. Cl. D32/56

FIG. 2 is an enlarged top plan view thereof;

[58] Field of Search D32/55-57;

FIG. 3 is a bottom plan view thereof;

211/41, 74; 4/637

FIG. 4 is a rear end view thereof;

FIG. 5 is a front end view thereof;

[56] References Cited

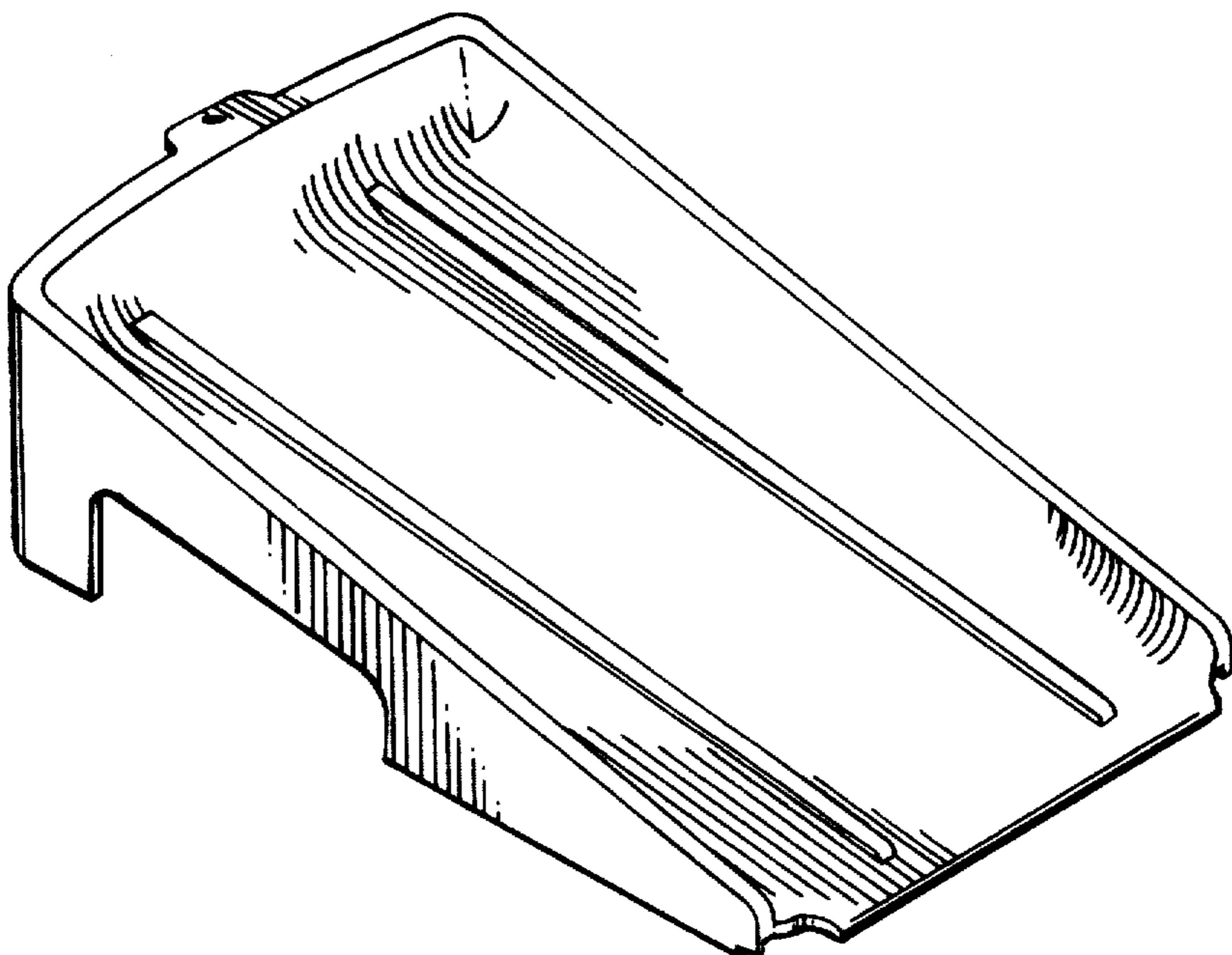
U.S. PATENT DOCUMENTS

- D. 174,298 3/1955 Timmons D32/56
- D. 205,833 9/1966 Gardner D32/56
- 917,278 4/1909 Fike 4/637 X

FIG. 6 is a side elevational view thereof;

FIG. 7 is a sectional view thereof taken along line 7-7 in FIG. 5; and

FIG. 8 is a sectional view taken along line 8-8 in FIG. 6.



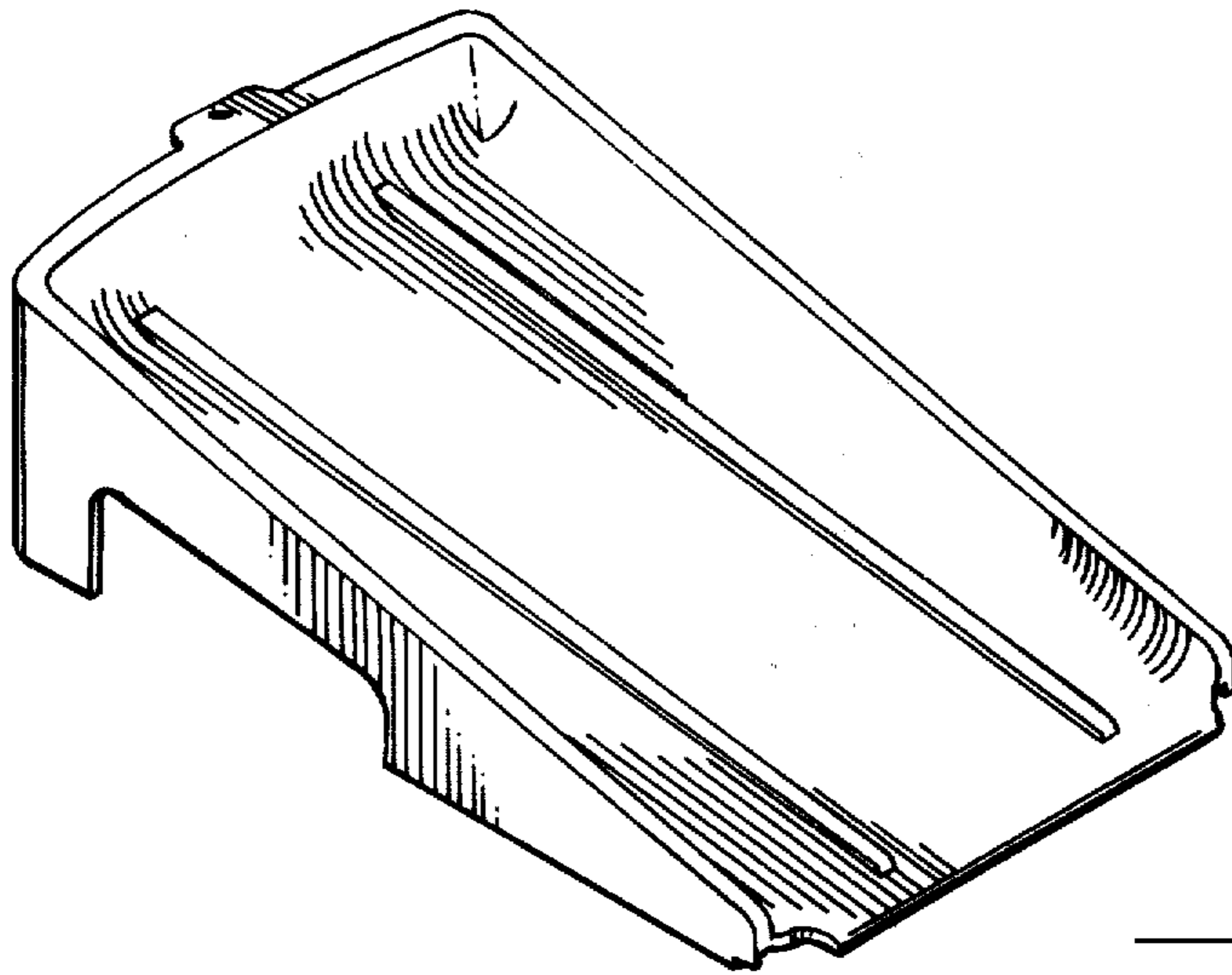


FIG 1

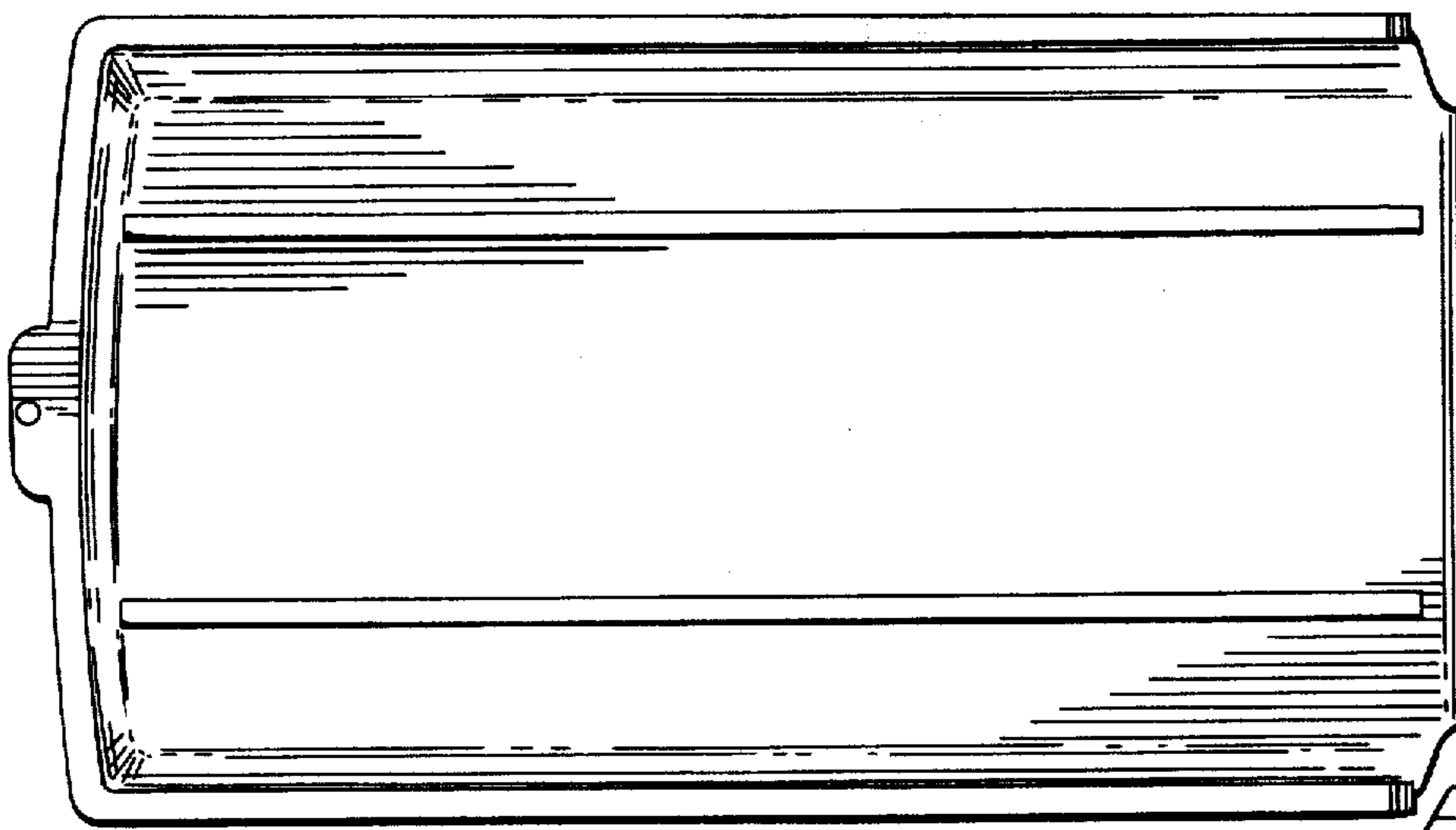
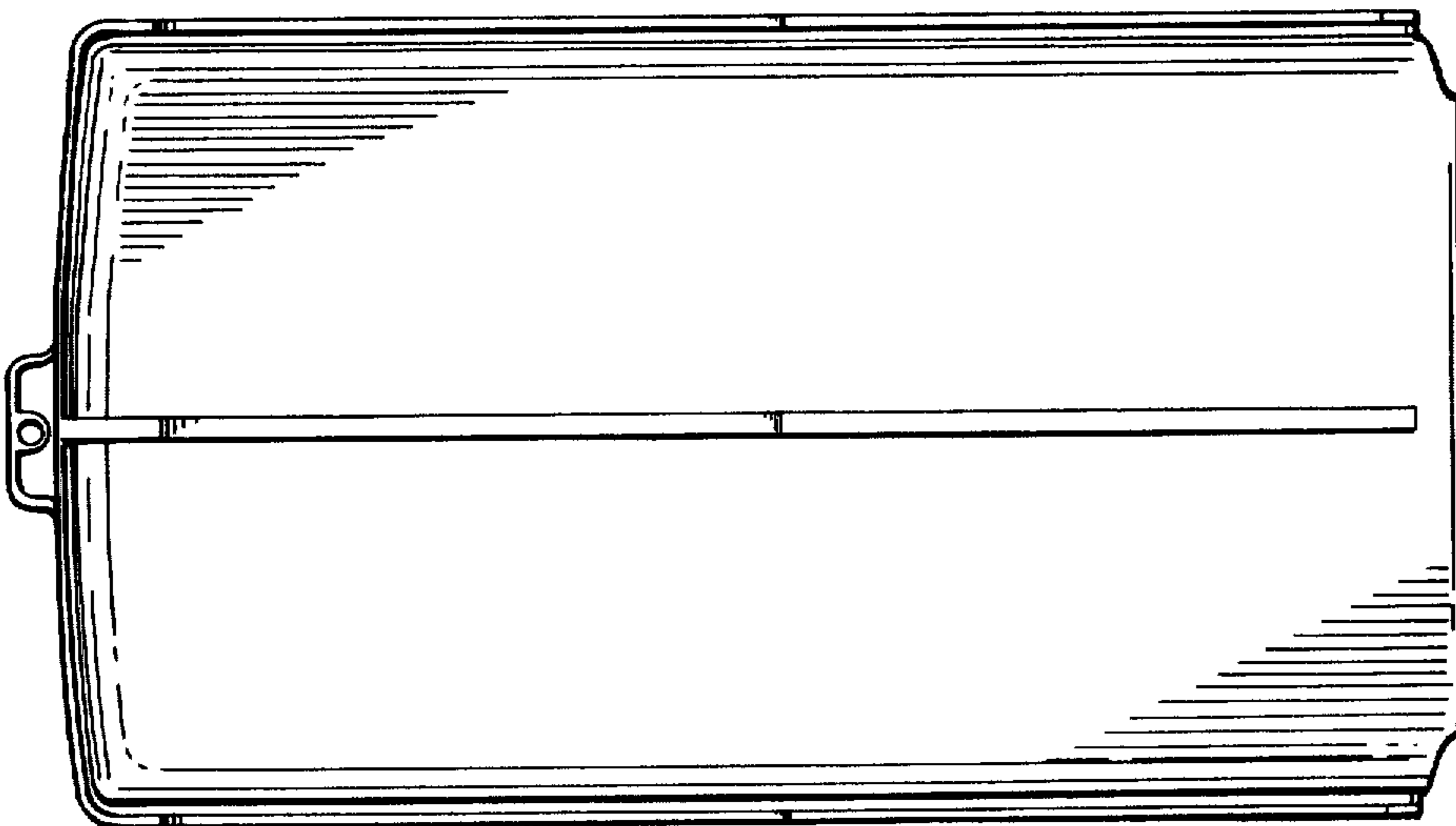


FIG 2

FIG 3



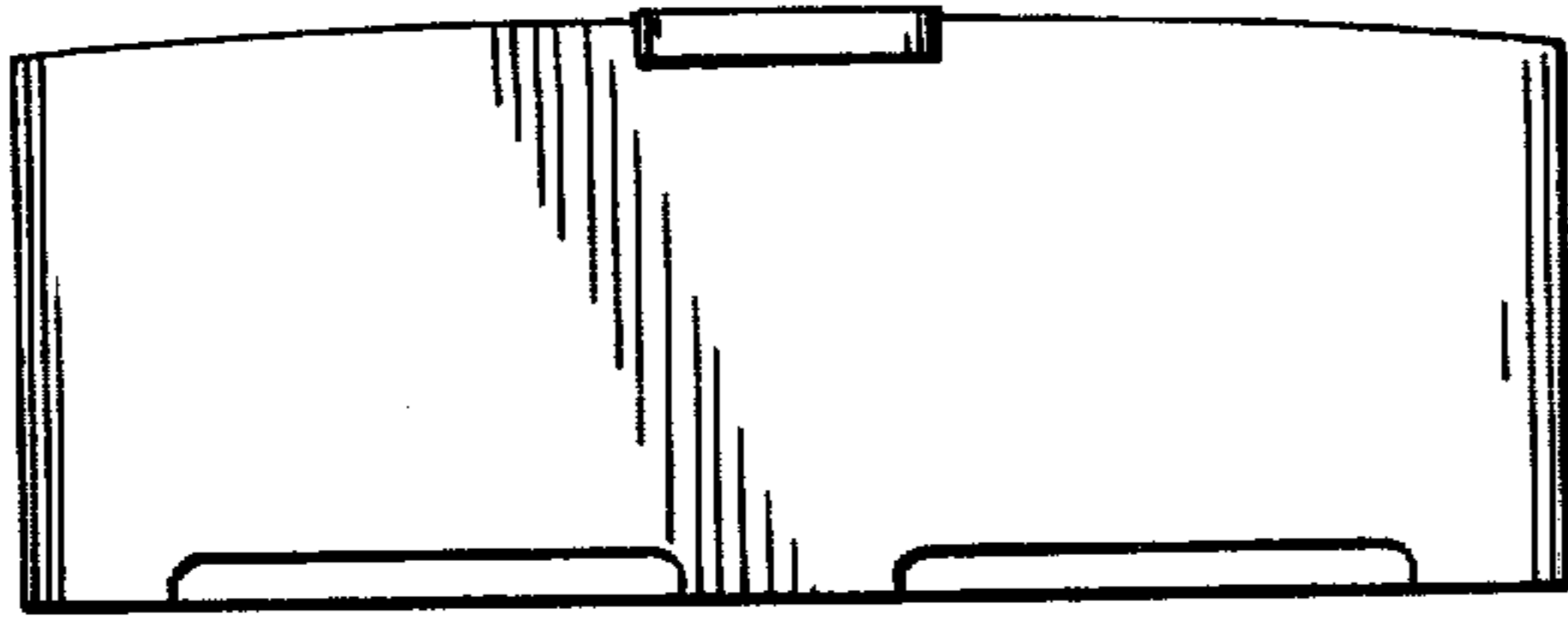


FIG 4

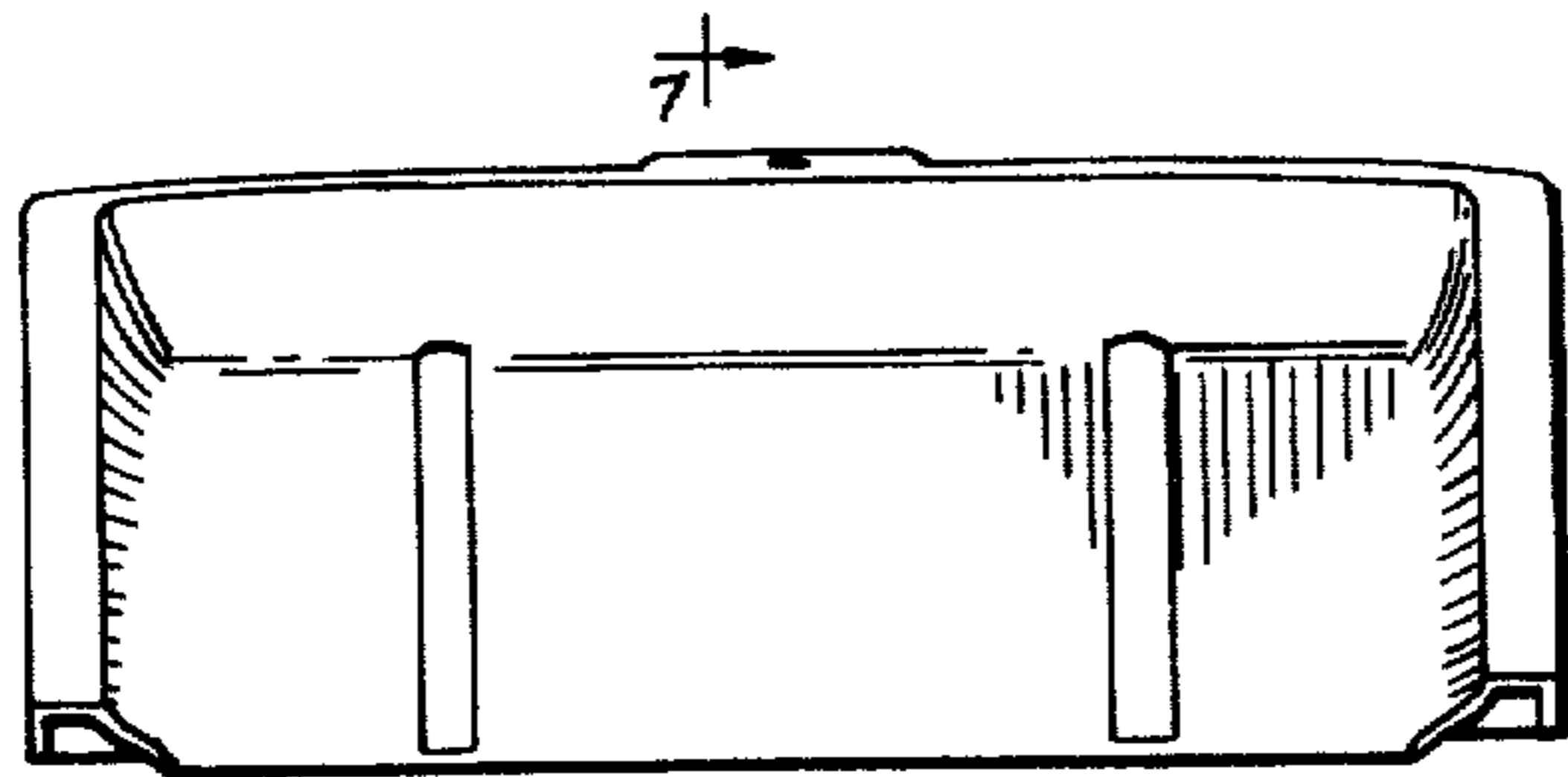


FIG 5

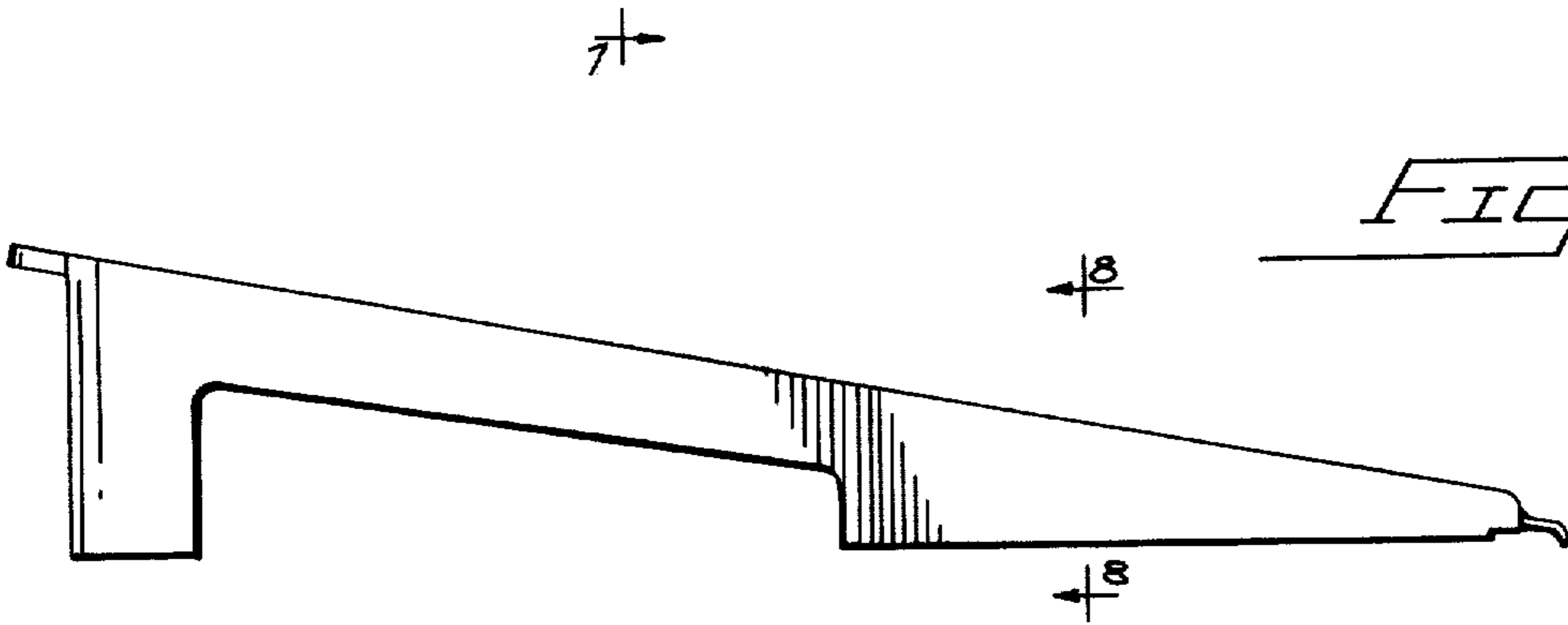


FIG 6

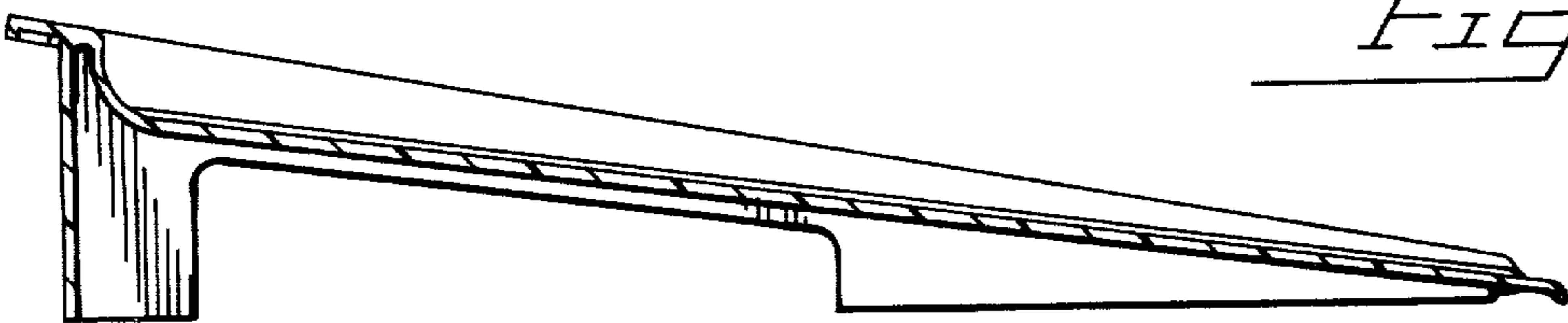


FIG 7

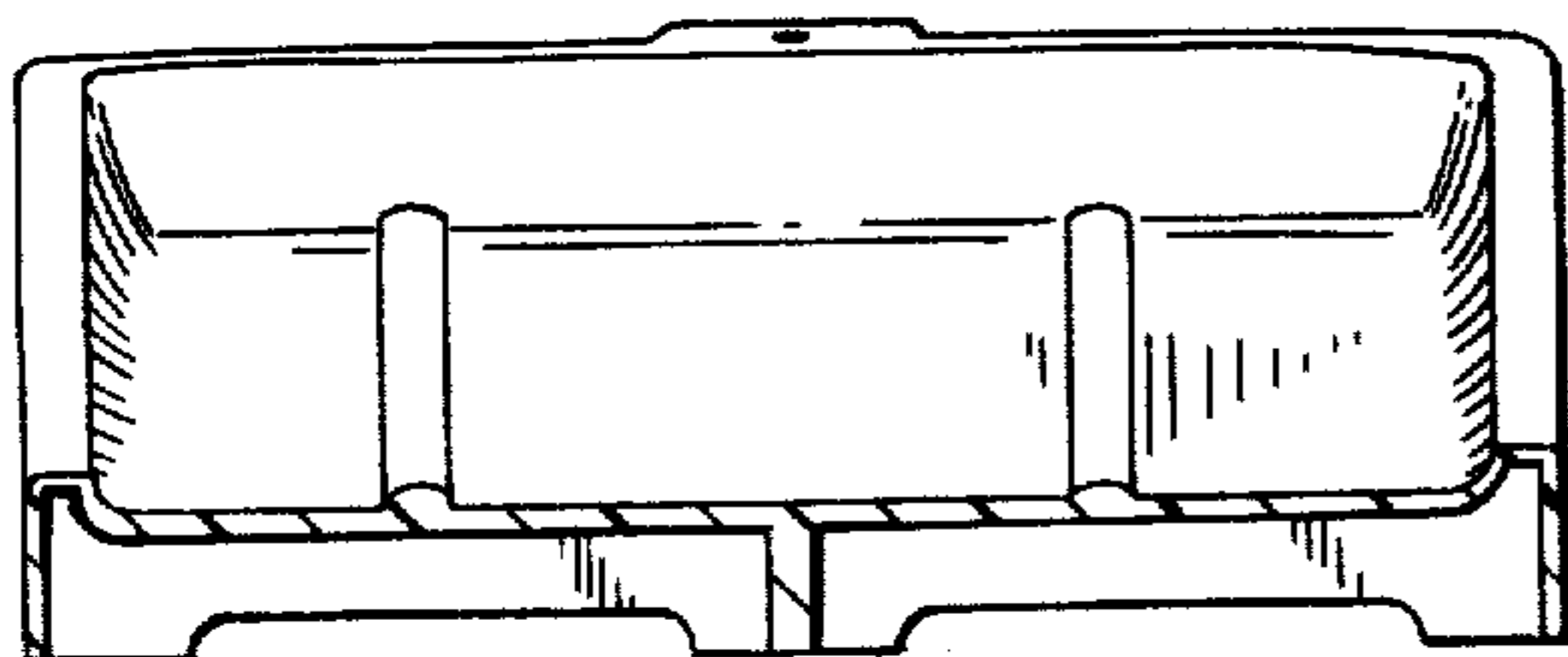


FIG 8