

[54] PAINT ROLLER CLEANER

[76] Inventor: Walter T. Fuller, 5540 S. Franklin St., Littleton, Colo. 80121

[\*\*] Term: 14 Years

[21] Appl. No.: 162,495

[22] Filed: Jun. 23, 1980

[51] Int. Cl. .... D7-05

[52] U.S. Cl. .... D32/35

[58] Field of Search ..... D32/35; 68/213; 134/138, 139, 149

[56] References Cited

U.S. PATENT DOCUMENTS

2,831,488	4/1958	Anderson	68/213 X
2,985,178	5/1961	Christensen, Jr.	134/149
3,075,534	1/1963	Habostad	68/213 X
3,139,891	7/1964	Faustman	134/138
4,061,153	12/1977	Doherty	134/138
4,130,124	12/1978	Sherwin	134/138

Primary Examiner—Catherine E. Kemper  
Attorney, Agent, or Firm—Kyle W. Rost

[57] CLAIM

The ornamental design for a paint roller cleaner, substantially as shown and described.

DESCRIPTION

FIG. 1 is a front elevational view of a paint roller cleaner, showing my new design.

FIG. 2 is a left side elevational view thereof, with the tubing broken away for clarity.

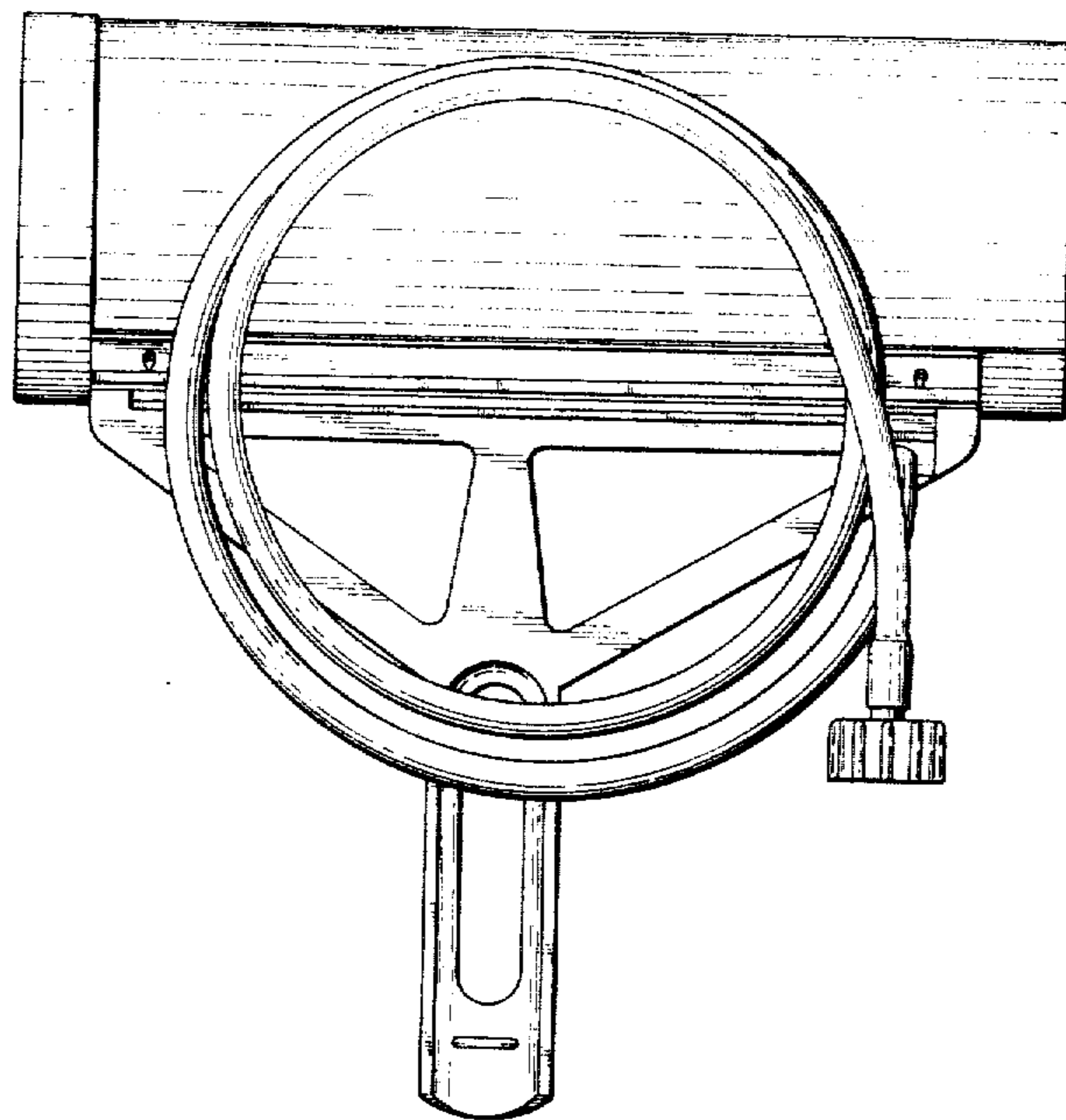
FIG. 3 is a right side elevational view thereof with the tubing broken away for clarity.

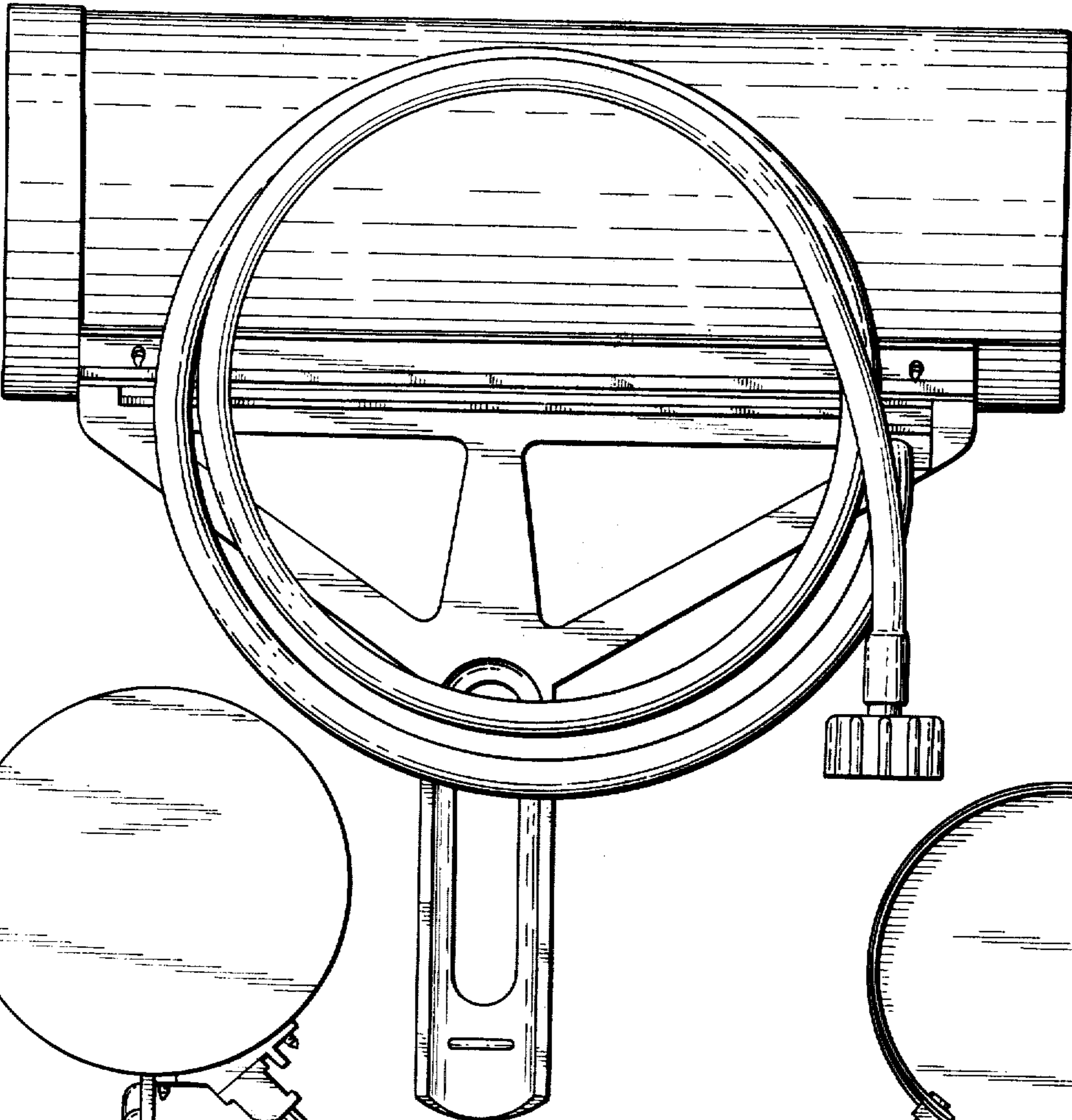
FIG. 4 is a rear elevational view thereof, with the tubing broken away for clarity.

FIG. 5 is a fragmentary cross-sectional view taken along the plane of line 5-5 of FIG. 4.

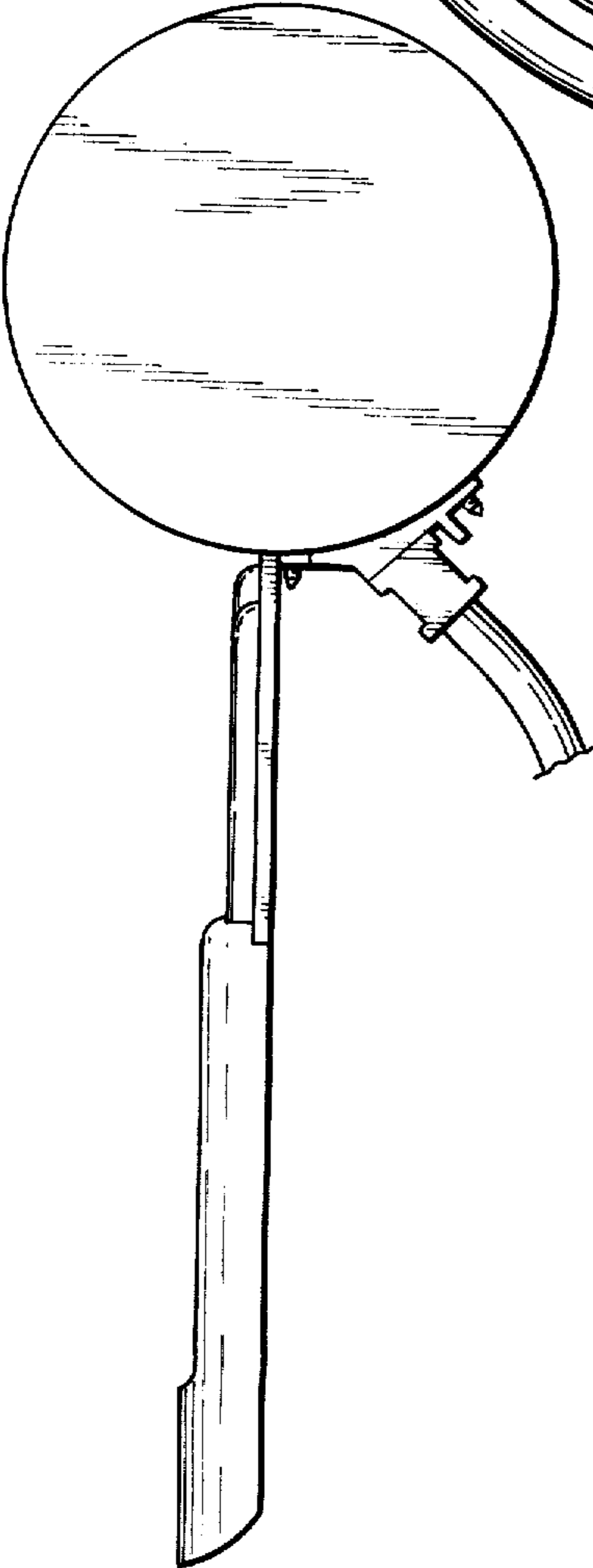
FIG. 6 is a top view thereof, with the tubing broken away for clarity.

FIG. 7 is a bottom view thereof, with the tubing broken away for clarity.

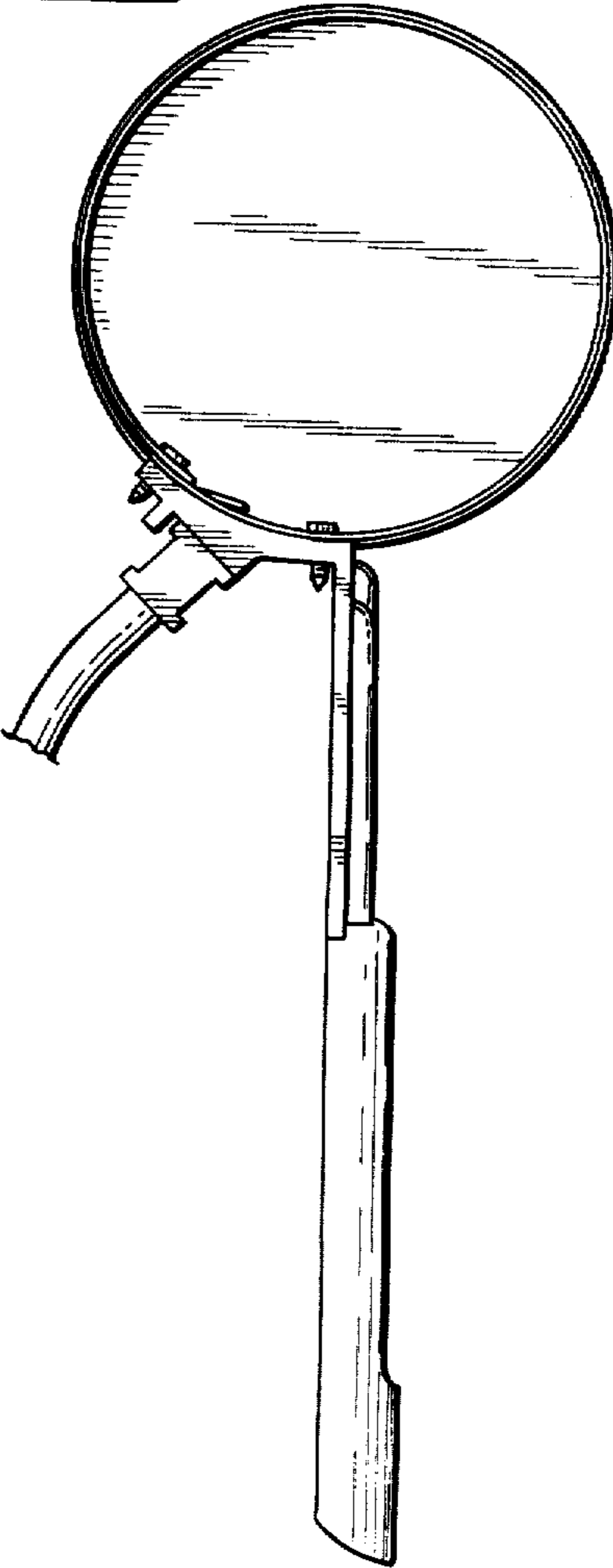




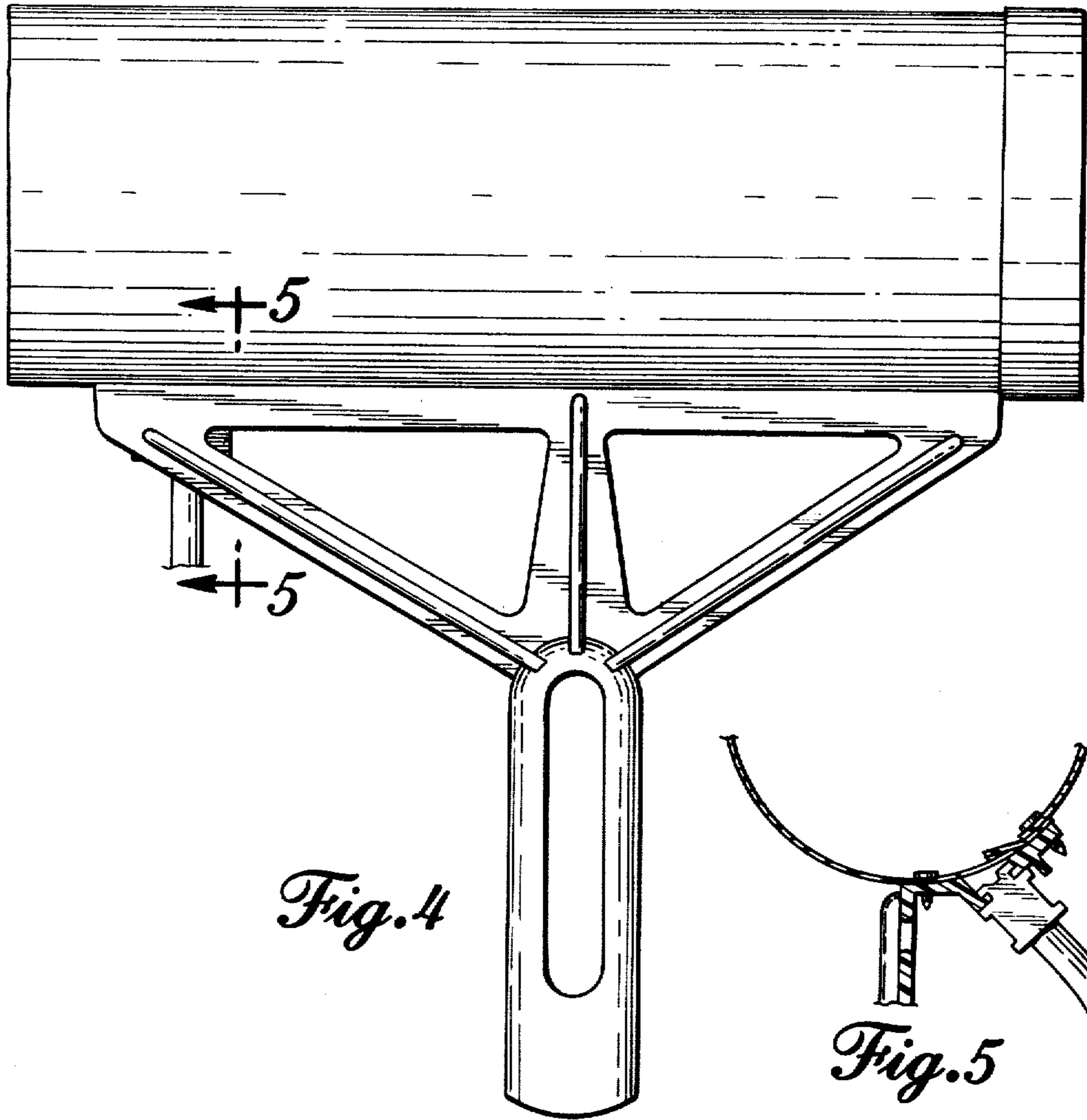
*Fig. 1*



*Fig. 2*

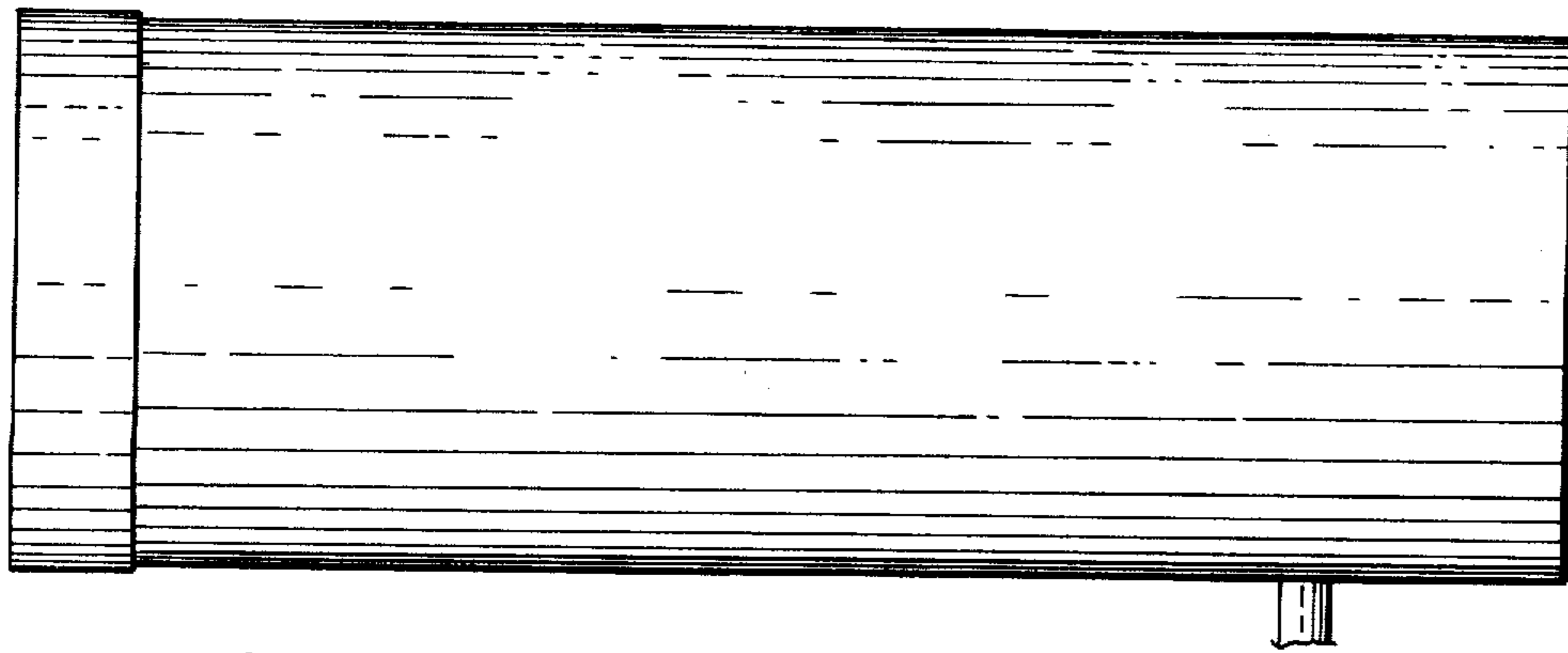


*Fig. 3*

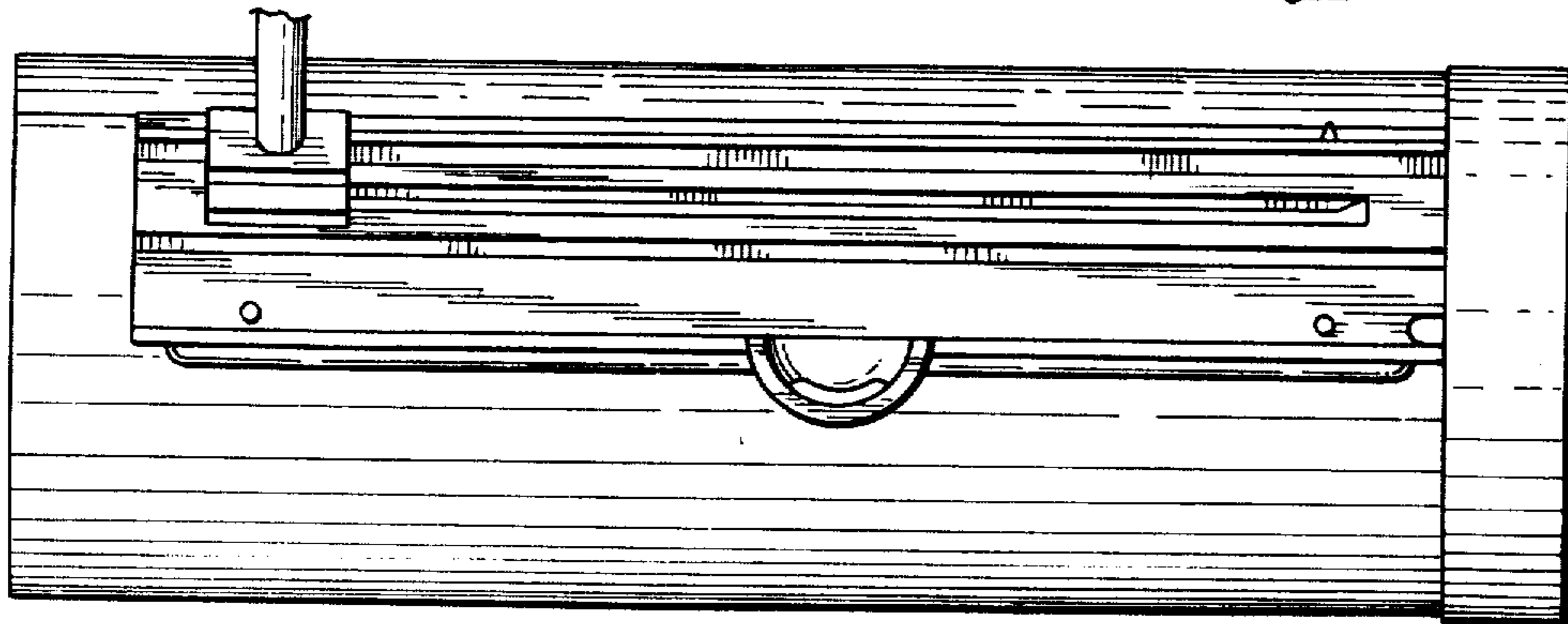


*Fig. 4*

*Fig. 5*



*Fig. 6*



*Fig. 7*