

[54] CIGARETTE

[76] Inventor: Wan K. Min, Shibus Apt. No. 13-122, 1-45 Yoido-Dong, Yongdongpo-ku, Seoul, Rep. of Korea

[**] Term: 14 Years

[21] Appl. No.: 125,867

[22] Filed: Feb. 29, 1980

[30] Foreign Application Priority Data

Sep. 14, 1979 [KR] Rep. of Korea 79-5840
Sep. 14, 1979 [KR] Rep. of Korea 79-5841

[51] Int. Cl. D27-01

[52] U.S. Cl. D27/01

[58] Field of Search D27/1; 131/360, 361, 131/229

[56] References Cited

U.S. PATENT DOCUMENTS

779,687 1/1905 Butler 131/361

FOREIGN PATENT DOCUMENTS

333476 2/1921 Fed. Rep. of Germany 131/360

421125 12/1934 United Kingdom 131/360

Primary Examiner—Catherine E. Kemper

Attorney, Agent, or Firm—Wenderoth, Lind & Ponack

[57] CLAIM

The ornamental design for a cigarette, as shown and described.

DESCRIPTION

FIG. 1 is a side elevation view of the first embodiment of a cigarette showing my new design; FIG. 2 is bottom plan view thereof; FIG. 3 is a top plan view thereof; FIG. 4 is an end view from the direction of the upper end of the cigarette shown in FIG. 1; FIG. 5 is an end view taken from the direction of the lower end of the cigarette shown in FIG. 1; and FIG. 6 is a perspective view thereof; FIG. 7 is a side elevation view of the second embodiment of a cigarette showing my new design; FIG. 8 is a side elevation view thereof; FIG. 9 is an end view thereof taken from the upper end of the cigarette shown in FIG. 7; FIG. 10 is an end view taken from the bottom end of the cigarette shown in FIG. 7; and FIG. 11 is a perspective view thereof. The side view of the side opposite the view shown in FIG. 1 has the same appearance as FIG. 1, the side view of the side opposite the view shown in FIG. 7 has the same appearance FIG. 7, and the bottom plan view of the opposite side of the view of FIG. 8 has the same appearance as FIG. 8.

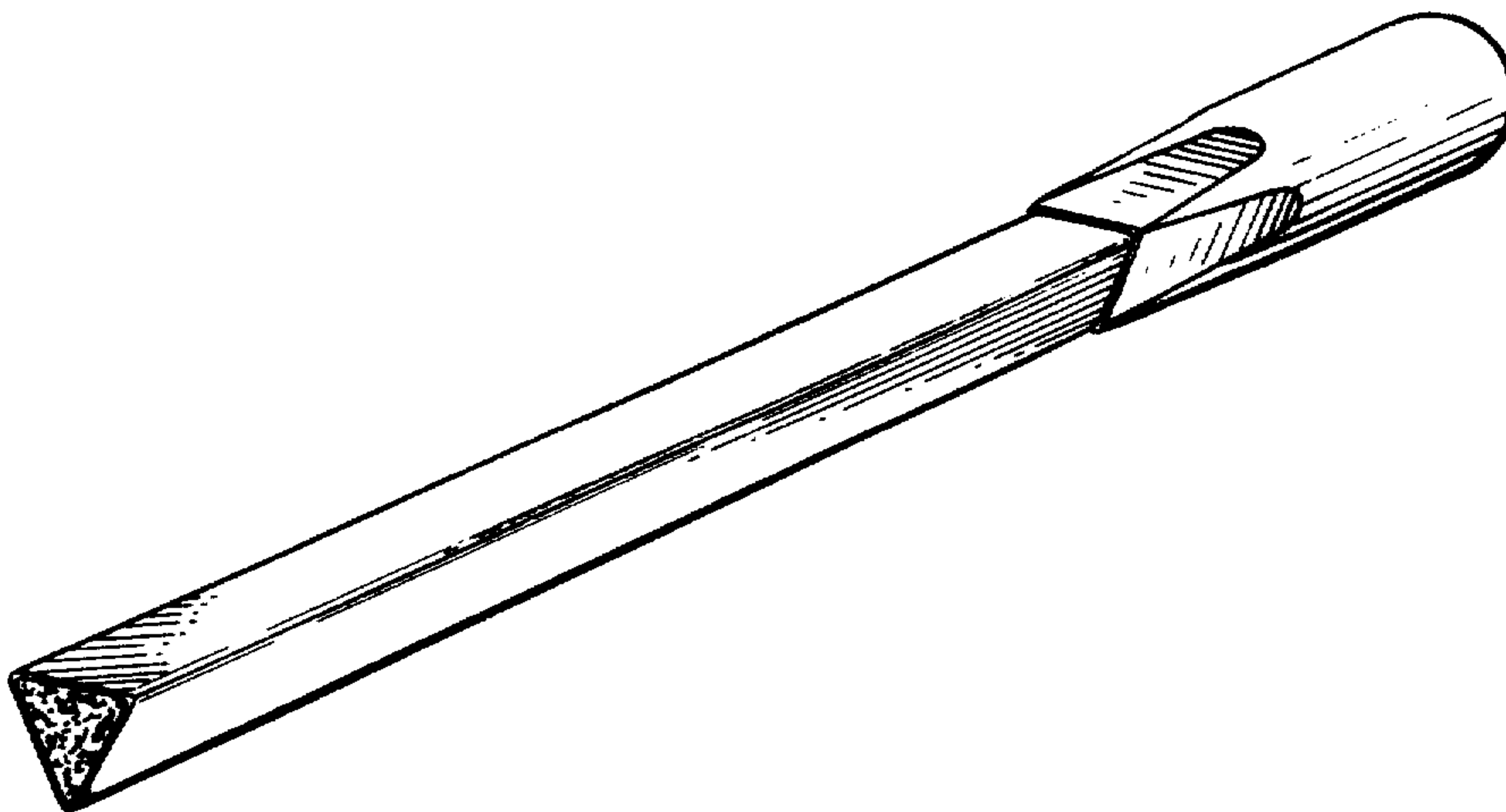




FIG. 4



FIG. 5



FIG. 1



FIG. 2



FIG. 3

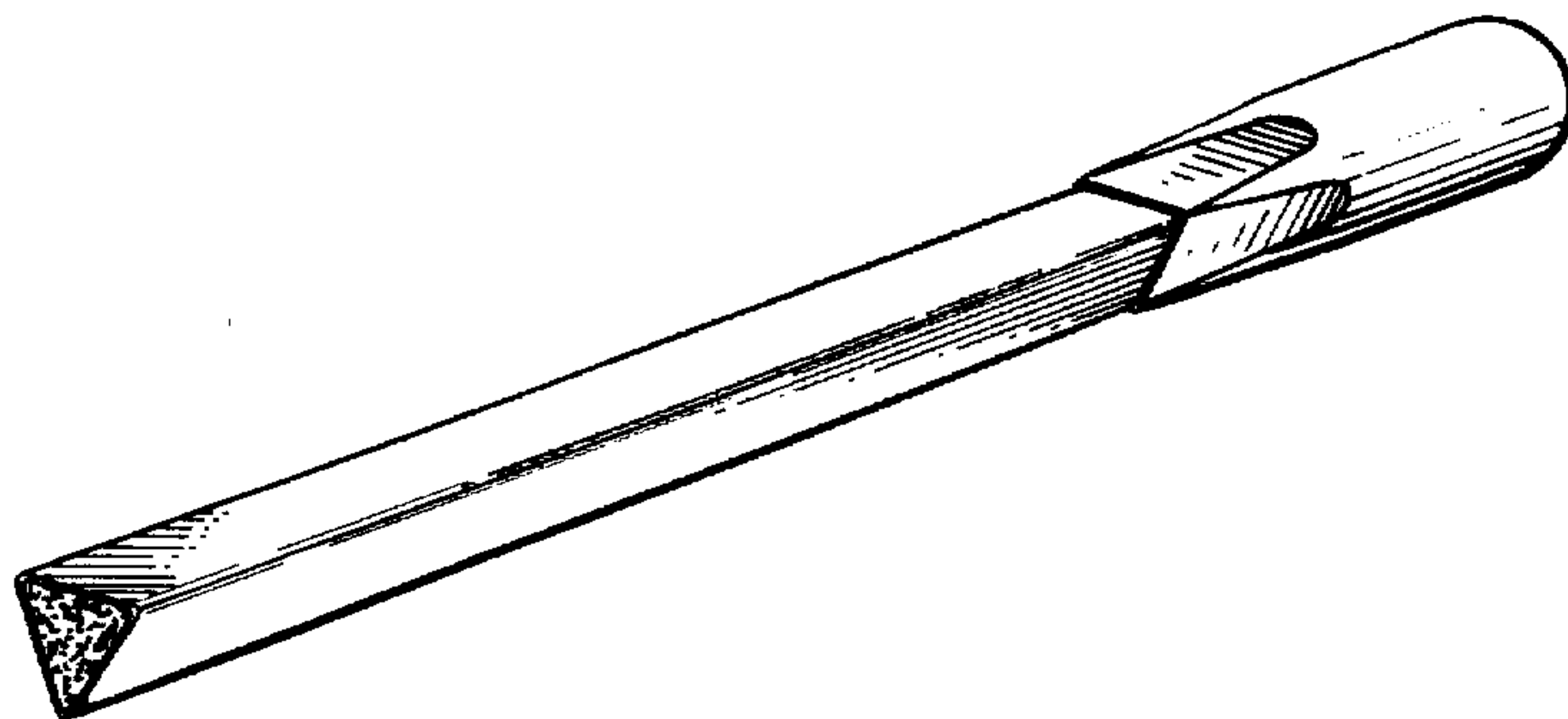


FIG. 6



FIG. 9



FIG. 10

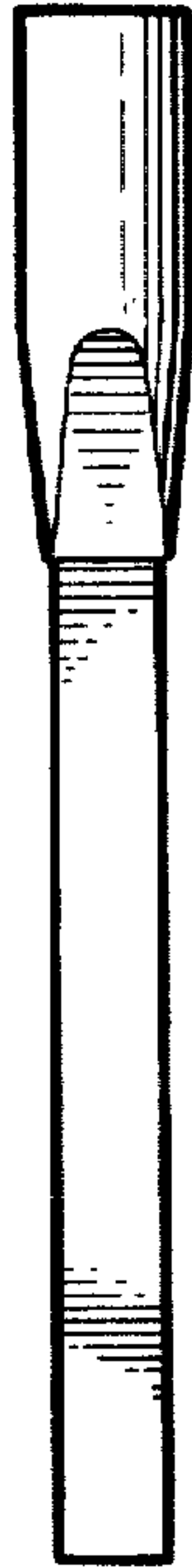


FIG. 7



FIG. 8

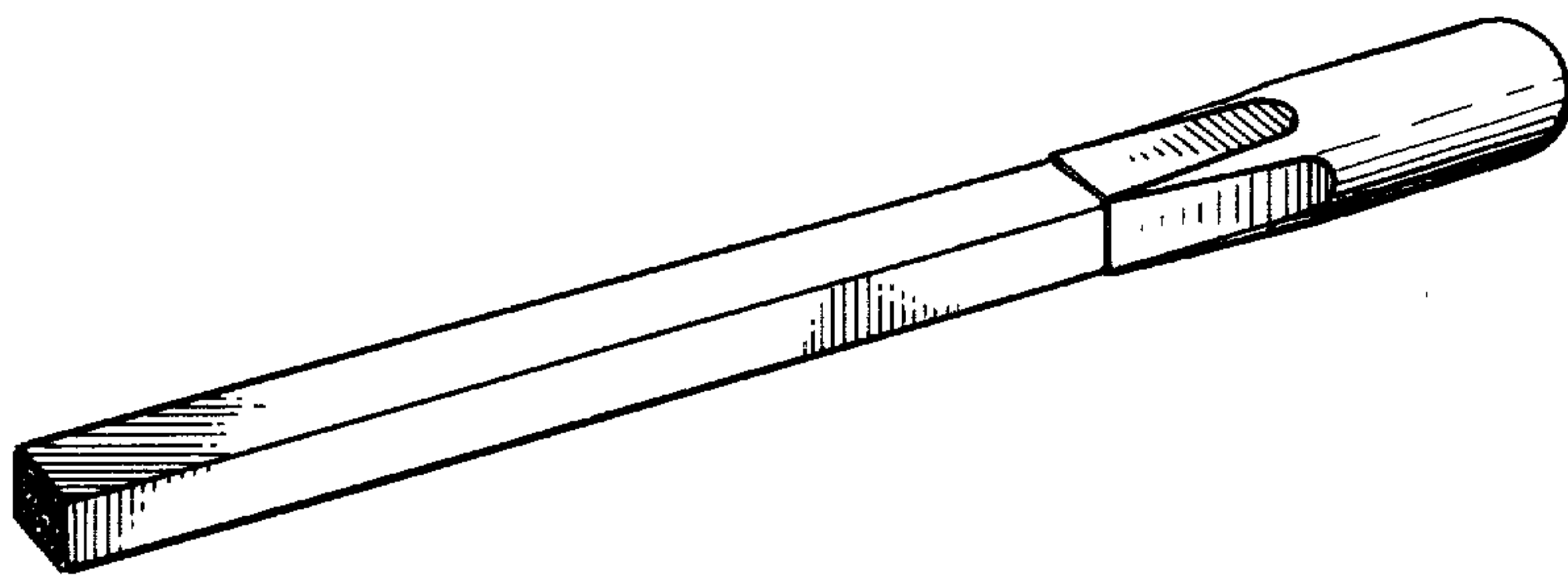


FIG. 11