

[54] COMBINATION LAMP AND OPEN TOP STORAGE TABLE

[76] Inventor: Kemper D. Asbury, Lot 94, 4220 Dolan Dr., Flint, Mich. 48504

[**] Term: 14 Years

[21] Appl. No.: 915,200

[22] Filed: Jun. 5, 1978

[51] Int. Cl. D26-05; D6-05

[52] U.S. Cl. D26/58; D26/72; D6/120

[58] Field of Search D26/51, 58, 72, 91, D26/88, 80; D6/120; 362/404, 405, 406, 407, 127, 132, 133, 154

[56] References Cited

U.S. PATENT DOCUMENTS

D. 95,515	5/1935	Kollwitz	D26/58
D. 183,239	7/1958	Brooks	D26/58
1,717,877	6/1929	D'Olier	362/404
3,596,077	7/1971	Miazga	362/132

FOREIGN PATENT DOCUMENTS

362232 8/1938 Italy 362/405

OTHER PUBLICATIONS

Lamp Journal, 12-1968, p. 20-Hanging Lamp. Lighting, 5-1954, p. 12-Lamp #J434. Royal Haeger Lamp Co. Catalog, 1956, p. 4-Lamp #6358.

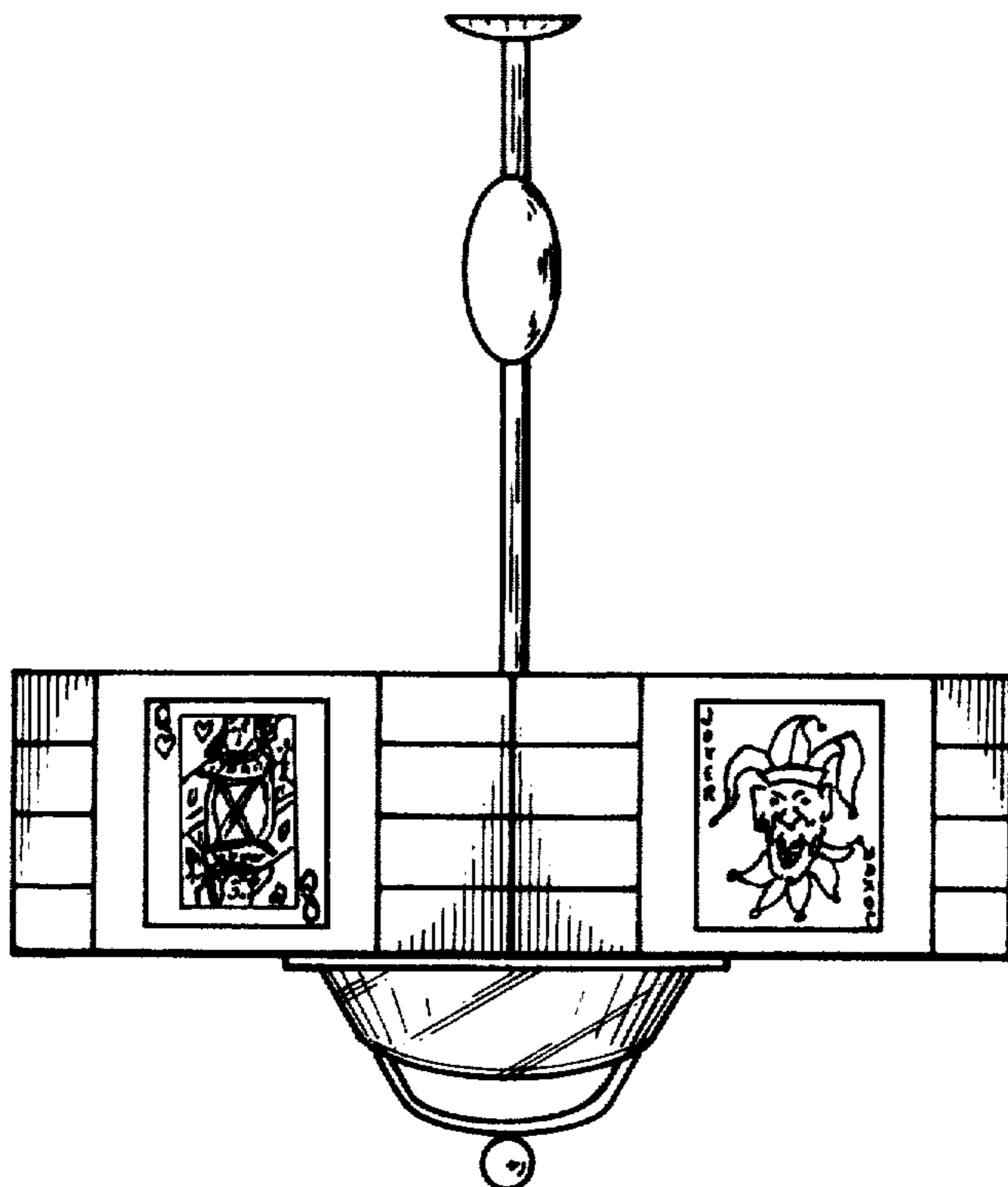
Primary Examiner—Susan J. Lucas
Attorney, Agent, or Firm—John J. Swartz

[57] CLAIM

The ornamental design for a combination lamp and open top storage table, as shown and described.

DESCRIPTION

FIG. 1 is a bottom plan view of a combination lamp and open top storage table, illustrating my new design; FIG. 2 is a side elevational view taken along lines 2-2 of FIG. 1; FIG. 3 is a perspective view thereof; FIG. 4 is a side elevational view taken along the lines 4-4 of FIG. 1; and FIG. 5 is a side elevational view taken along the lines 5-5 of FIG. 1.



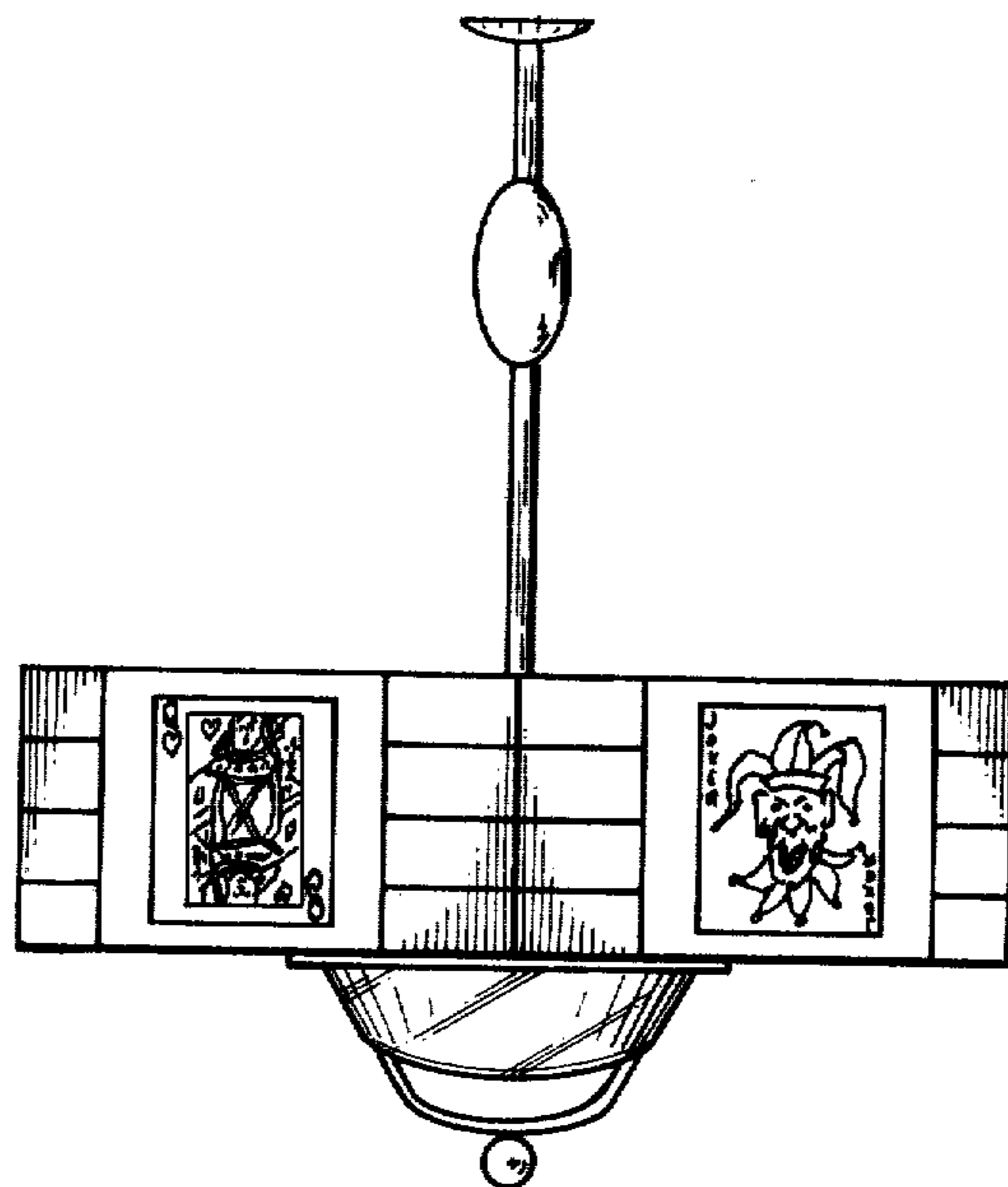


Fig. 2

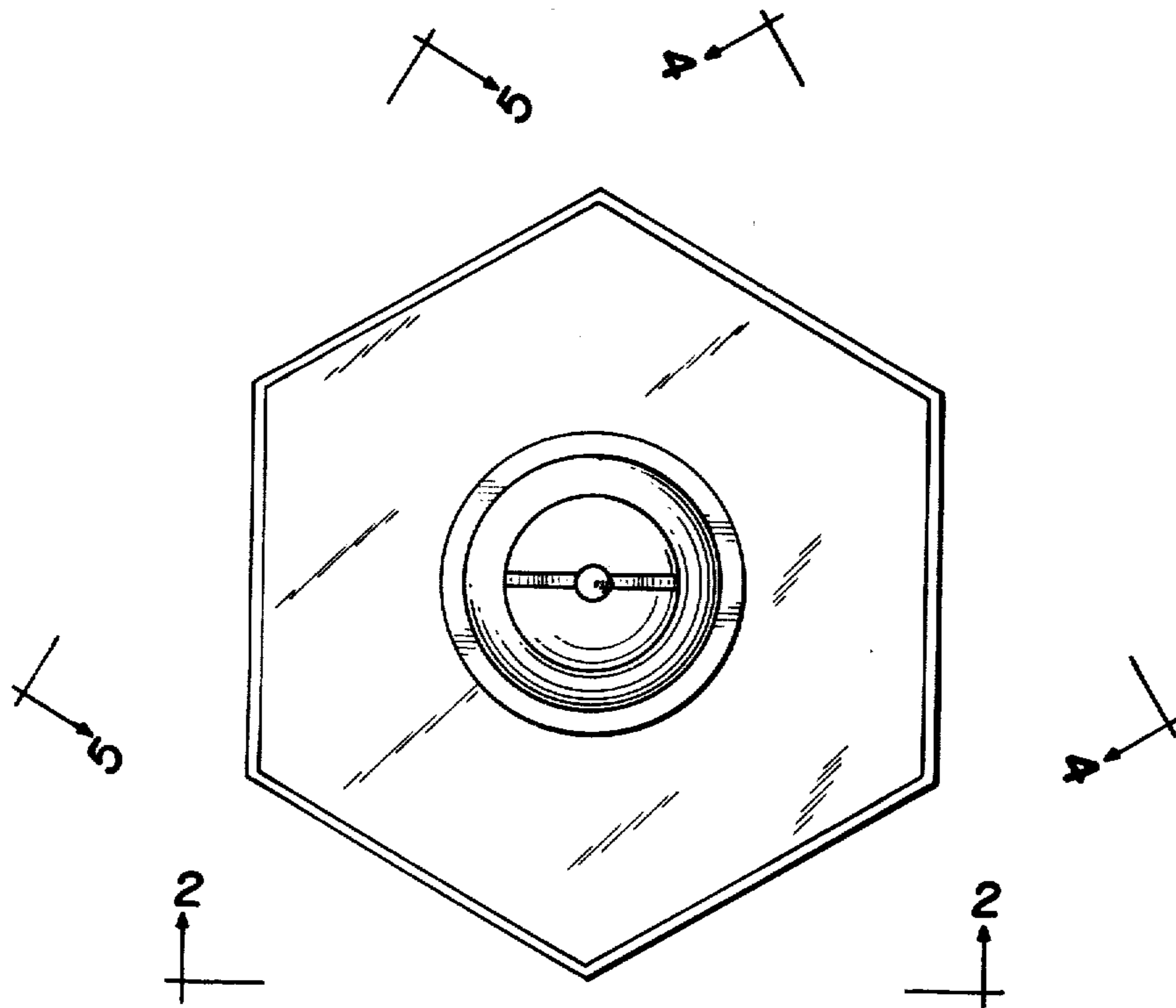


Fig. 1

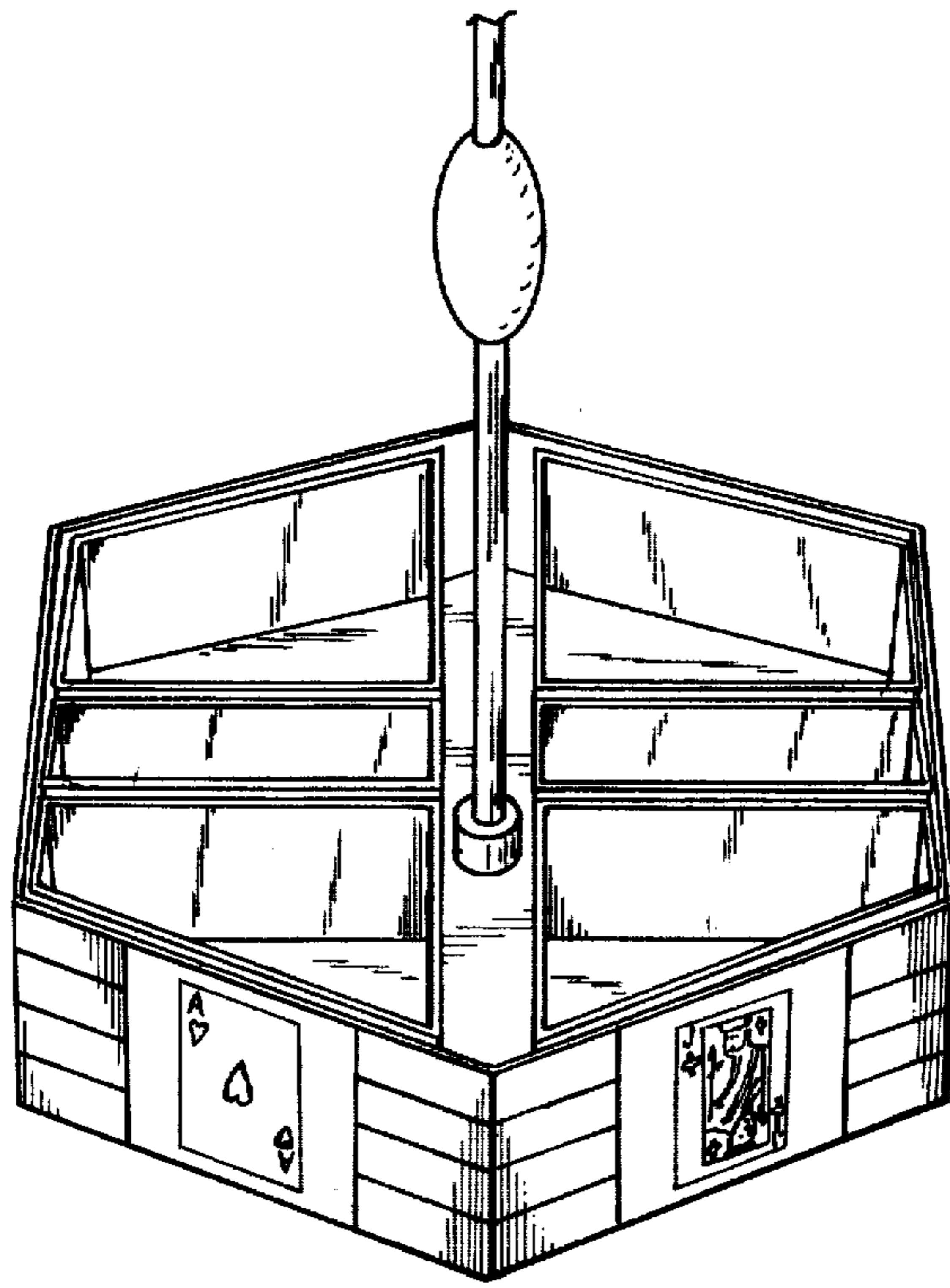


Fig. 3

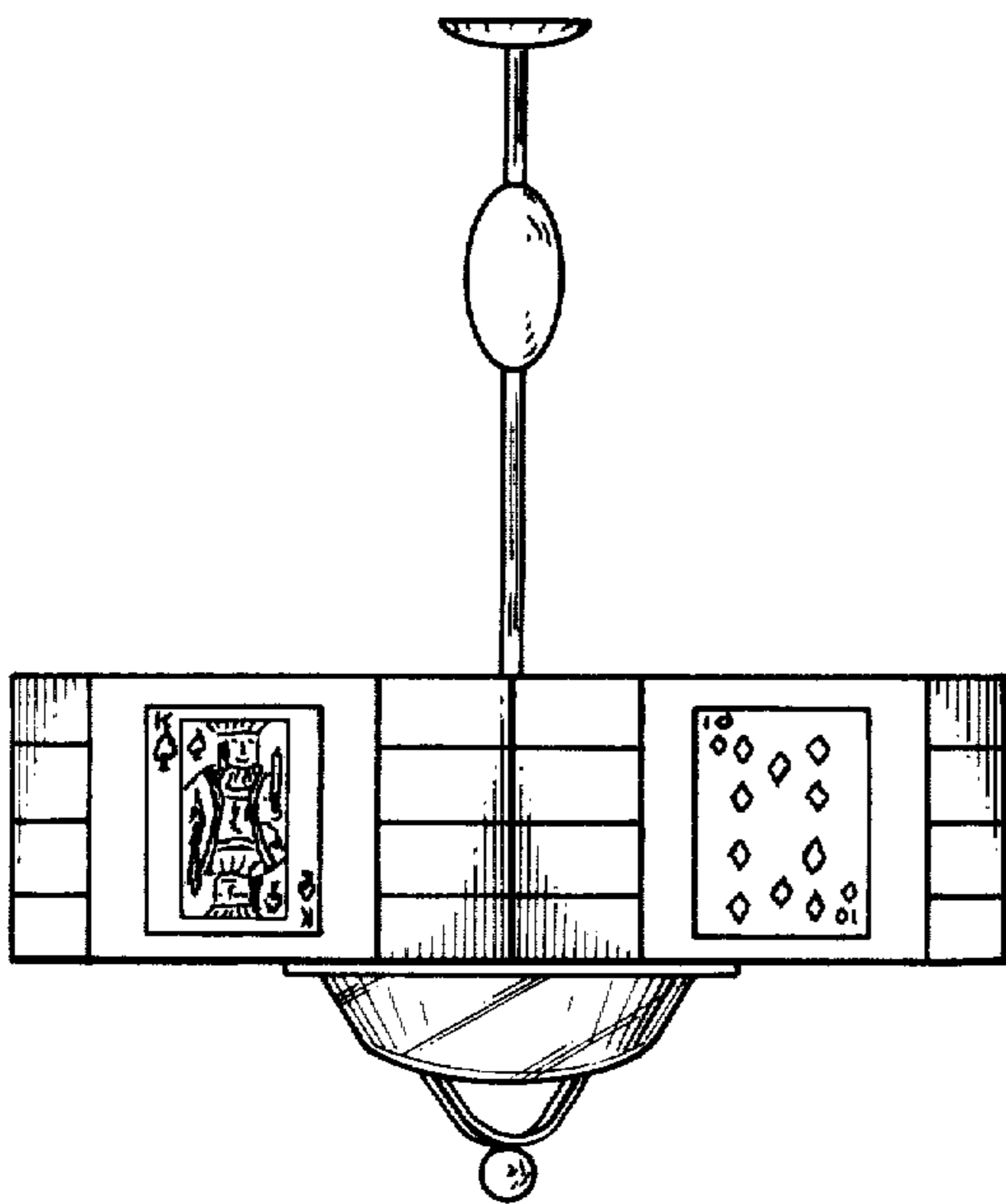


Fig. 4

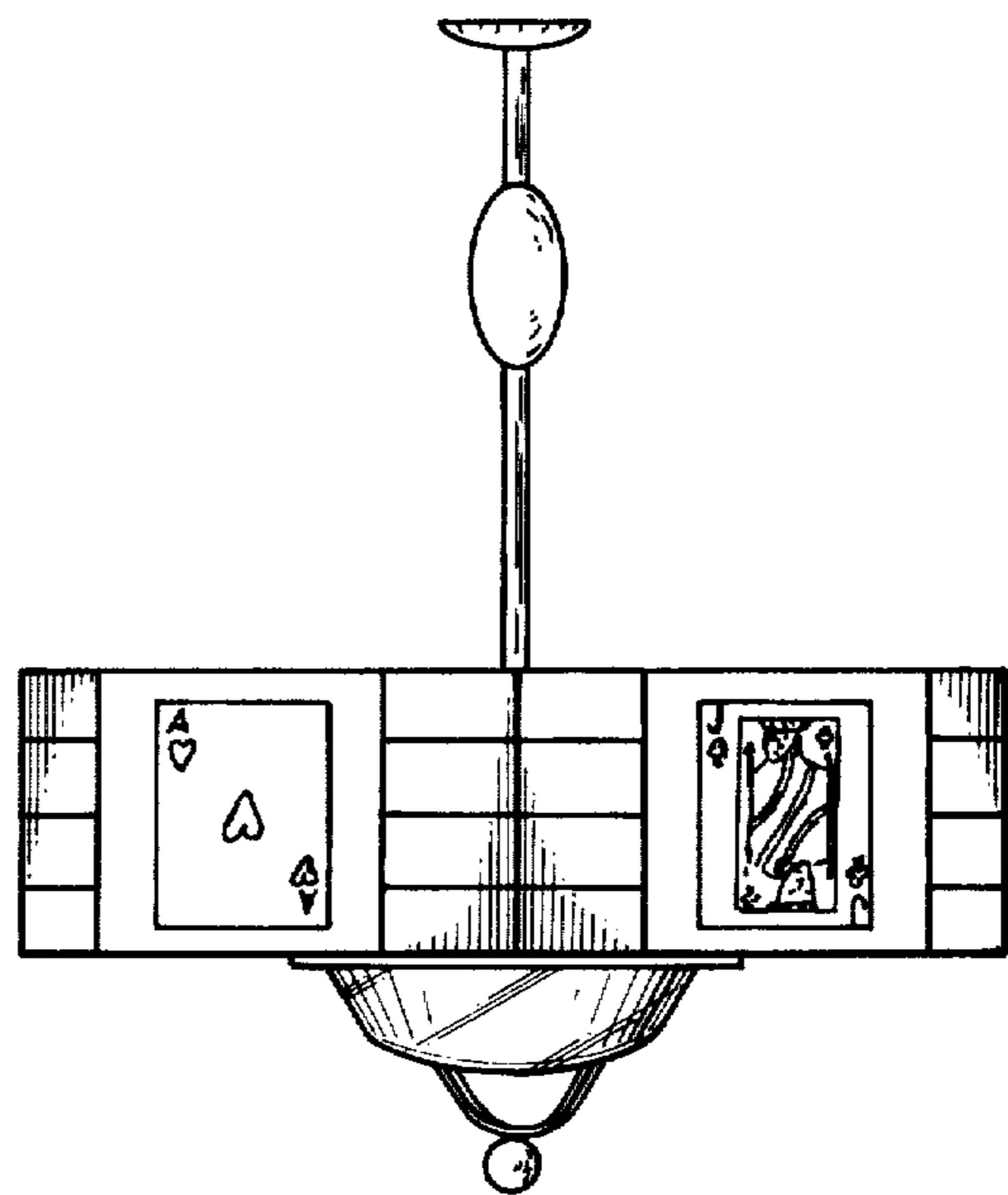


Fig. 5