

[54] **BREATHING CIRCUIT FILTER**

[75] **Inventor:** David J. Rosenberg, Glen Cove, N.Y.

[73] **Assignee:** Pall Corporation, Glen Cove, N.Y.

[**] **Term:** 14 Years

[21] **Appl. No.:** 171,228

[22] **Filed:** Jul. 22, 1980

[51] **Int. Cl.** D24—02; D23—99

[52] **U.S. Cl.** D24/52; D23/4

[58] **Field of Search** 210/446, 493.1, 499;
D23/4; D24/52; 128/214 R

[56] **References Cited**

U.S. PATENT DOCUMENTS

D. 234,721	4/1975	Rosenberg	D23/4 X
D. 235,035	4/1975	Rosenberg et al.	D23/4 X
D. 238,456	1/1976	Mouwen	D24/52
D. 247,252	2/1978	Rosenberg	D23/4 X
D. 260,175	8/1981	Hein et al.	D23/4 X
3,765,537	10/1973	Rosenberg	210/446
4,014,797	3/1977	Raines et al.	210/446

Primary Examiner—Bernard Ansher

[57] **CLAIM**

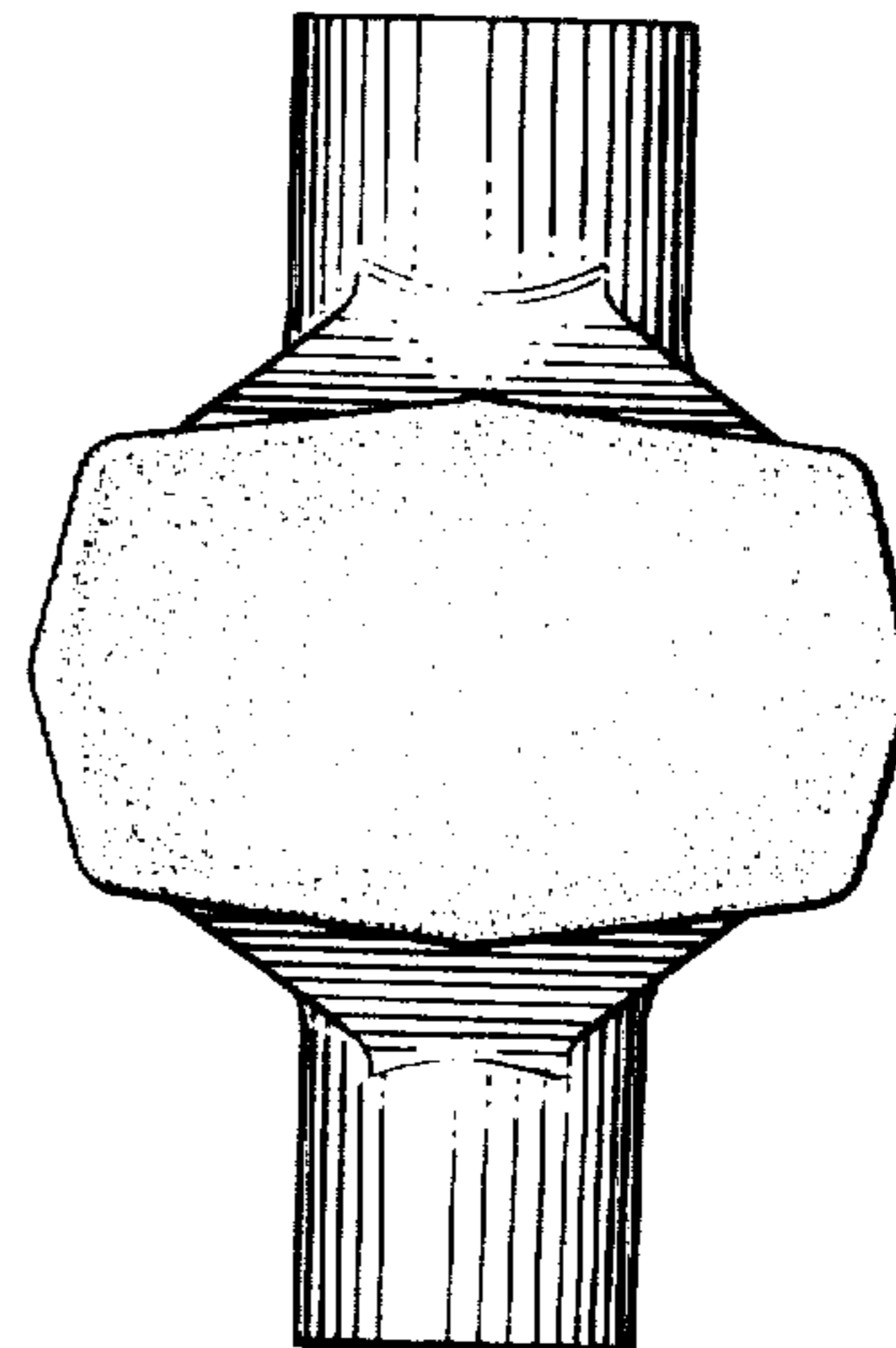
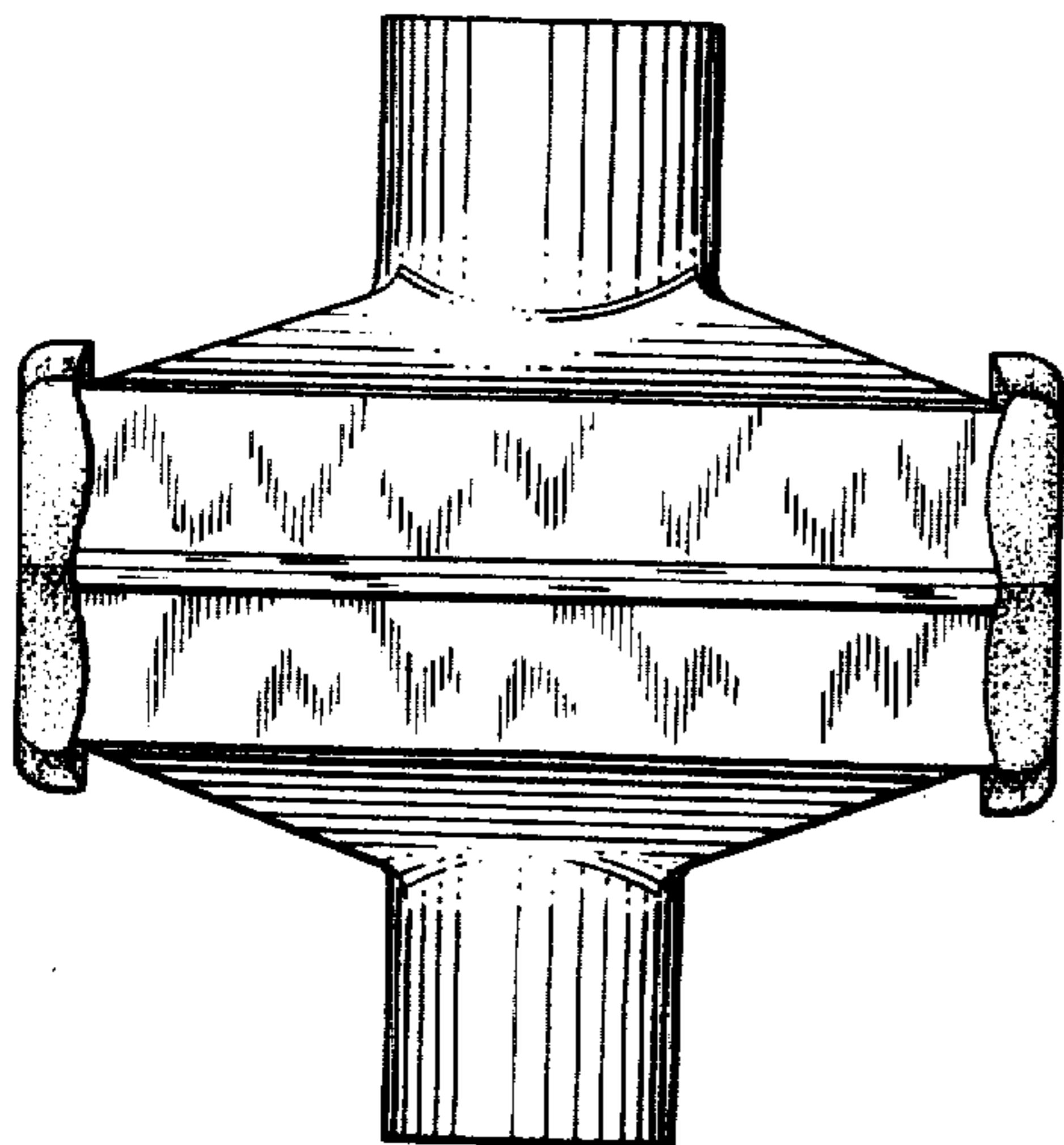
The ornamental design for a breathing circuit filter, substantially as shown.

DESCRIPTION

FIG. 1 is a top plan view of a breathing circuit filter showing my new design;

FIG. 2 is a view of one side thereof, and

FIG. 3 is a view of another side thereof.



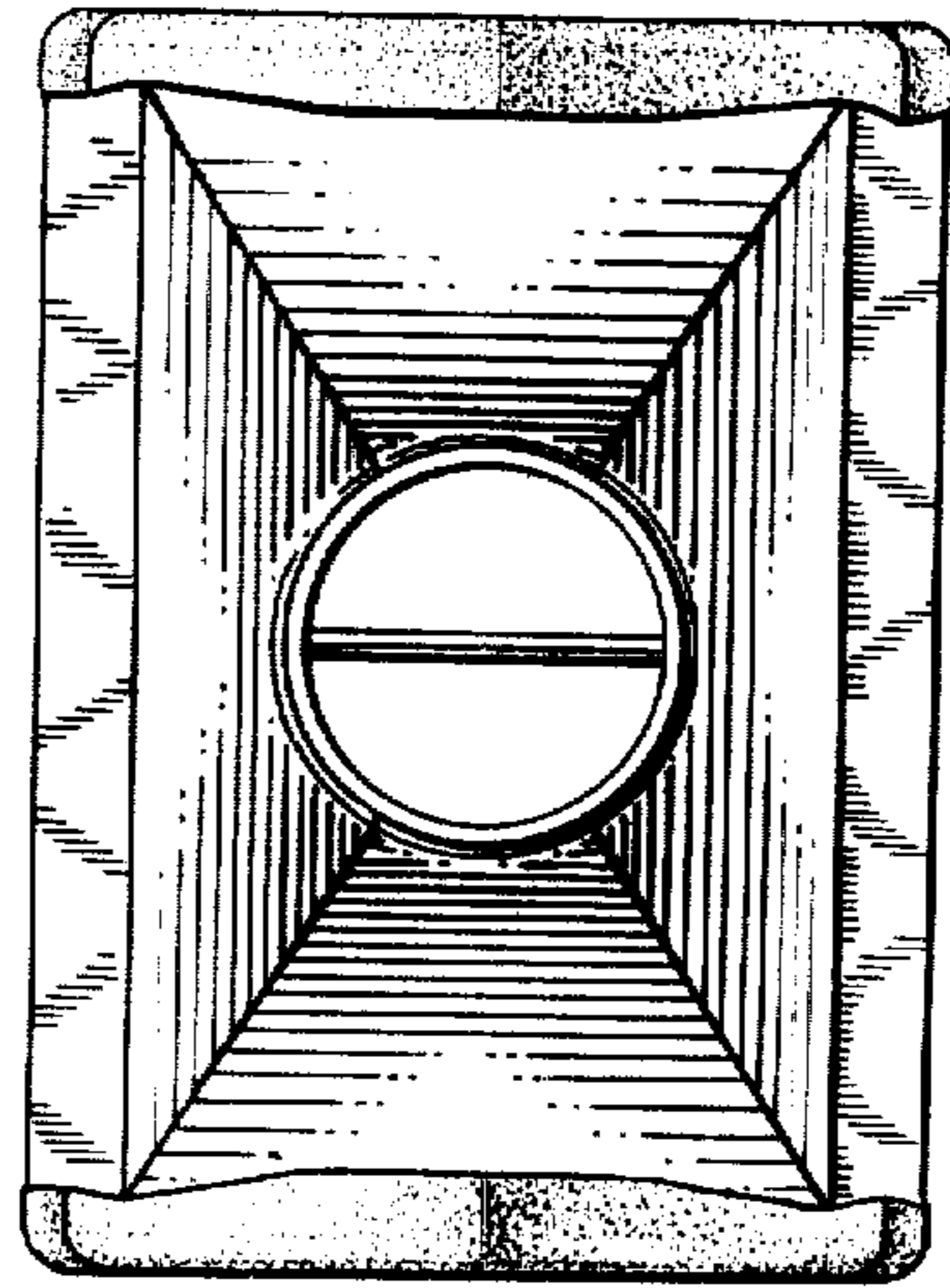


FIG. 1

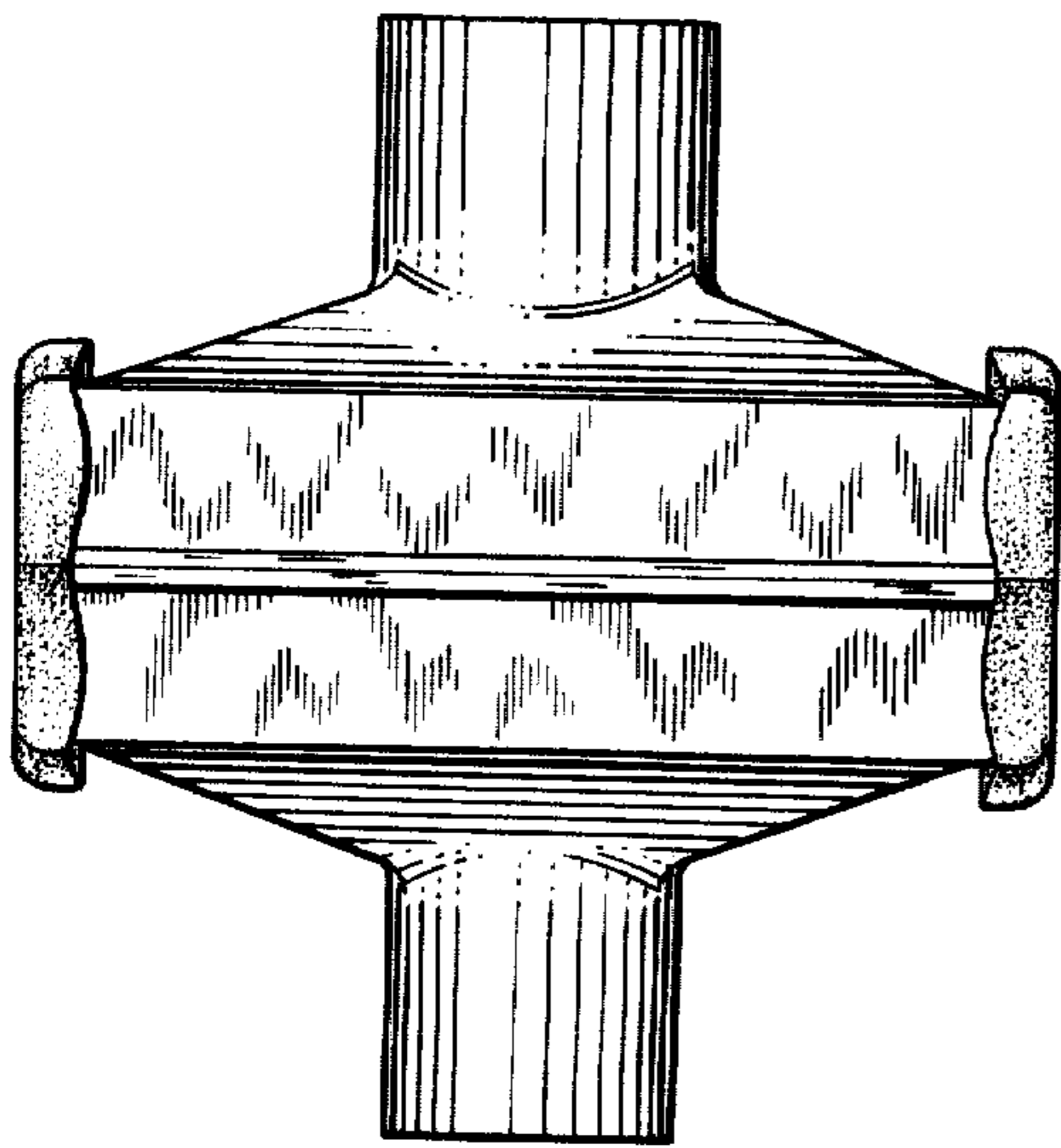


FIG. 2

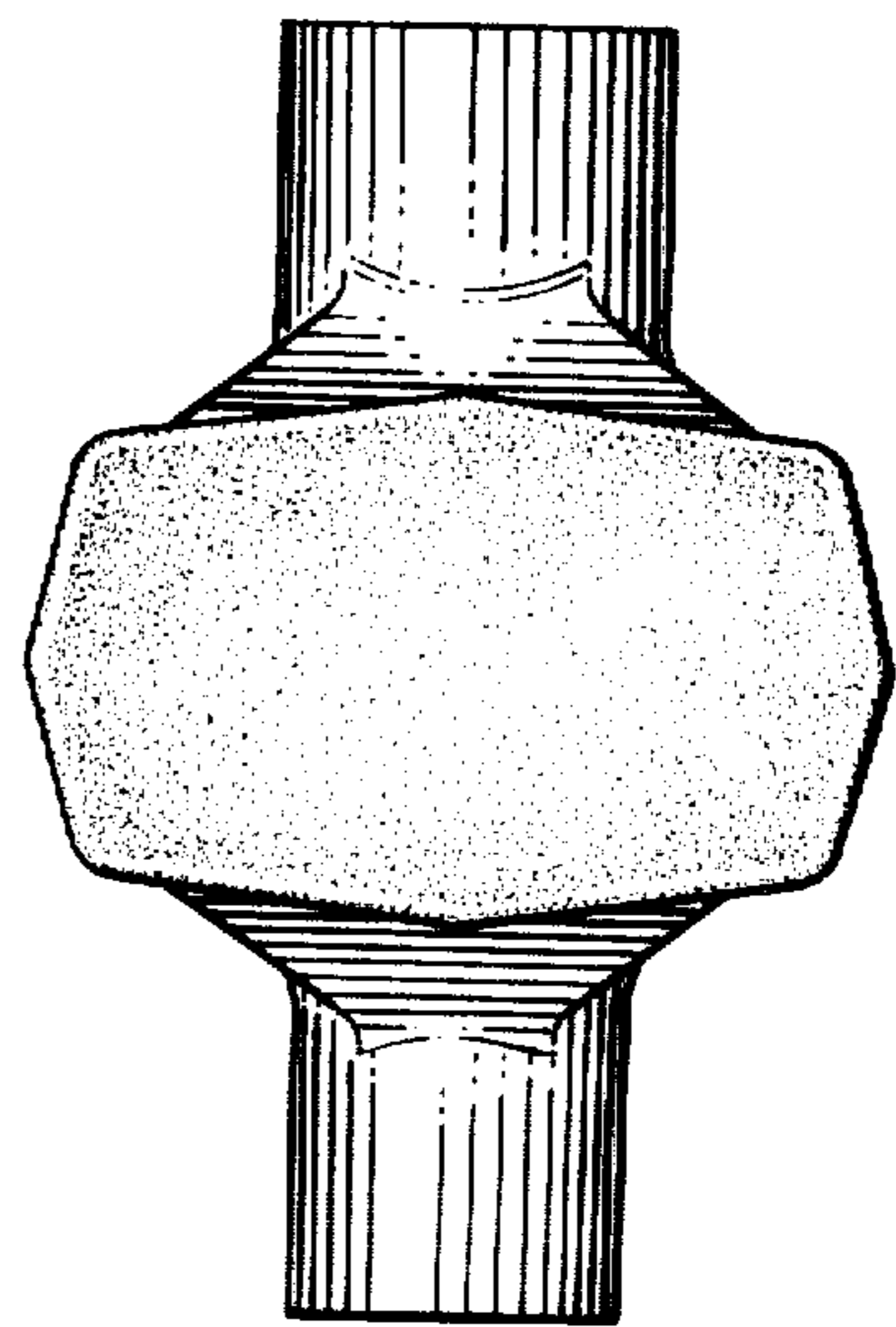


FIG. 3