

[54] PACIFIER

[75] Inventor: Gediminas J. Bubelis, Reedsburg, Wis.

[73] Assignee: Gerber Products Company, Fremont, Mich.

[**] Term: 14 Years

[21] Appl. No.: 114,870

[22] Filed: Jan. 24, 1980

[51] Int. Cl. D24-04

[52] U.S. Cl. D24/46

[58] Field of Search D24/45, 46; 215/11 R; 128/359, 360, 252

[56] References Cited

U.S. PATENT DOCUMENTS

D. 170,051 7/1953 Colm D24/45

D. 245,335	8/1977	Meeker	D24/45
D. 245,790	9/1977	Meeker	D24/45
D. 255,268	6/1980	Bernstein	D24/45 X
3,267,937	8/1966	Verschoor	128/360
3,669,117	6/1972	Herbst	128/360
3,825,014	7/1974	Wroten	128/360

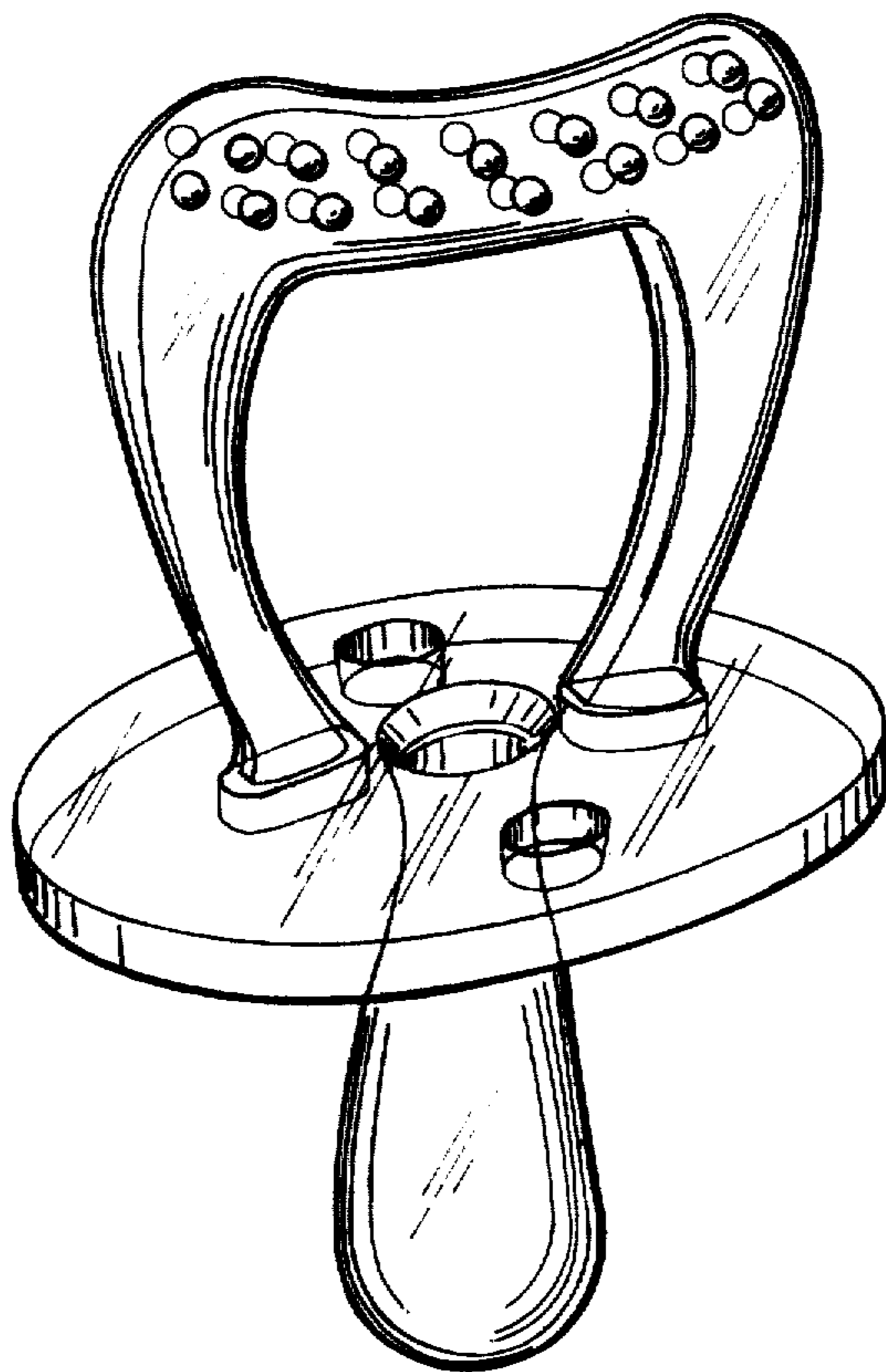
Primary Examiner—Bernard Ansher
Attorney, Agent, or Firm—Townsend and Townsend

[57] CLAIM

The design for a pacifier, as shown.

DESCRIPTION

FIG. 1 is a perspective view of a pacifier showing my new design;
FIG. 2 is a top plan view thereof;
FIG. 3 is a front elevational view and a rear elevational view thereof;
FIG. 4 is a side elevational view, the opposite side being a mirror image thereof; and
FIG. 5 is a bottom plan view thereof.



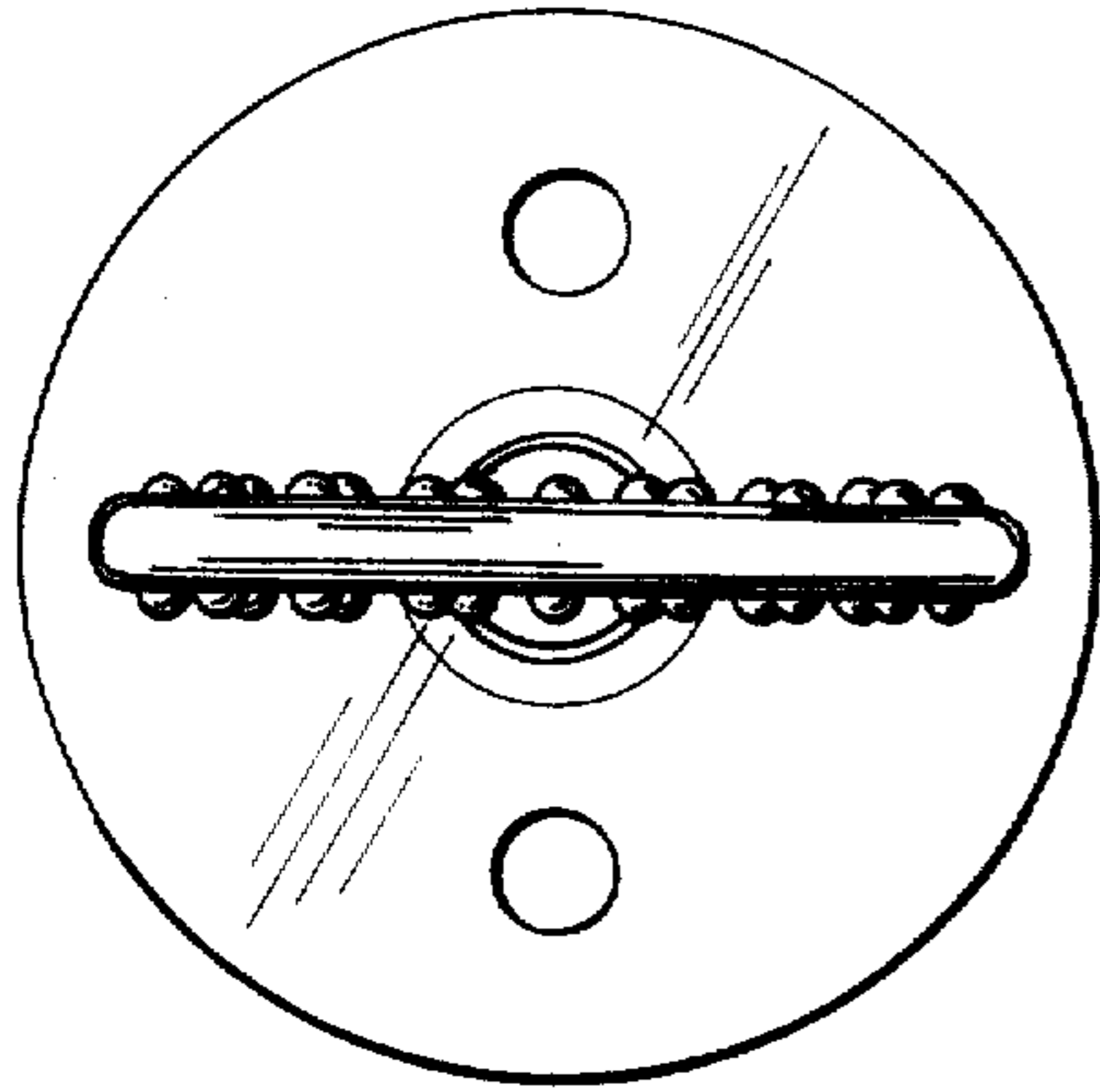


FIG. 2.

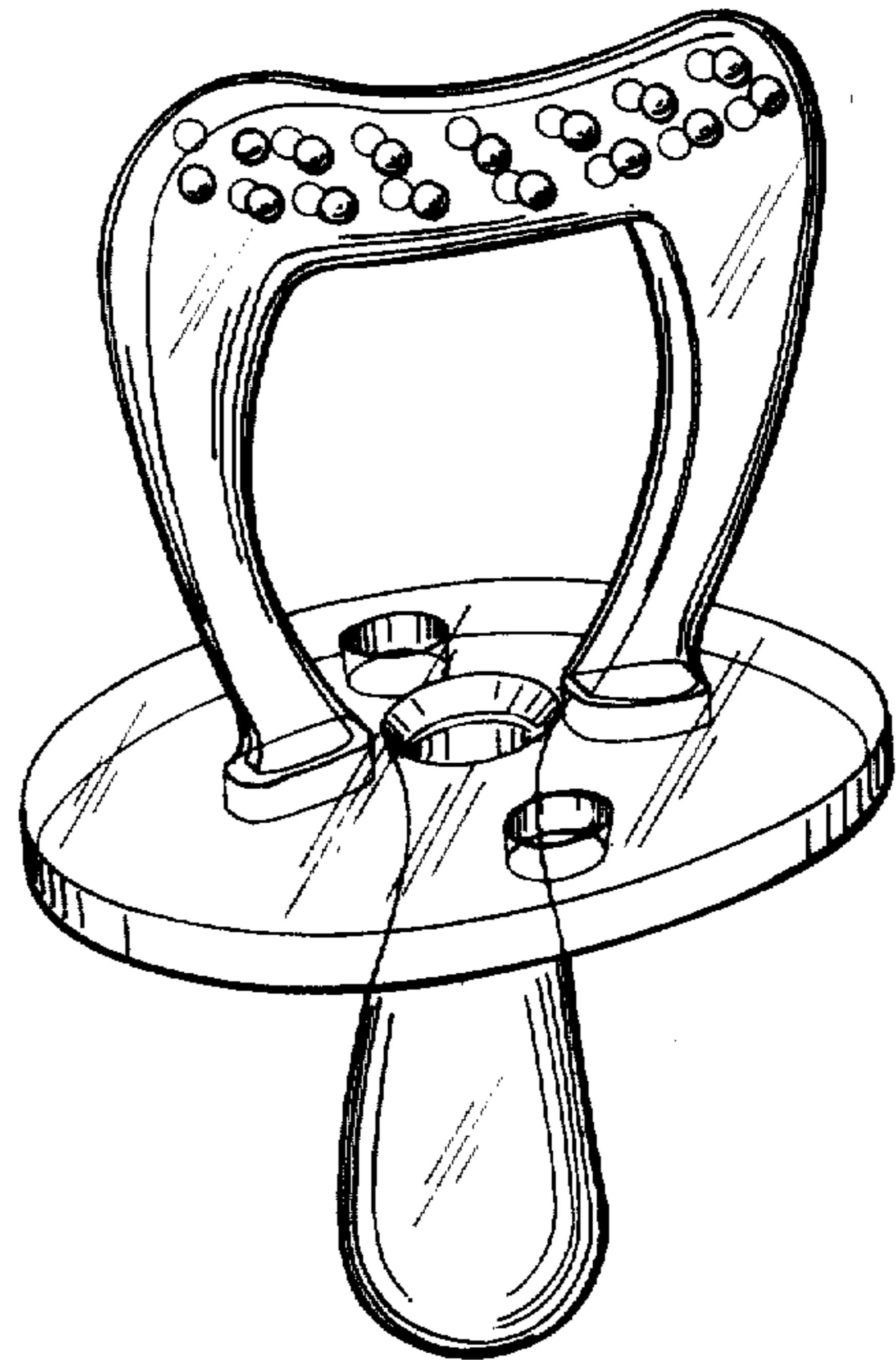


FIG. 1.

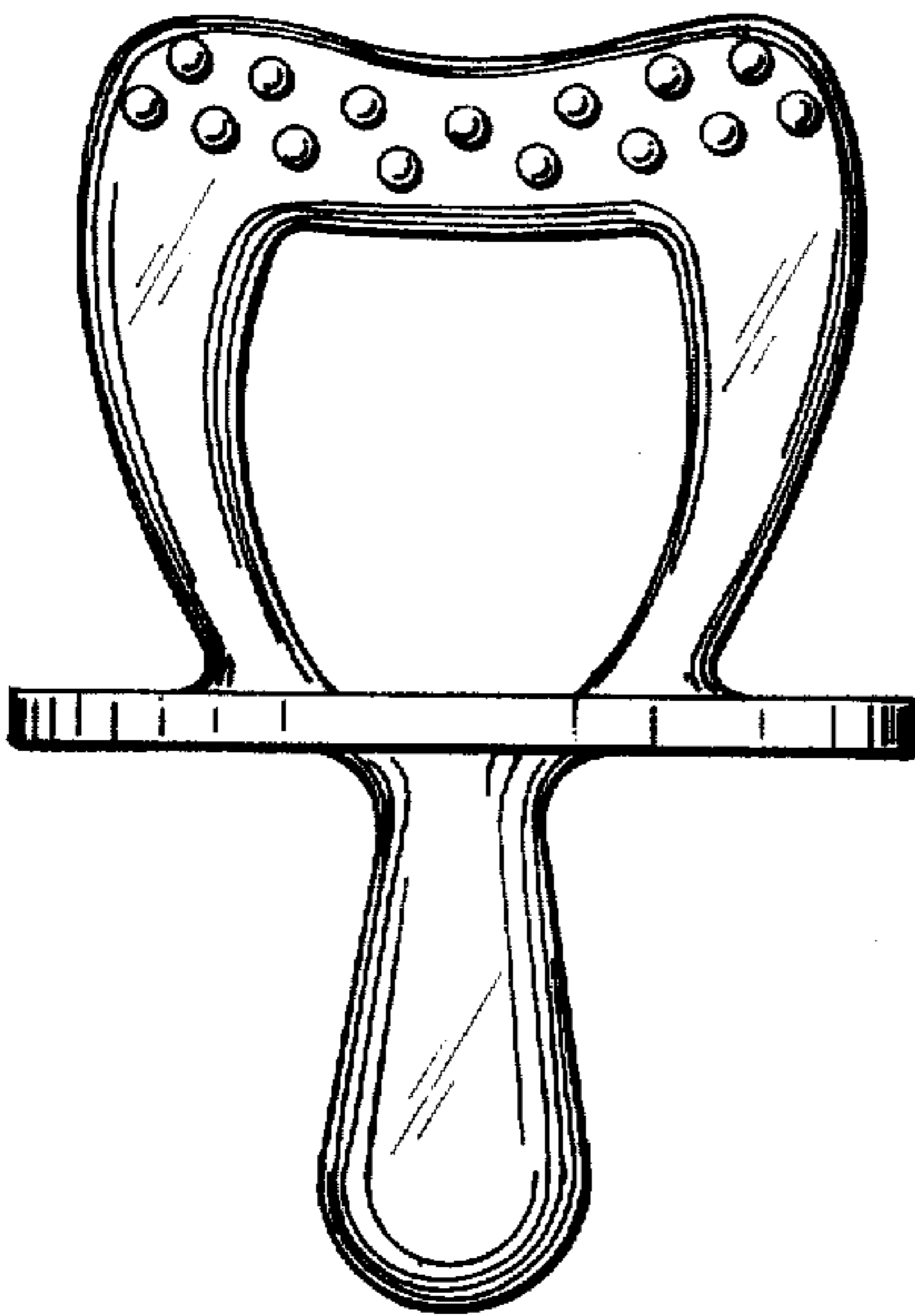


FIG. 3.

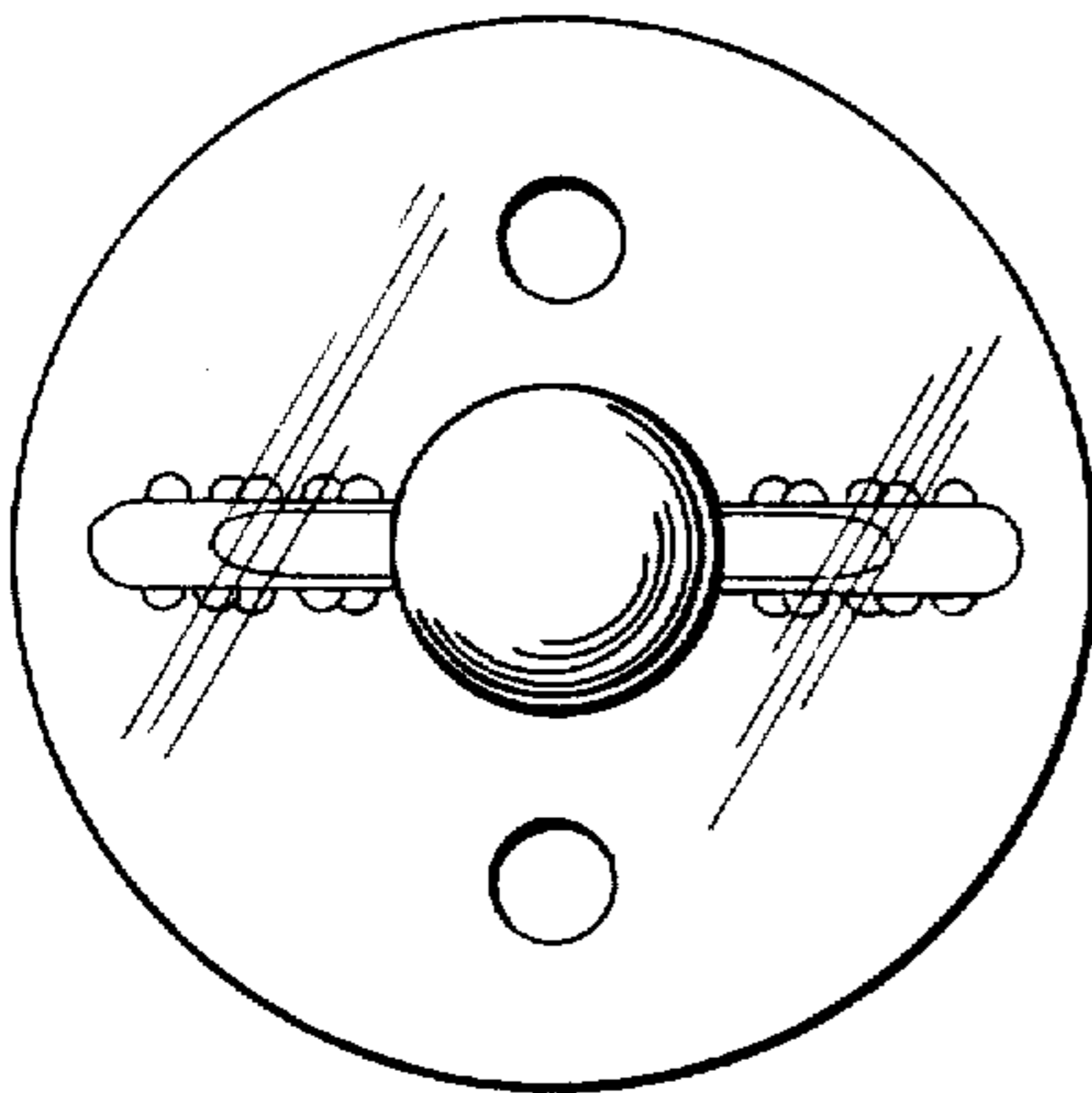


FIG. 5.

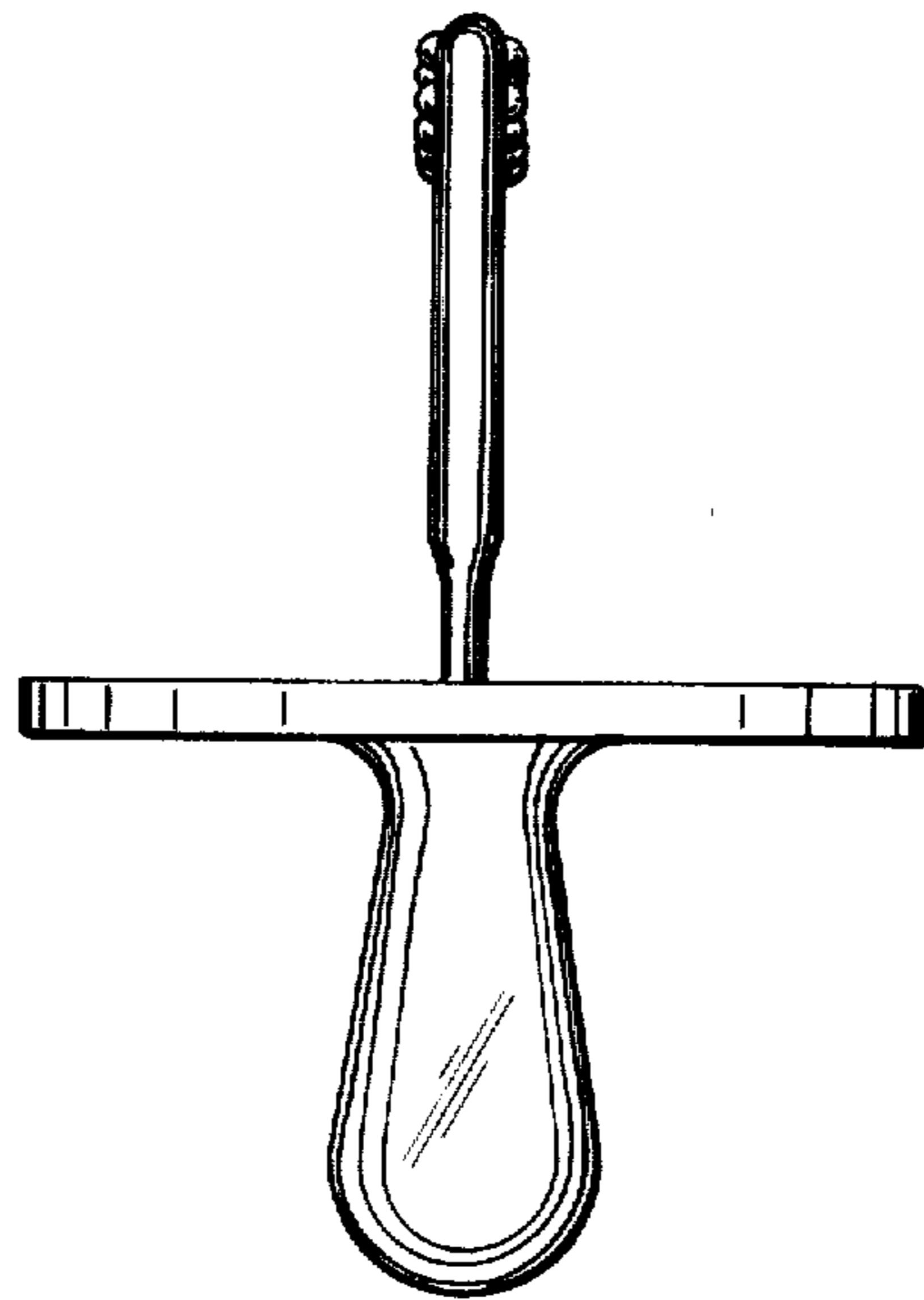


FIG. 4.