

[54] WOOD BURNING STOVE

[76] Inventor: George R. Potter, 784 Beaver Creek Rd., Coos Bay, Oreg. 97470

[\*\*] Term: 14 Years

[21] Appl. No.: 232,437

[22] Filed: Feb. 9, 1981

[51] Int. Cl. .... D23-03

[52] U.S. Cl. .... D23/97

[58] Field of Search ..... D23/92-97, D23/105; 126/4, 6, 58, 60-66, 120, 121, 123, 126

[56] References Cited

U.S. PATENT DOCUMENTS

D. 252,281 7/1979 Kincaid ..... D23/97

Primary Examiner—Catherine E. Kemper

Attorney, Agent, or Firm—Chernoff & Vilhauer

[57] CLAIM

The ornamental design for a wood burning stove, as shown and described.

DESCRIPTION

FIG. 1 is a perspective view of a wood burning stove, showing my new design;

FIG. 2 is a right side elevational view thereof, at a reduced scale;

FIG. 3 is a rear elevational view thereof, at a reduced scale;

FIG. 4 is a plan view thereof, at a reduced scale;

FIG. 5 is a left side elevational view thereof, at a reduced scale;

FIG. 6 is a front elevational view thereof, at a reduced scale;

FIG. 7 is a bottom view thereof, at a reduced scale; and

FIG. 8 is a perspective view showing the rear and left end thereof, at a reduced scale.

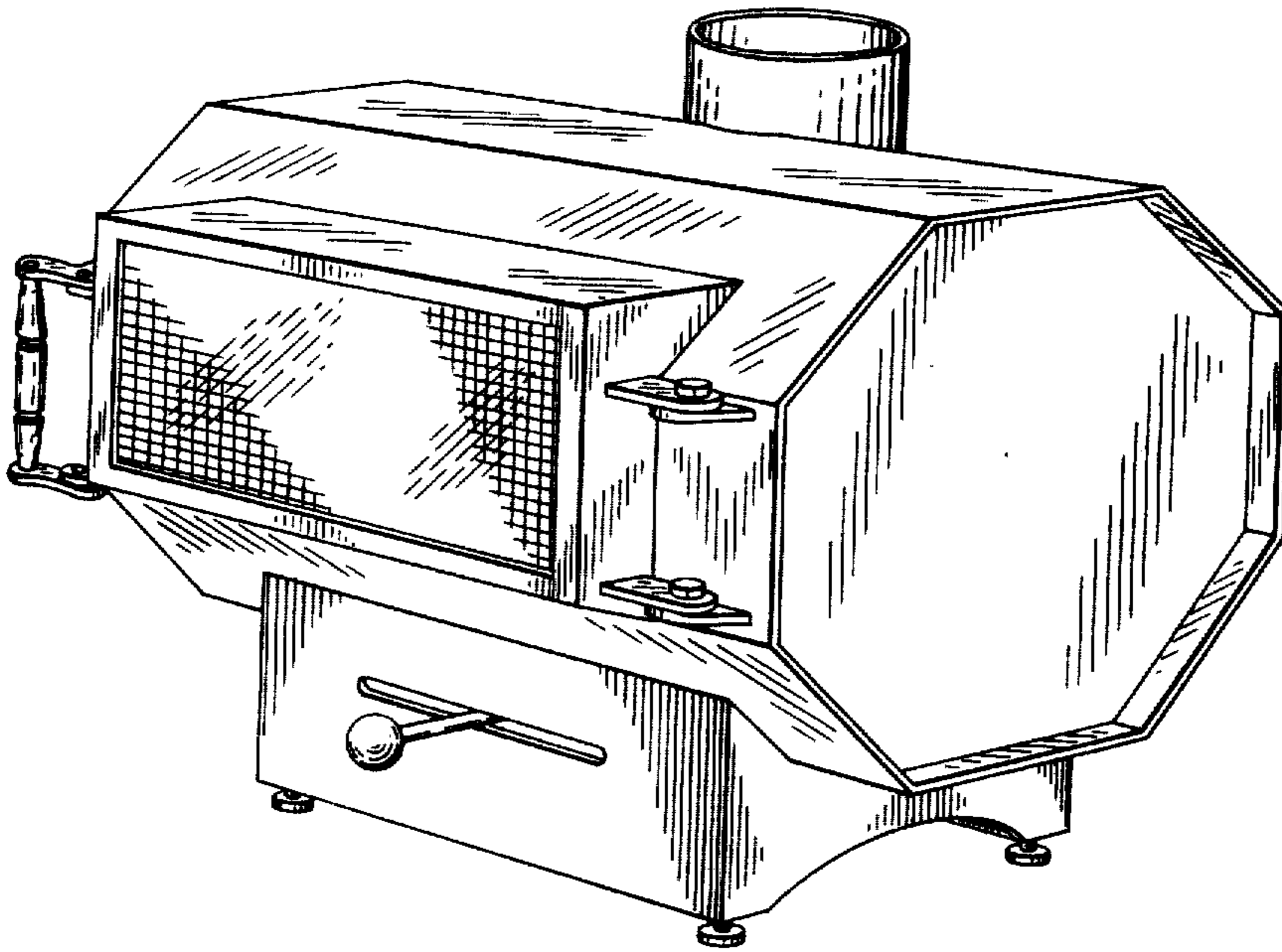


FIG. 1

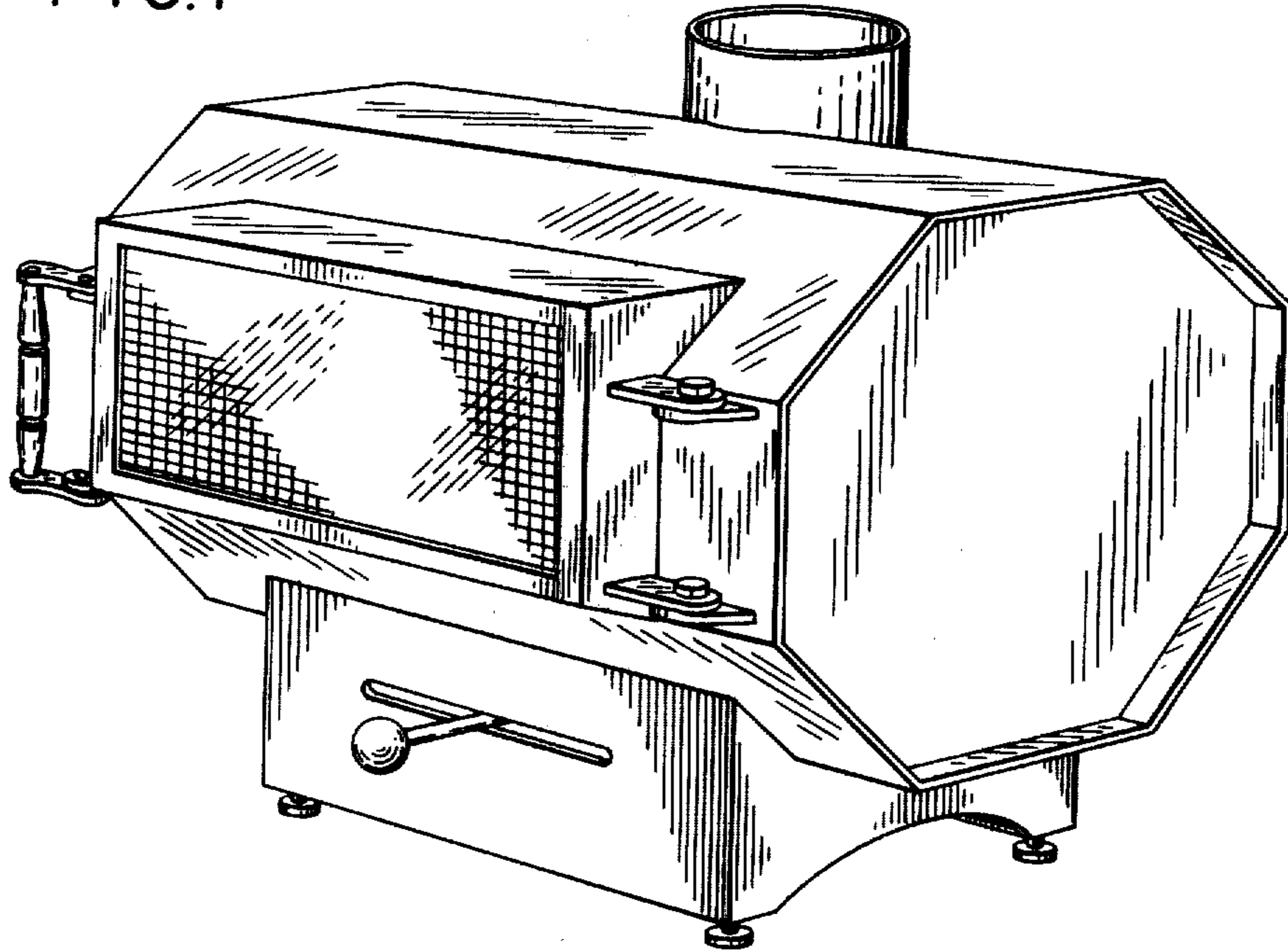


FIG. 2

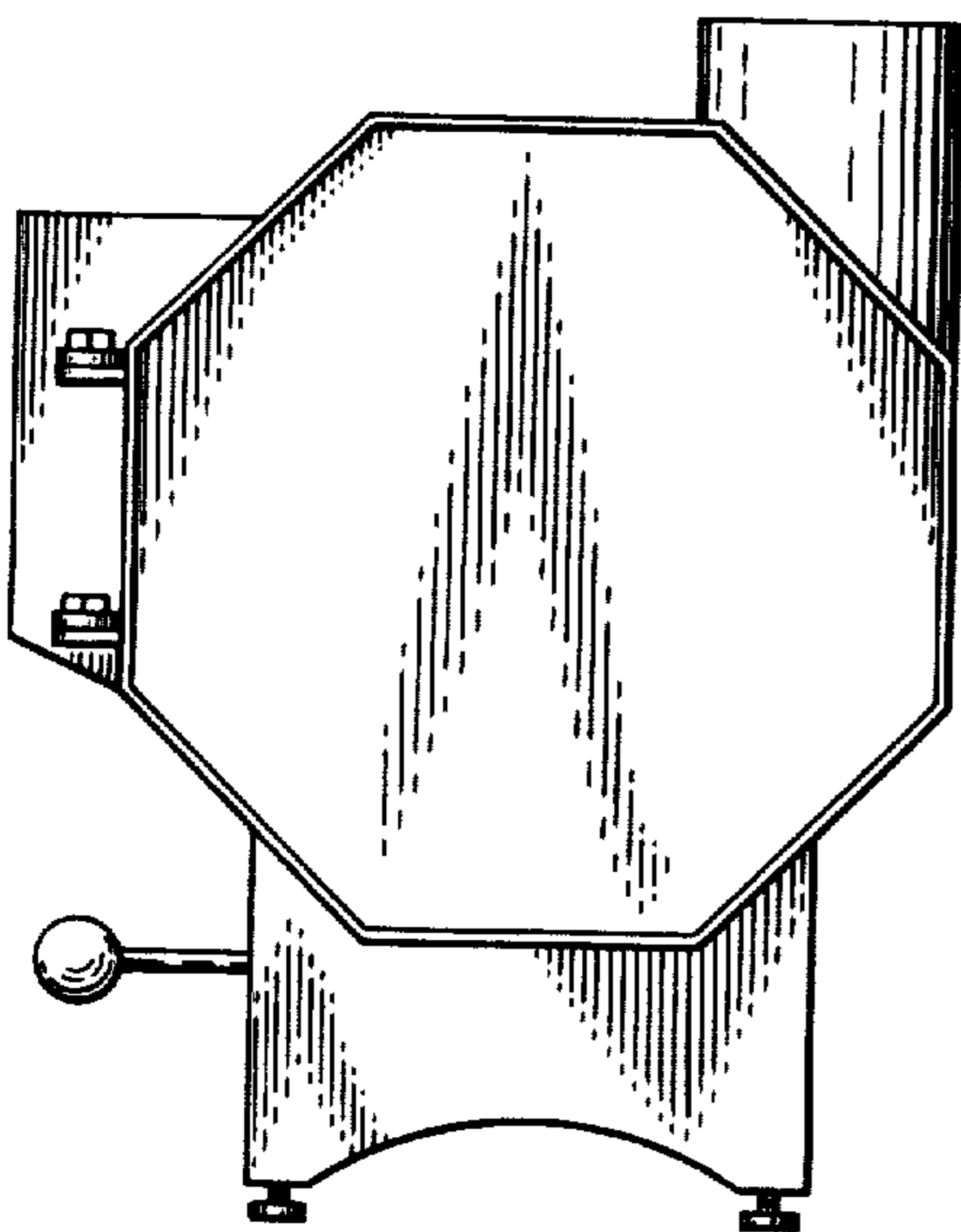


FIG. 3

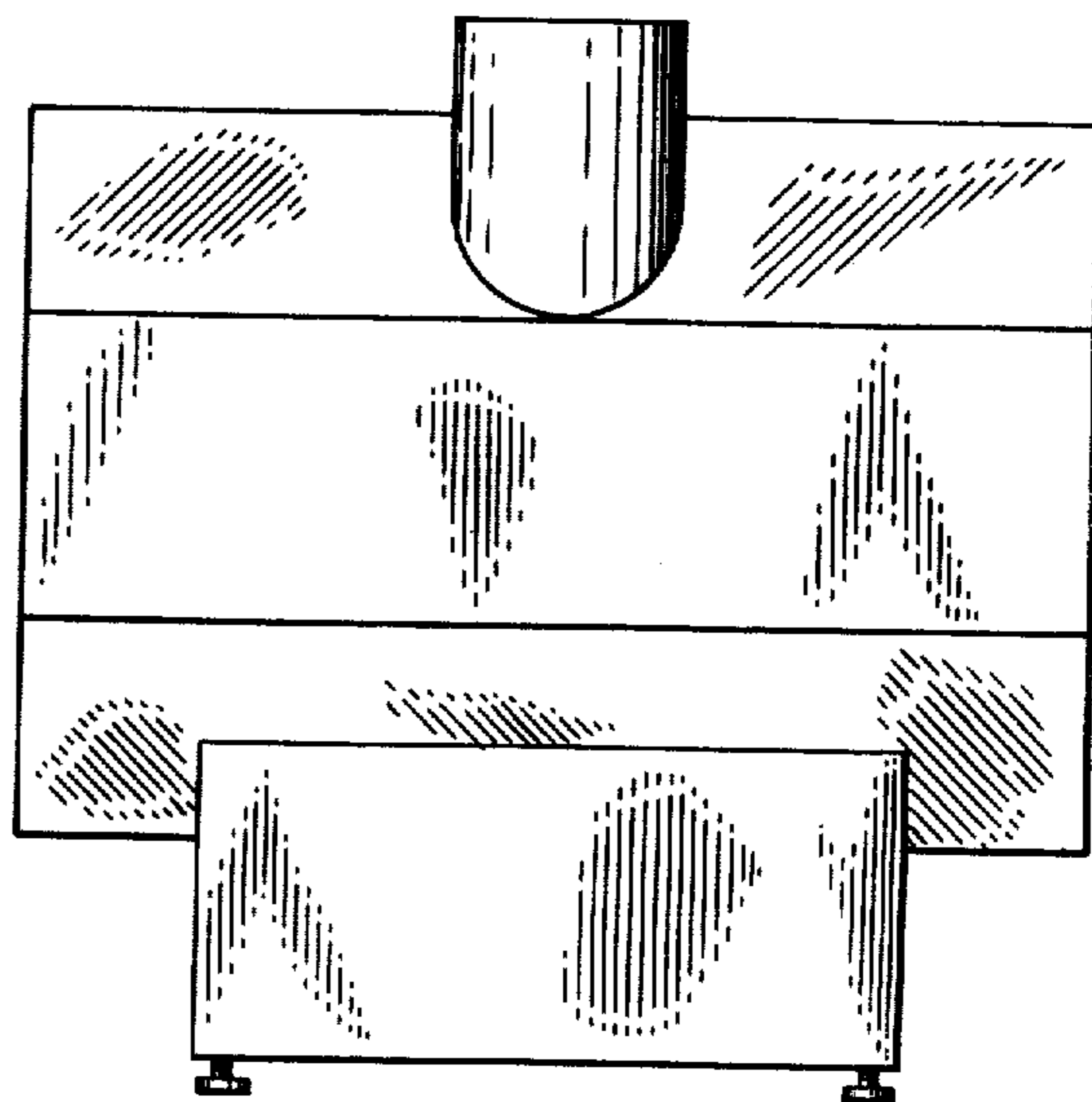


FIG. 4

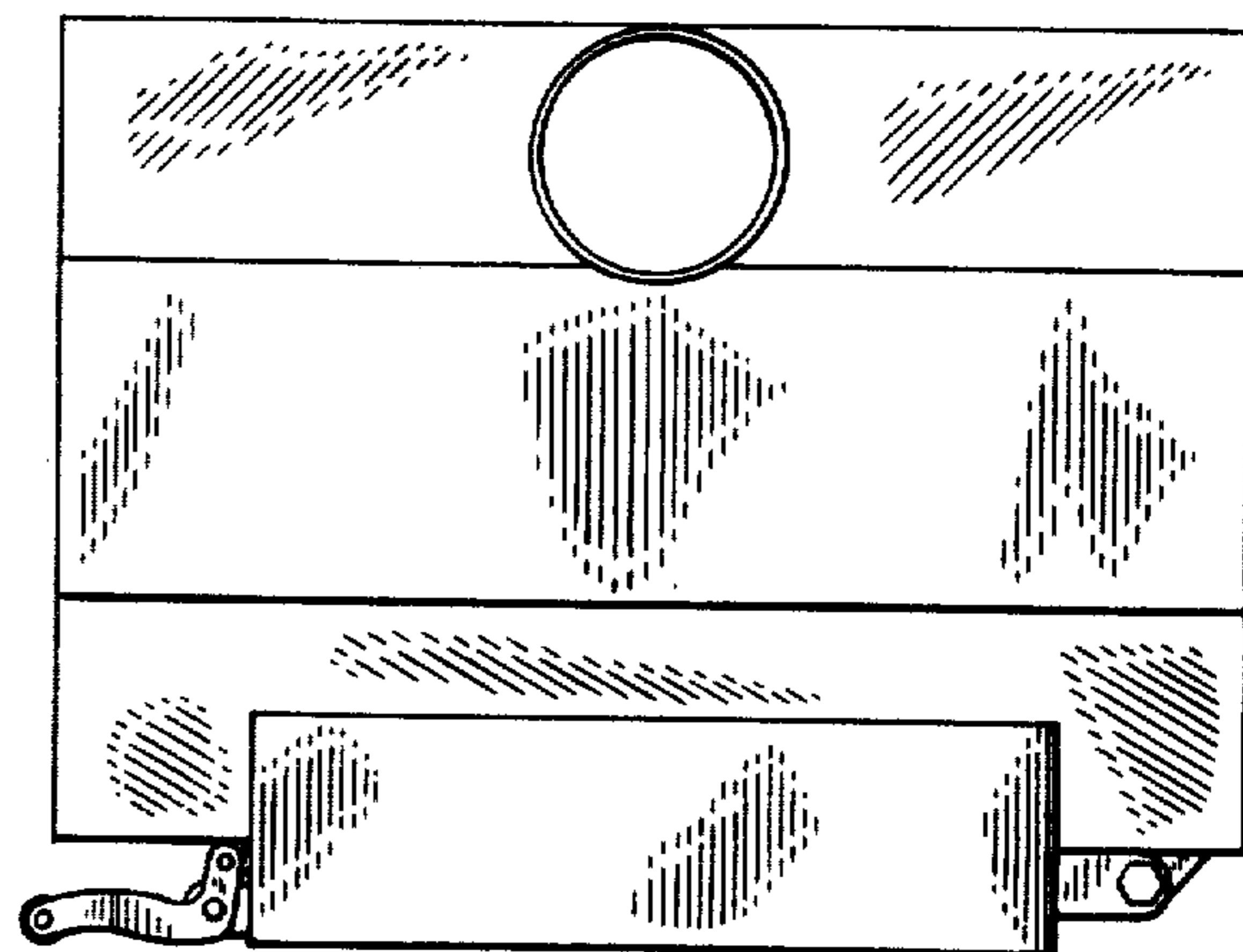


FIG. 5

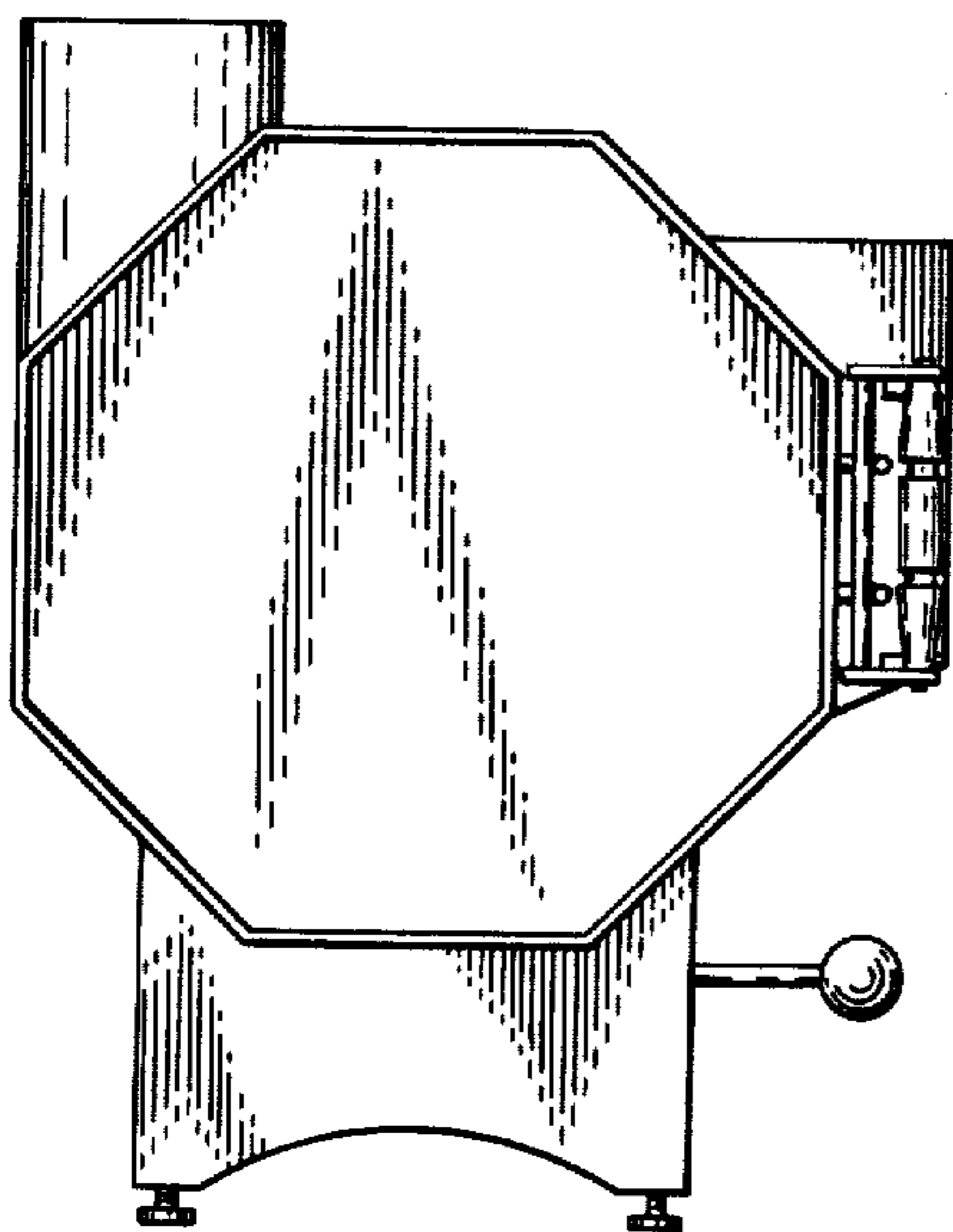


FIG. 6

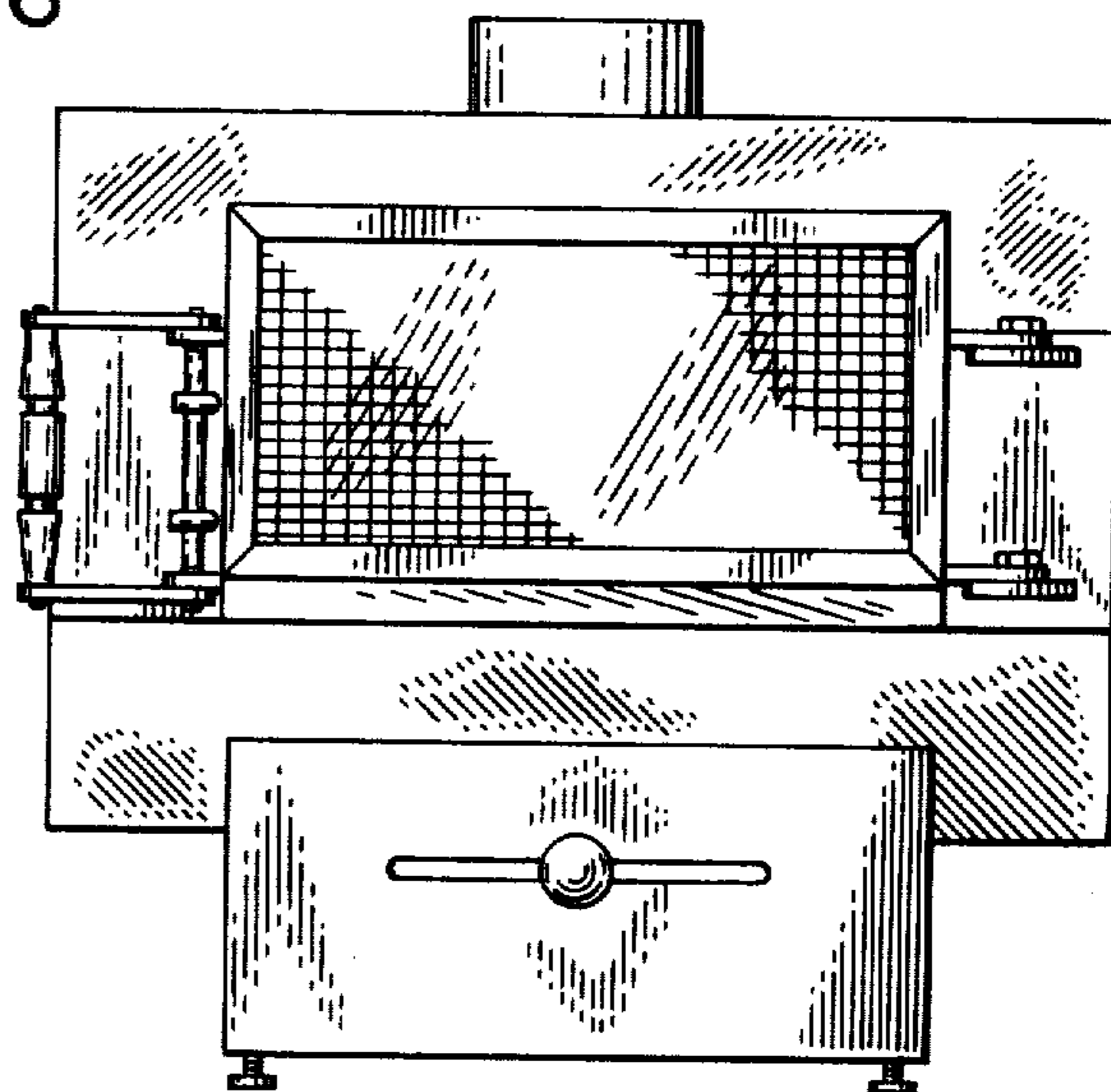


FIG. 8

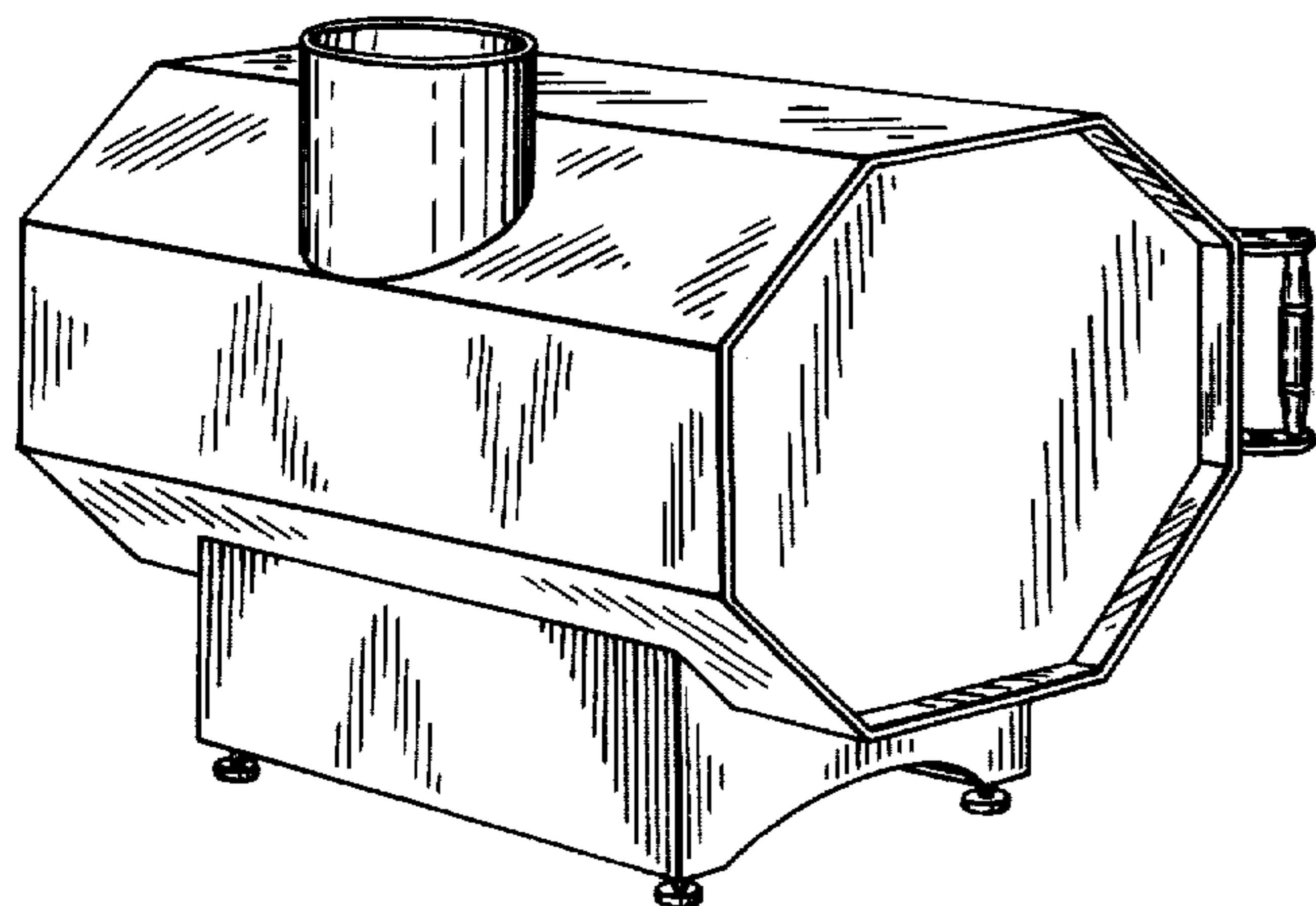


FIG. 7

