

[54] COMBINED LAVATORY SPOUT AND WATER CONTROL HANDLES

[76] Inventor: Gerd Arnolds, Hahnenfurter Str. 19, 4000 Düsseldorf, Fed. Rep. of Germany

[**] Term: 14 Years

[21] Appl. No.: 238,904

[22] Filed: Feb. 27, 1981

[30] Foreign Application Priority Data

Sep. 3, 1980 [DE] Fed. Rep. of Germany MR 5029

[51] Int. Cl. D23-01

[52] U.S. Cl. D23/25

[58] Field of Search D23/23-32; 4/191, 192; 137/801

[56] References Cited

U.S. PATENT DOCUMENTS

D. 4,323	8/1870	Thomas	D23/28 X
D. 191,295	9/1961	Chapman	D23/23
D. 224,225	7/1972	Doman	D23/28
D. 237,613	11/1975	Saporito et al.	D23/25
D. 243,607	3/1977	Mono et al.	D23/32
2,790,632	4/1957	Mellette	137/801 X
4,037,624	7/1977	Turner et al.	137/801 X

OTHER PUBLICATIONS

Industrial Design, Jun. 1954, p. 107, top left item.
Product Engineering, Nov. 11, 1963, p. 7.
Domestic Engineering, May 1979, p. 47, bottom left & center items.

Primary Examiner—James R. Largen
Attorney, Agent, or Firm—Martin A. Farber

[57] CLAIM

The ornamental design for a combined lavatory spout and water control handles, as shown and described.

DESCRIPTION

FIG. 1 is a perspective view of a combined lavatory spout and water control handles showing my new design;
FIG. 2 is a top plan view of the spout thereof;
FIG. 3 is a bottom plan view of FIG. 2;
FIG. 4 is a front elevational view of FIG. 2;
FIG. 5 is a rear elevational view of FIG. 2;
FIG. 6 is a left side elevational view of FIG. 2, the right side being a mirror image of the left side shown;
FIG. 7 is a top plan view of one handle thereof;
FIG. 8 is a bottom plan view of FIG. 7; and
FIG. 9 is a side elevational view of FIG. 7, the other three sides being the same as the side shown.
The fragmentary broken line showing of a lavatory in FIG. 1 is for purposes of illustration only.

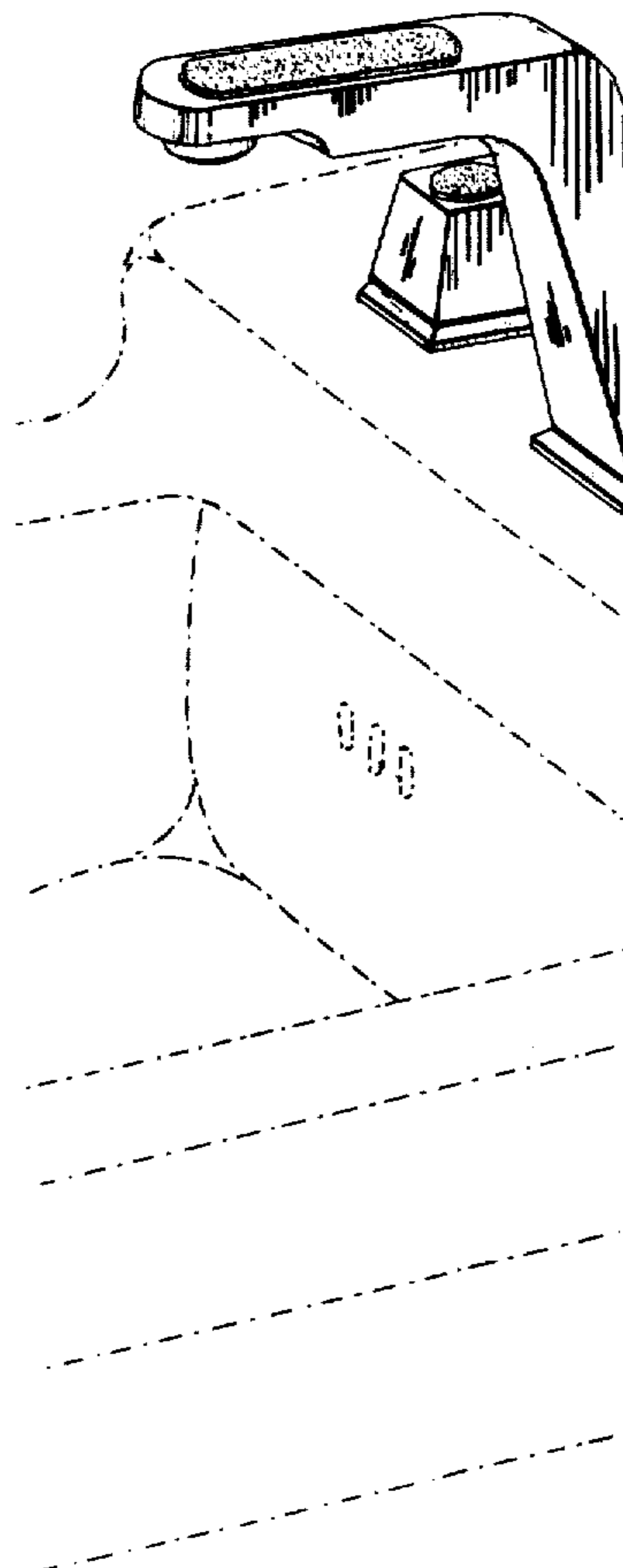


FIG. 1.

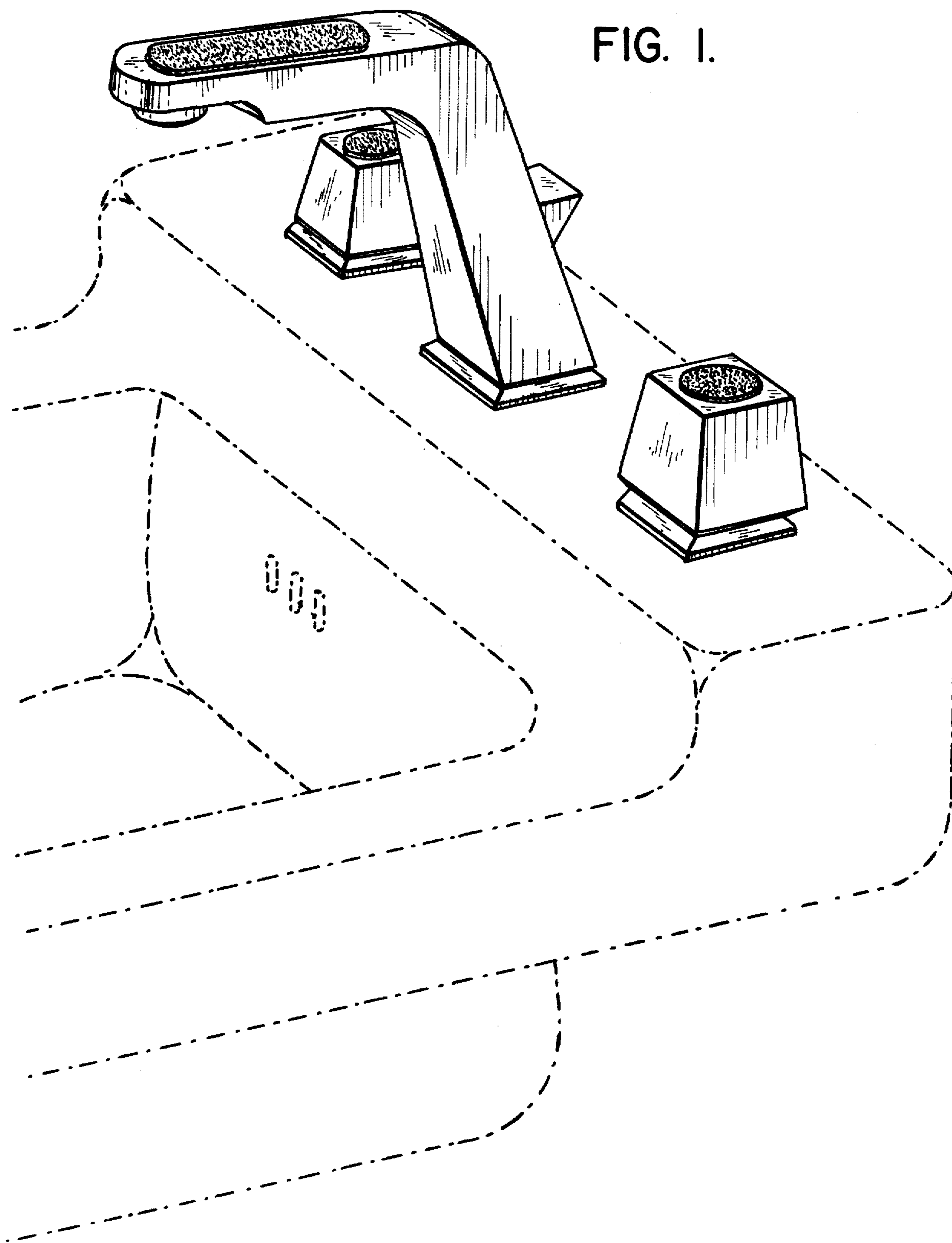


FIG. 2.

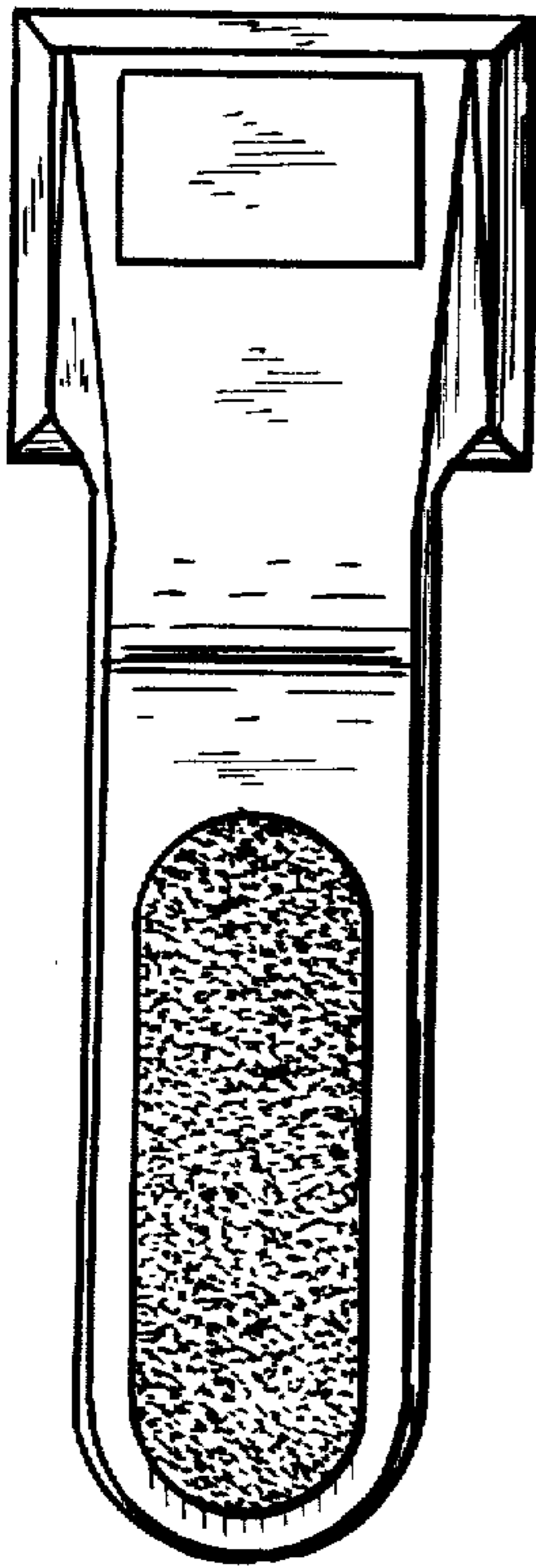


FIG. 3.

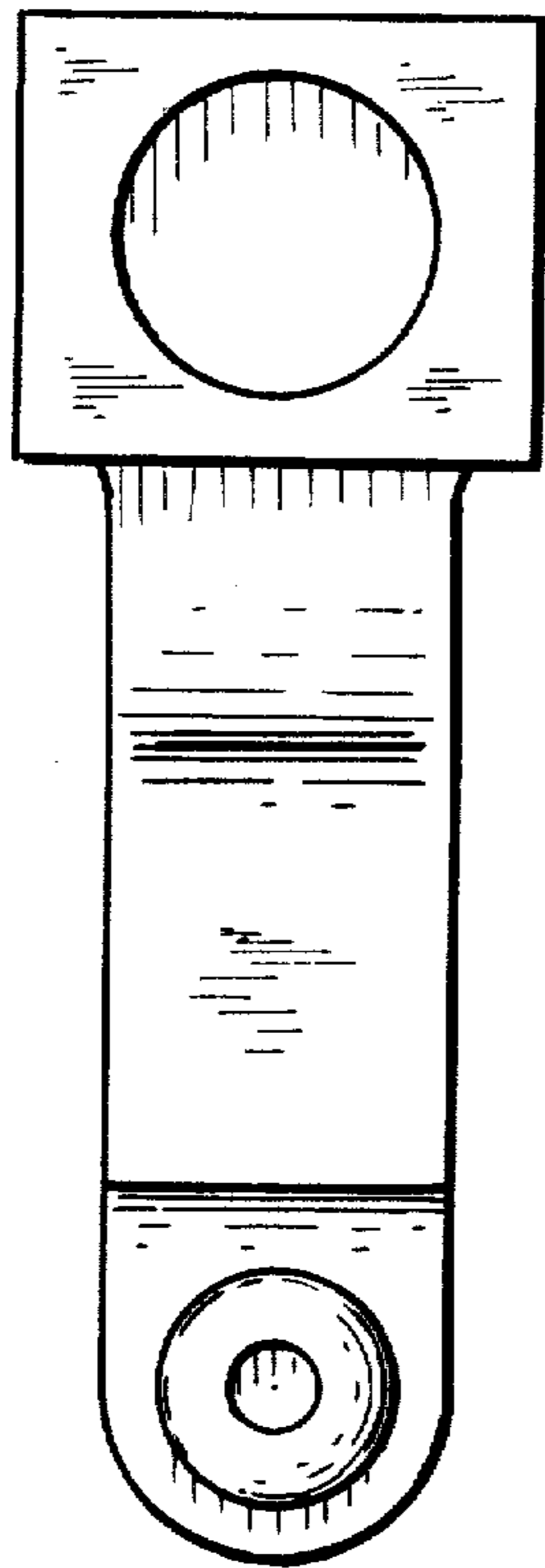


FIG. 4.

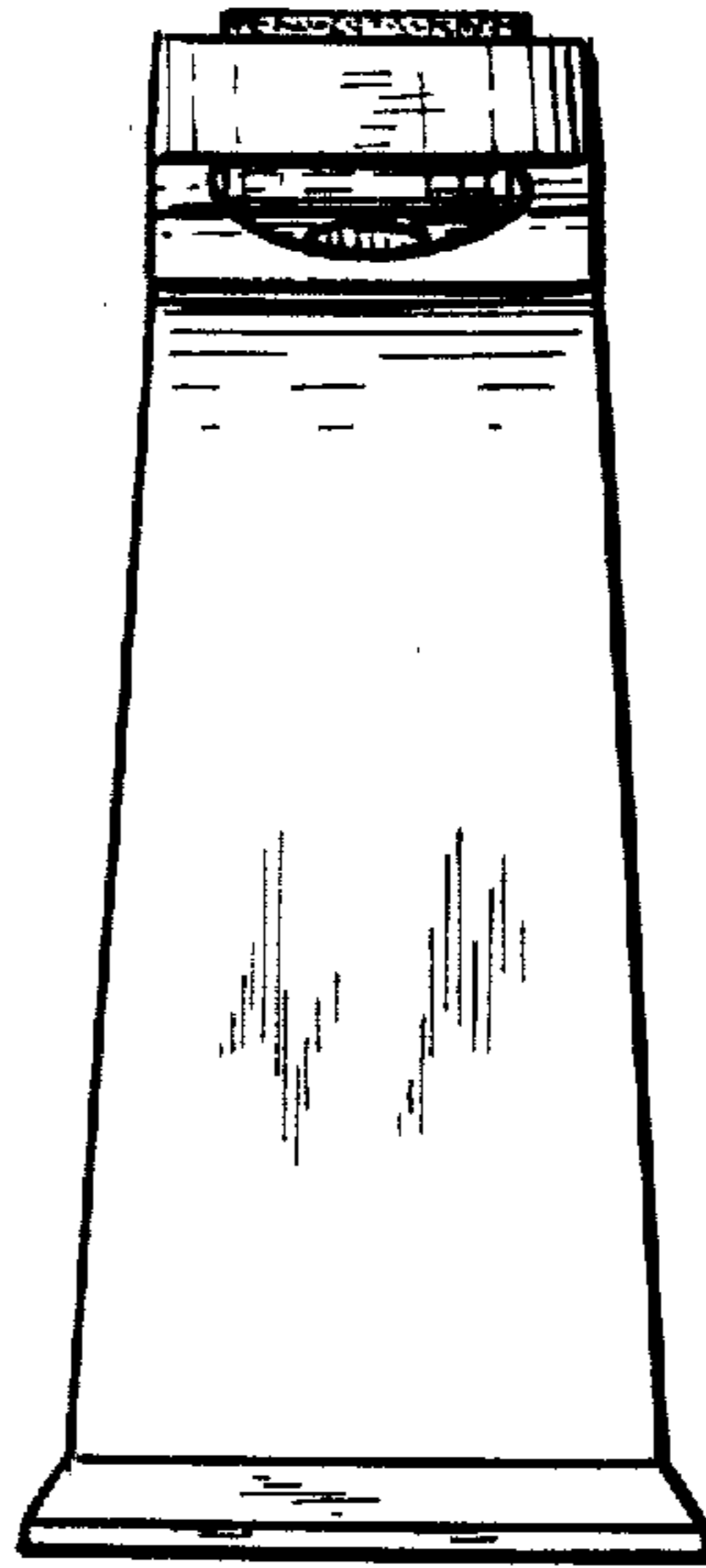


FIG. 5.

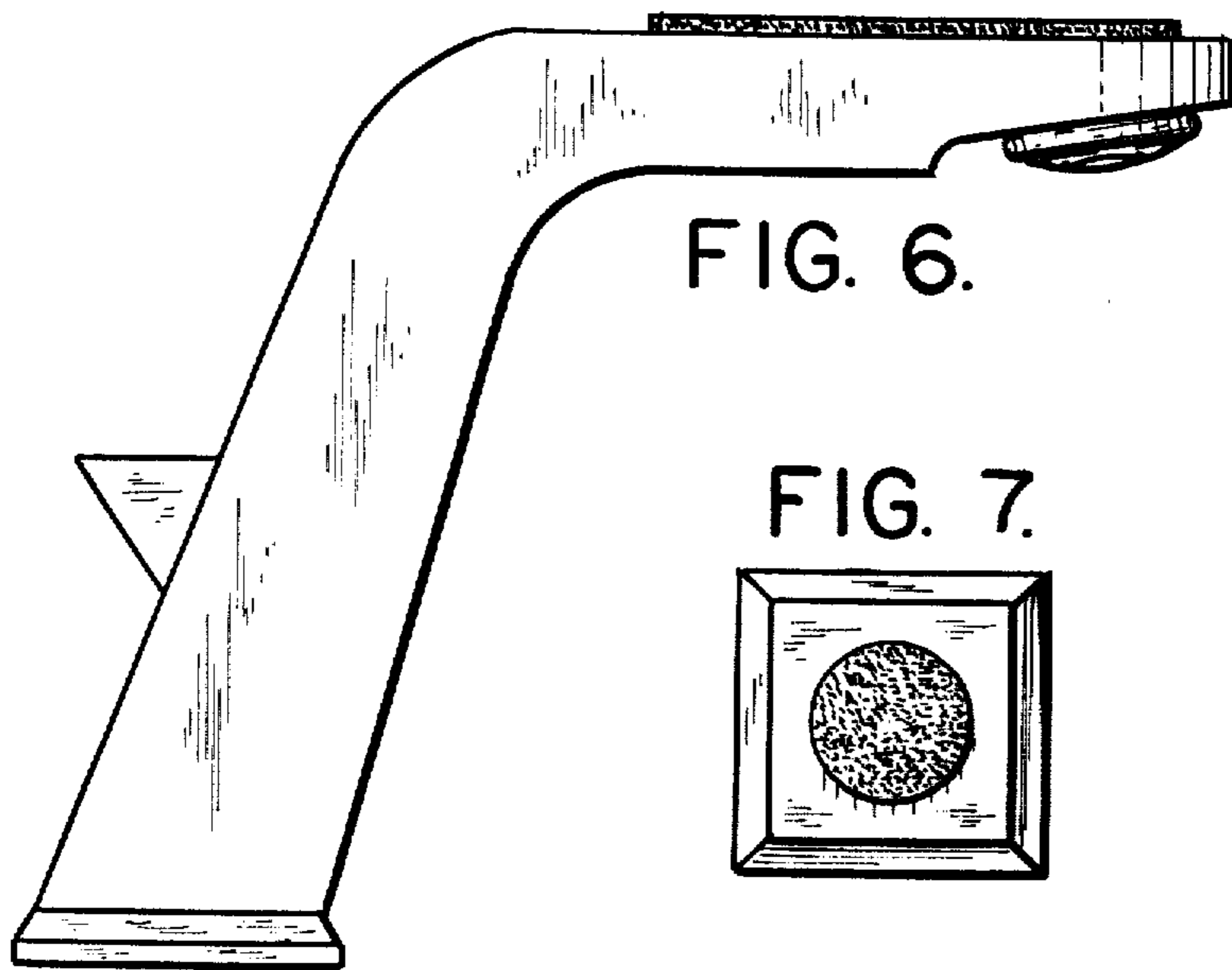
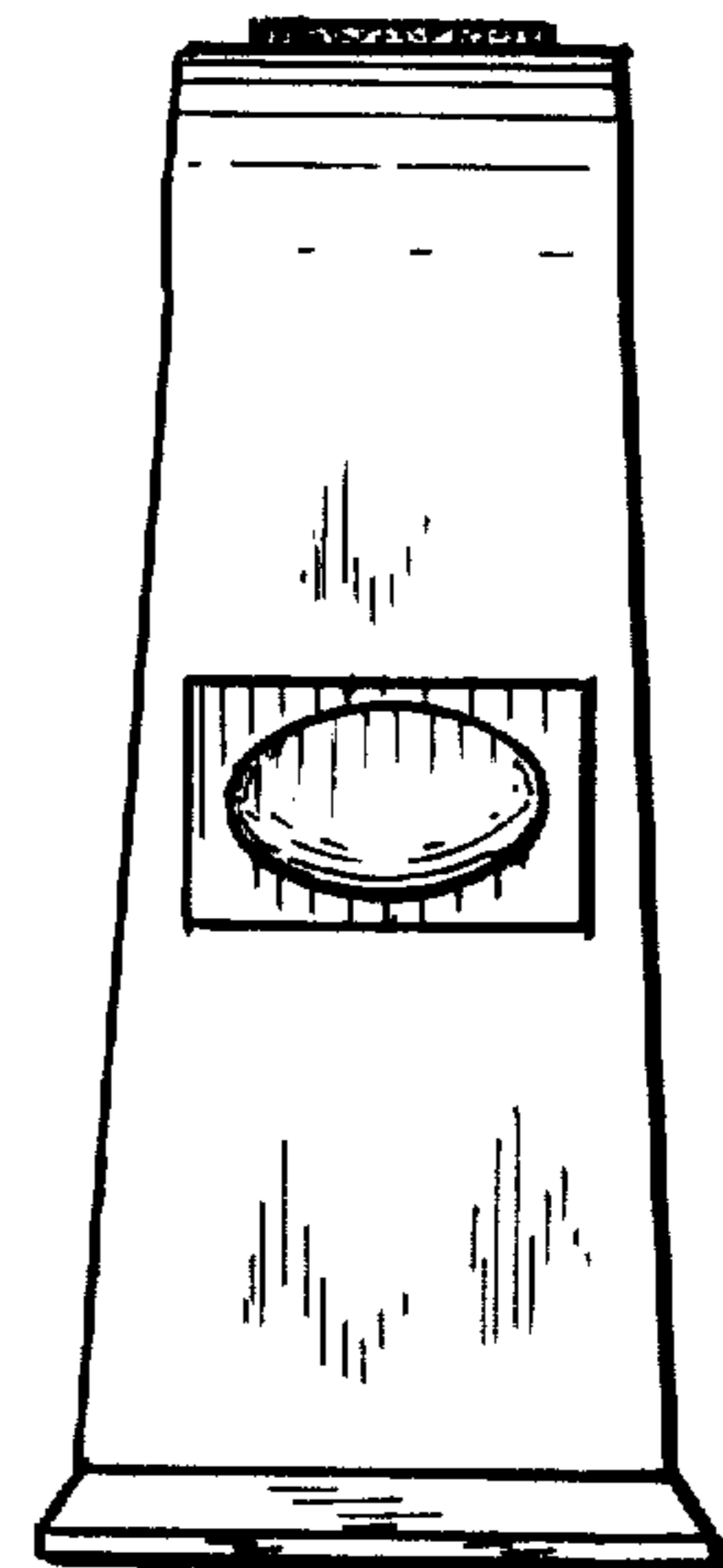


FIG. 6.

FIG. 7.

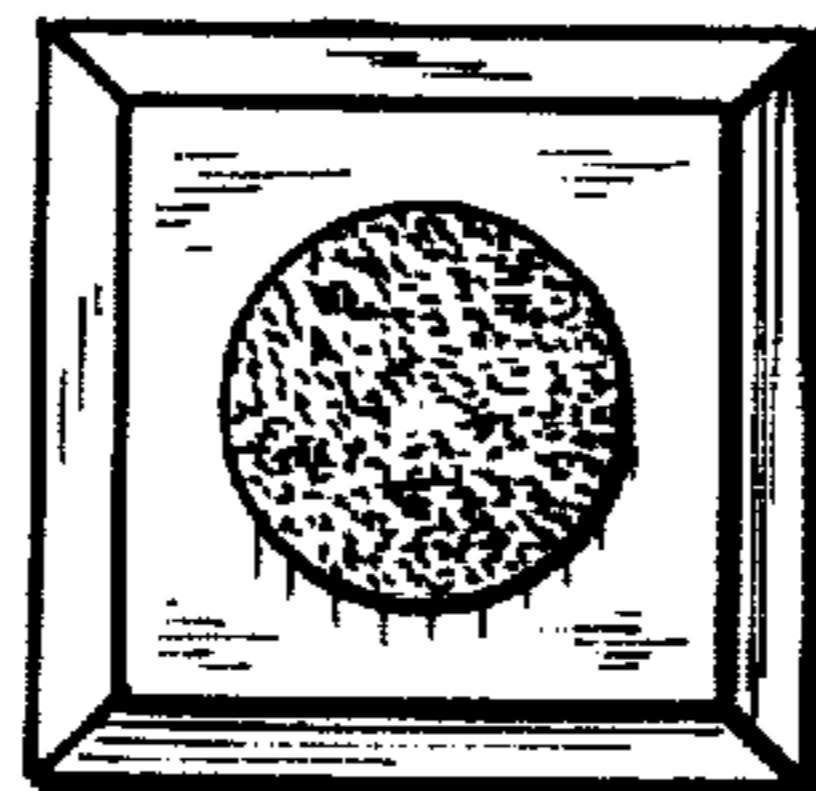


FIG. 8.

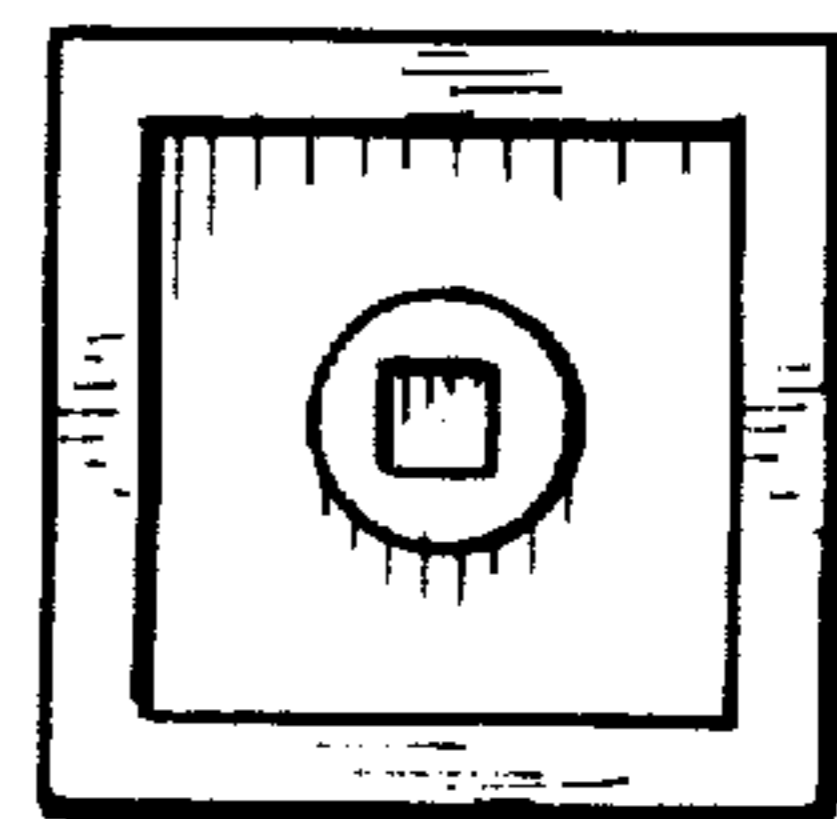


FIG. 9.

