

[54] COMBINED LAVATORY SPOUT AND WATER CONTROL HANDLES

[76] Inventor: Gerd Arnolds, Hahnenfurter Str. 19, 4000 Düsseldorf, Fed. Rep. of Germany

[**] Term: 14 Years

[21] Appl. No.: 238,903

[22] Filed: Feb. 27, 1981

[30] Foreign Application Priority Data

Sep. 3, 1980 [DE] Fed. Rep. of Germany MR 5028

[51] Int. Cl. D23-01

[52] U.S. Cl. D23/25

[58] Field of Search D23/23-32; 4/191, 192; 137/801

[56] References Cited

U.S. PATENT DOCUMENTS

- D. 4,323 8/1970 Thomas D23/28 X
- D. 191,295 9/1961 Chapman D23/23
- D. 224,225 7/1972 Doman D23/28
- D. 237,613 11/1975 Saporito et al. D23/25
- D. 243,607 3/1977 Mono et al. D23/32
- 2,790,632 4/1957 Mellette 137/801 X
- 4,037,624 7/1977 Turner et al. 137/801 X

OTHER PUBLICATIONS

Industrial Design, Jun. 1954, p. 107, top left item.
Product Engineering, Nov. 11, 1963, p. 7.
Domestic Engineering, May 1979, p. 47, bottom left and center items.

Primary Examiner—James R. Largen
Attorney, Agent, or Firm—Martin A. Farber

[57] CLAIM

The ornamental design for a combined lavatory spout and water control handles, as shown and described.

DESCRIPTION

FIG. 1 is a perspective view of a combined lavatory spout and water control handles showing my new design;
FIG. 2 is a top plan view of the spout thereof;
FIG. 3 is a bottom plan view of FIG. 2;
FIG. 4 is a front elevational view of FIG. 2;
FIG. 5 is a rear elevational view of FIG. 2;
FIG. 6 is a left side elevational view of FIG. 2, the right side being a mirror image of the left side shown;
FIG. 7 is a top plan view of one handle thereof;
FIG. 8 is a bottom plan view of FIG. 7;
FIG. 9 is a front elevational view of FIG. 7, the rear being a mirror image of the front shown; and
FIG. 10 is a left side elevational view of FIG. 7, the right side being the same as the left side shown.
The fragmentary broken line representation of a lavatory in FIG. 1 is for purposes of illustration only.

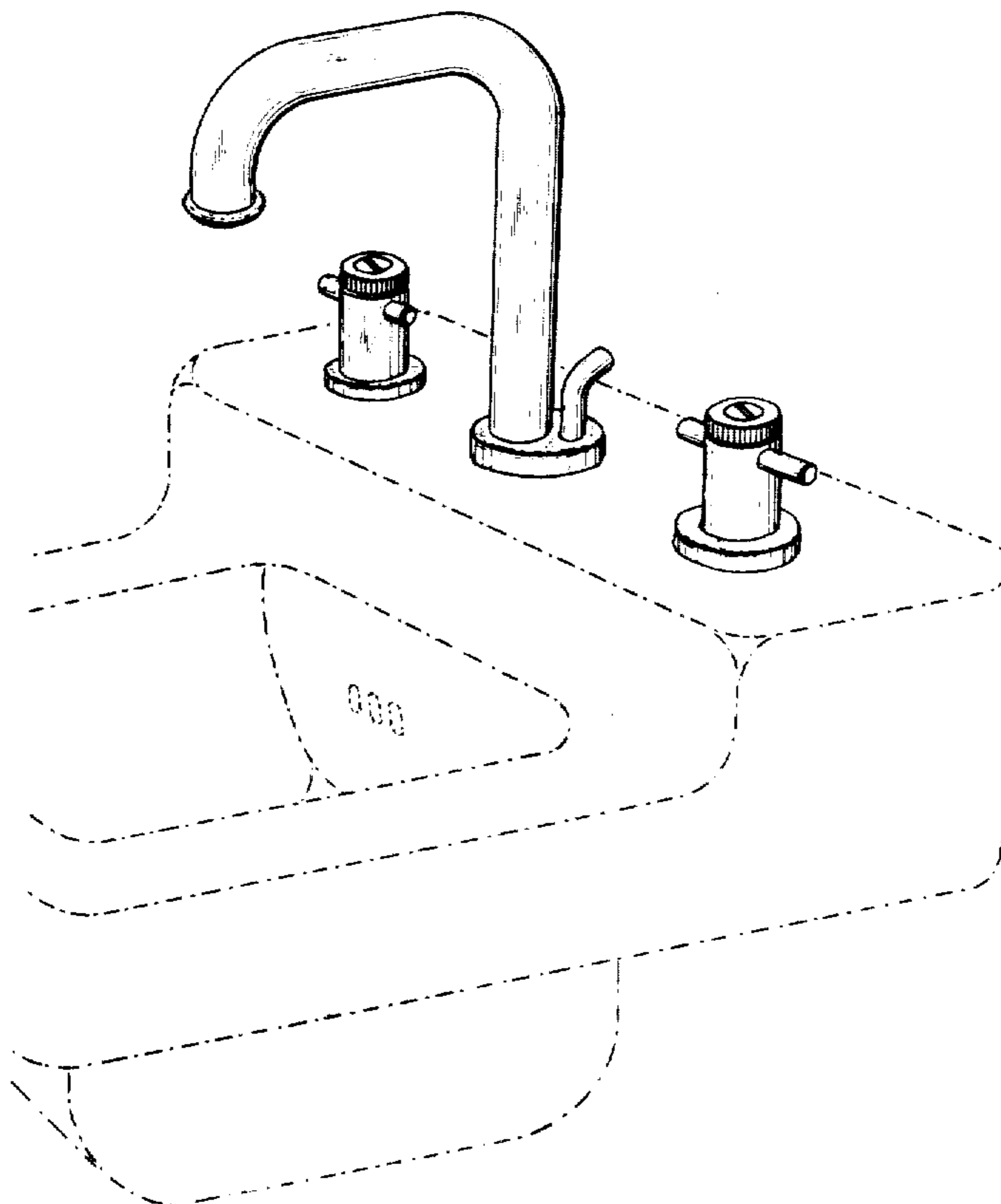


FIG. I.

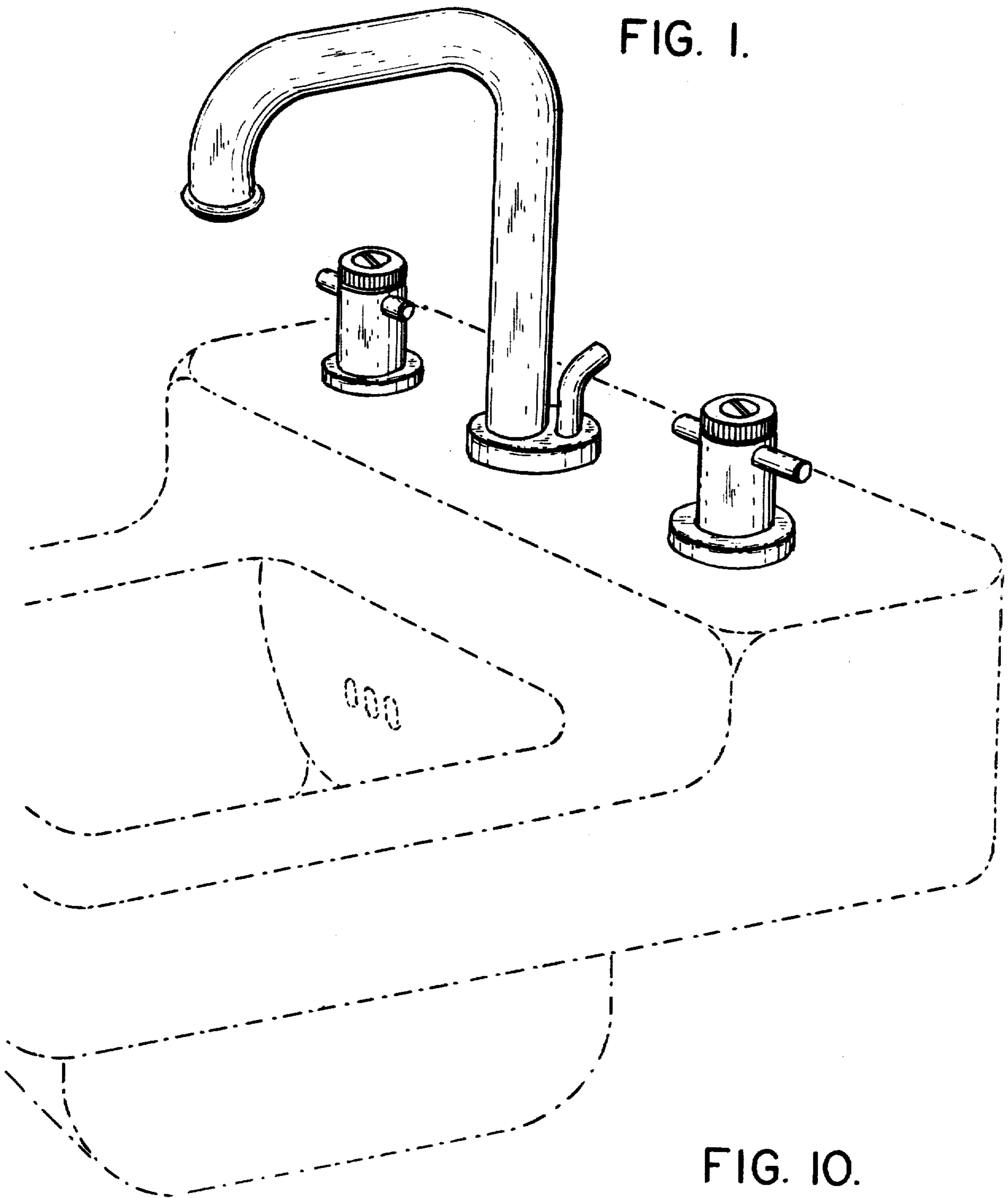


FIG. 10.

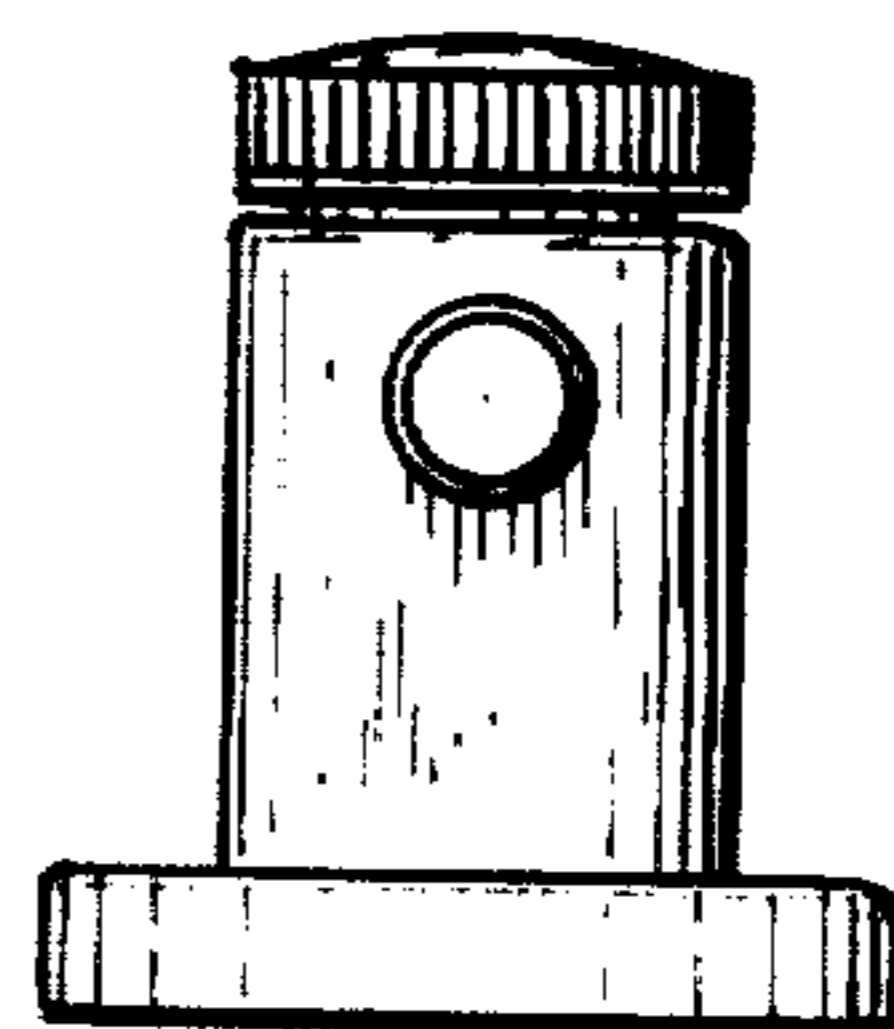


FIG. 2.

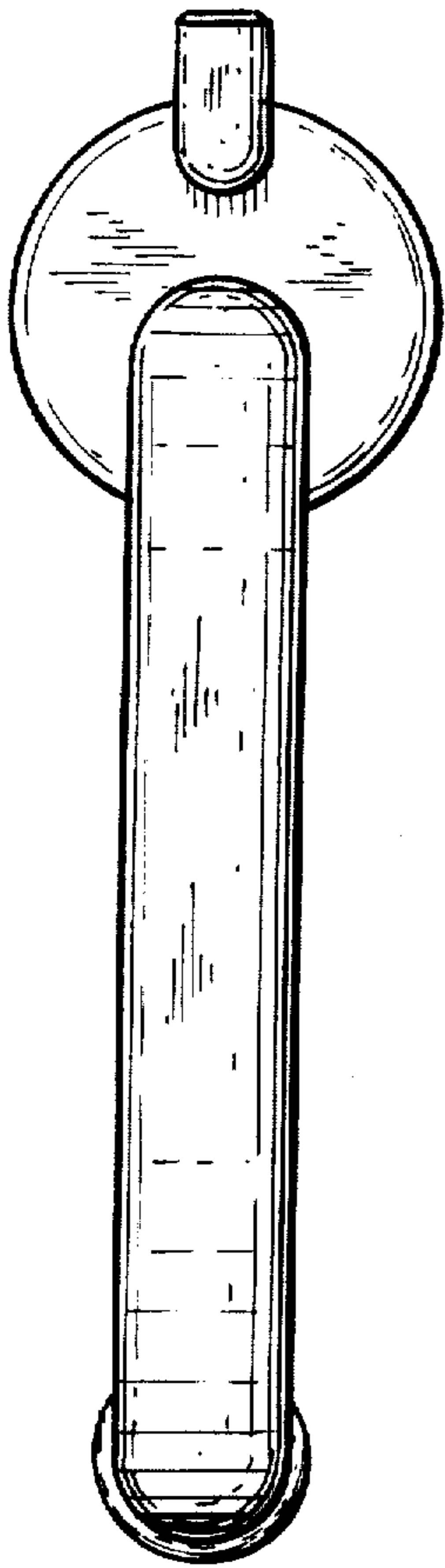


FIG. 3.

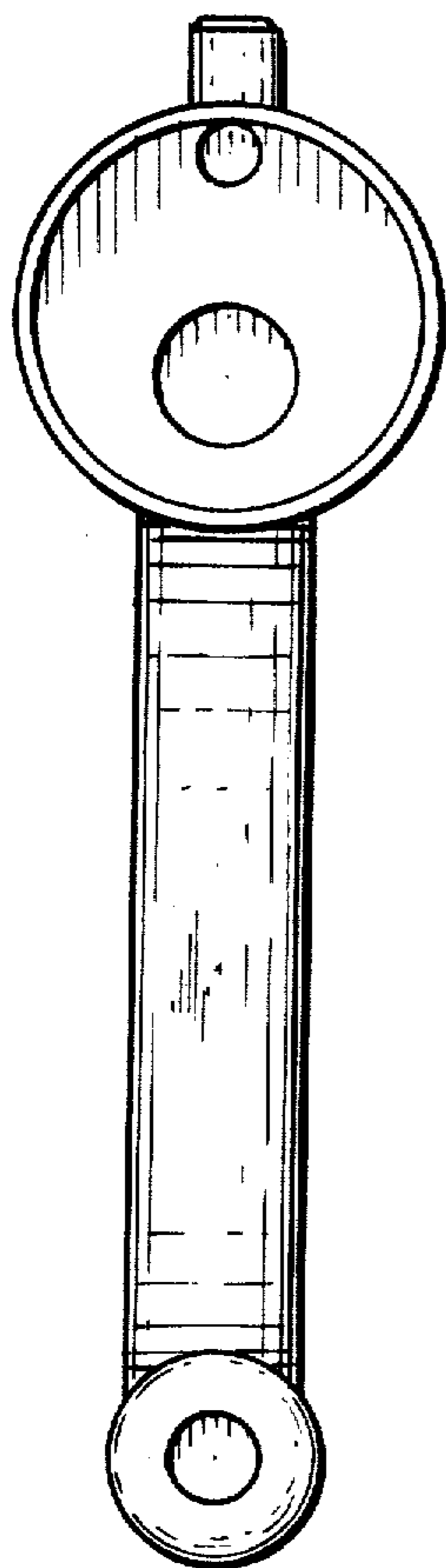


FIG. 4.

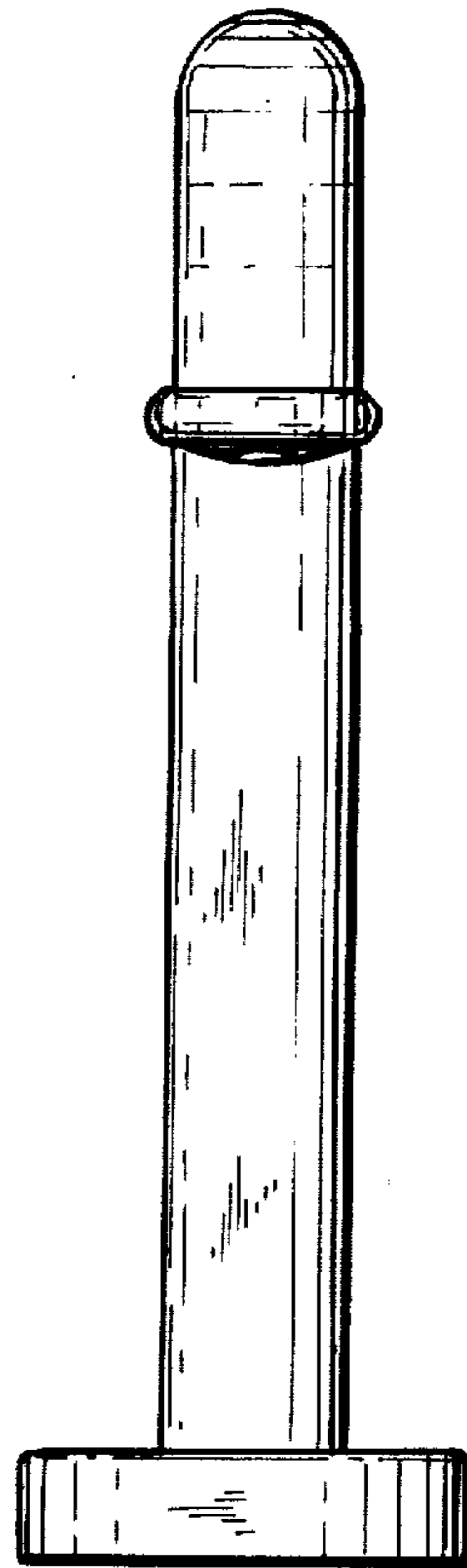


FIG. 5.

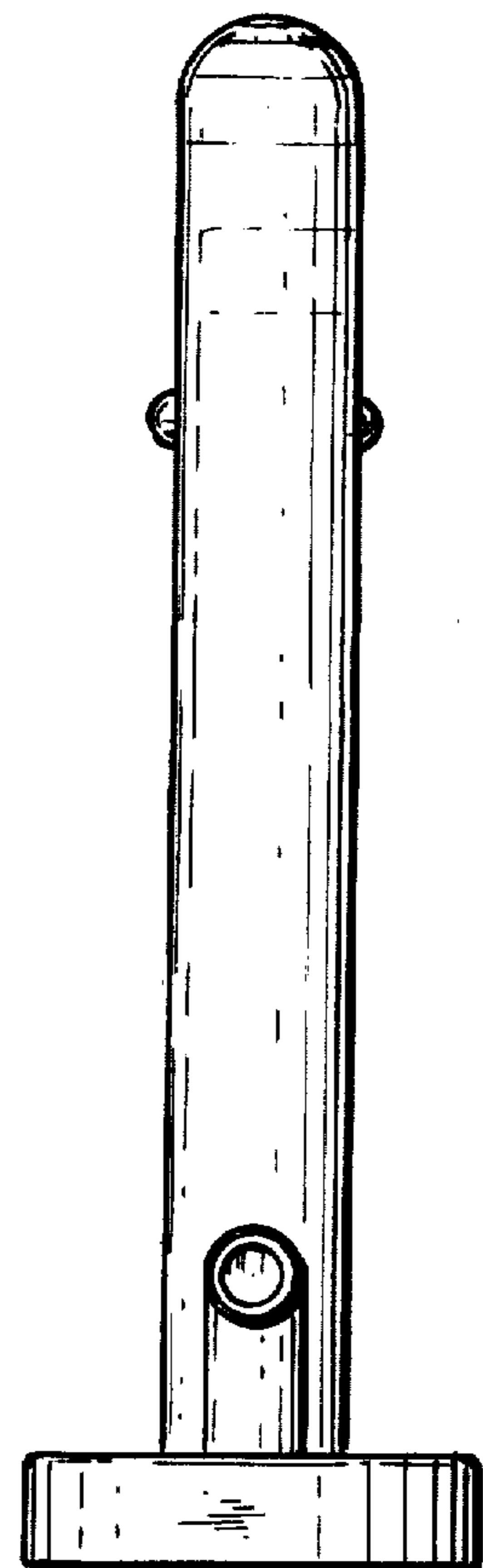


FIG. 7.

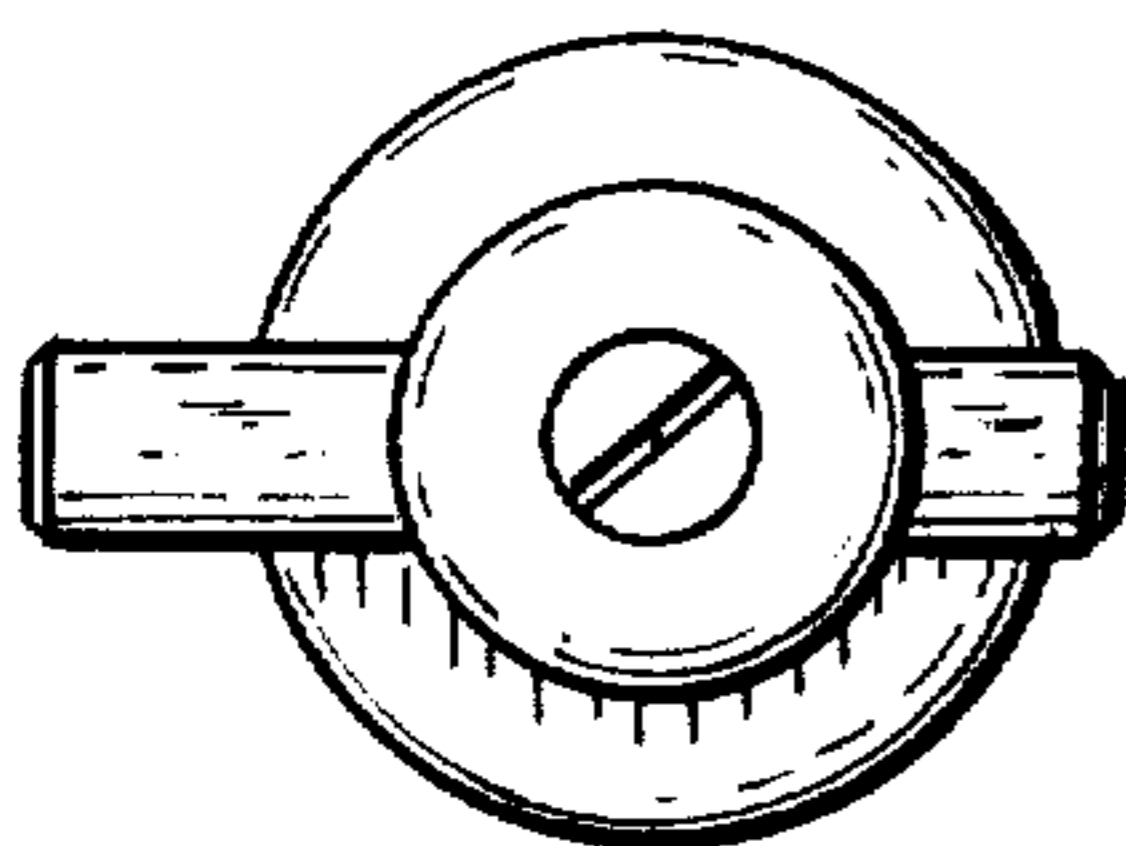


FIG. 8.

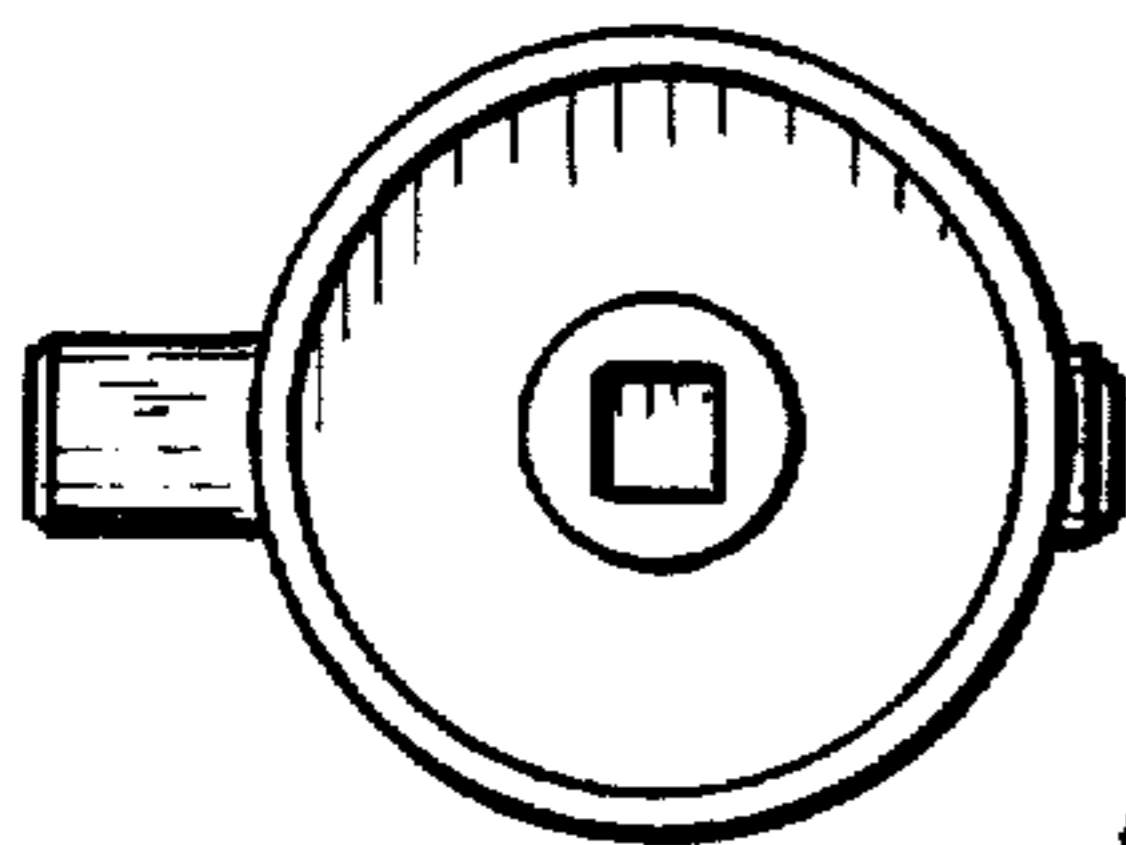


FIG. 6.

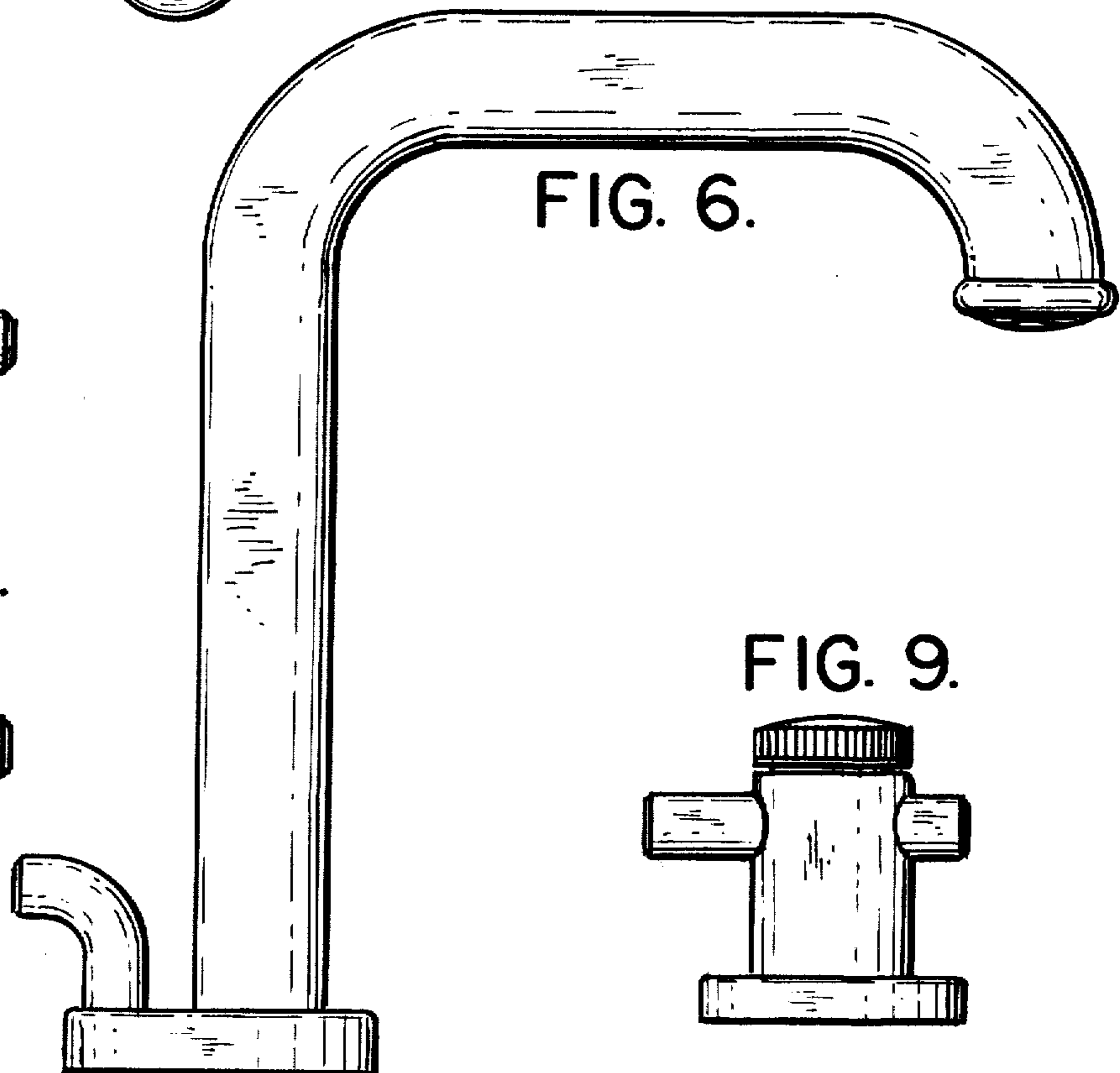


FIG. 9.

