

[54] FAUCET

[75] Inventor: Wolfgang Fabian, Mannheim, Fed. Rep. of Germany

[73] Assignee: American Standard Inc., New York, N.Y.

[**] Term: 14 Years

[21] Appl. No.: 92,874

[22] Filed: Nov. 9, 1979

[30] Foreign Application Priority Data

Jun. 13, 1979 [DE] Fed. Rep. of Germany 79/3

[51] Int. Cl. D23-01

[52] U.S. Cl. D23/25

[58] Field of Search D23/23-27, D23/32; 4/191, 192; 137/606, 801

[56] References Cited

U.S. PATENT DOCUMENTS

- D. 193,604 9/1962 Zeigler D23/23
- D. 200,042 1/1965 Mackay et al. D23/25
- D. 253,607 12/1979 Haug D23/23

- 3,427,049 2/1969 Politz 4/122 X
- 4,141,383 2/1979 Geimer 137/606

OTHER PUBLICATIONS

House & Home, Dec. 1959, p. 210, "Colony Lavatory Fittings" item.

Primary Examiner—James R. Largen

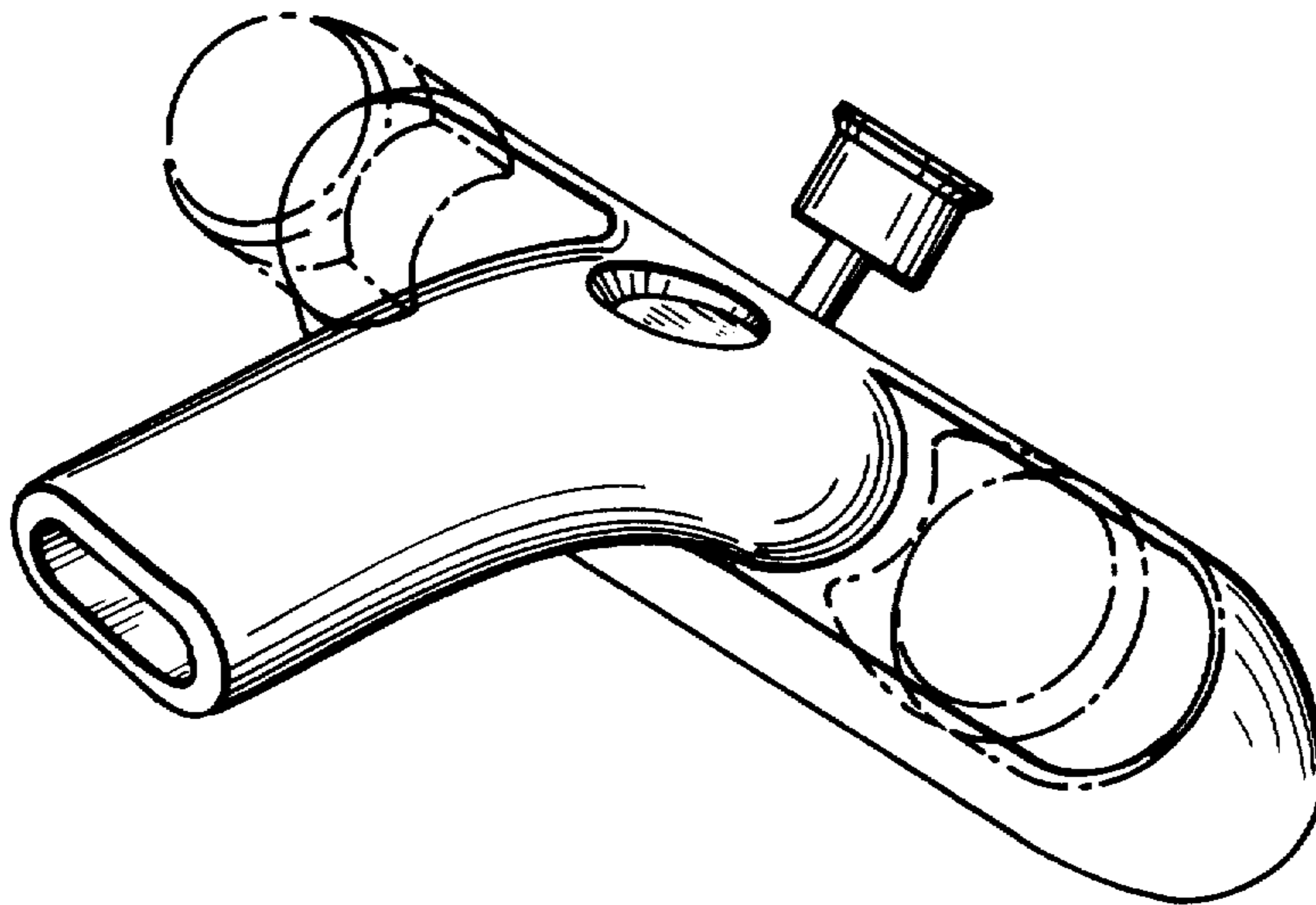
Attorney, Agent, or Firm—James J. Salerno, Jr.; Robert G. Crooks; John P. Sinnott

[57] CLAIM

The ornamental design for a faucet, substantially as shown and described.

DESCRIPTION

FIG. 1 is a perspective view taken from the top, front and right side of a faucet showing my new design; FIG. 2 is a left side elevational view thereof; FIG. 3 is a front elevational view thereof; FIG. 4 is a top plan view thereof; FIG. 5 is a bottom plan view thereof; and FIG. 6 is a rear elevational view thereof. The broken line representation of faucet control handles in FIGS. 1 through 6 is for purposes of illustration only.



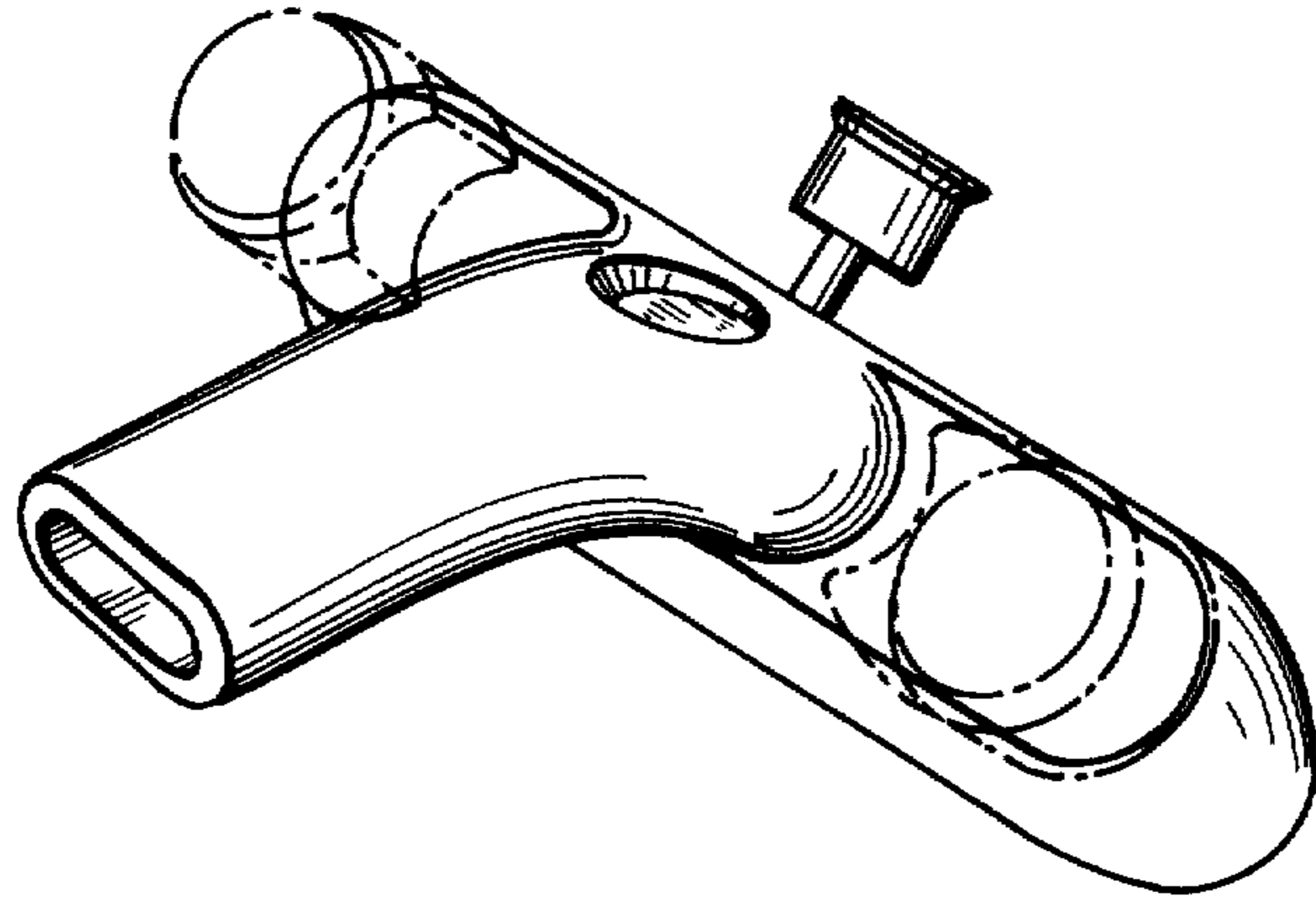


FIG. 1

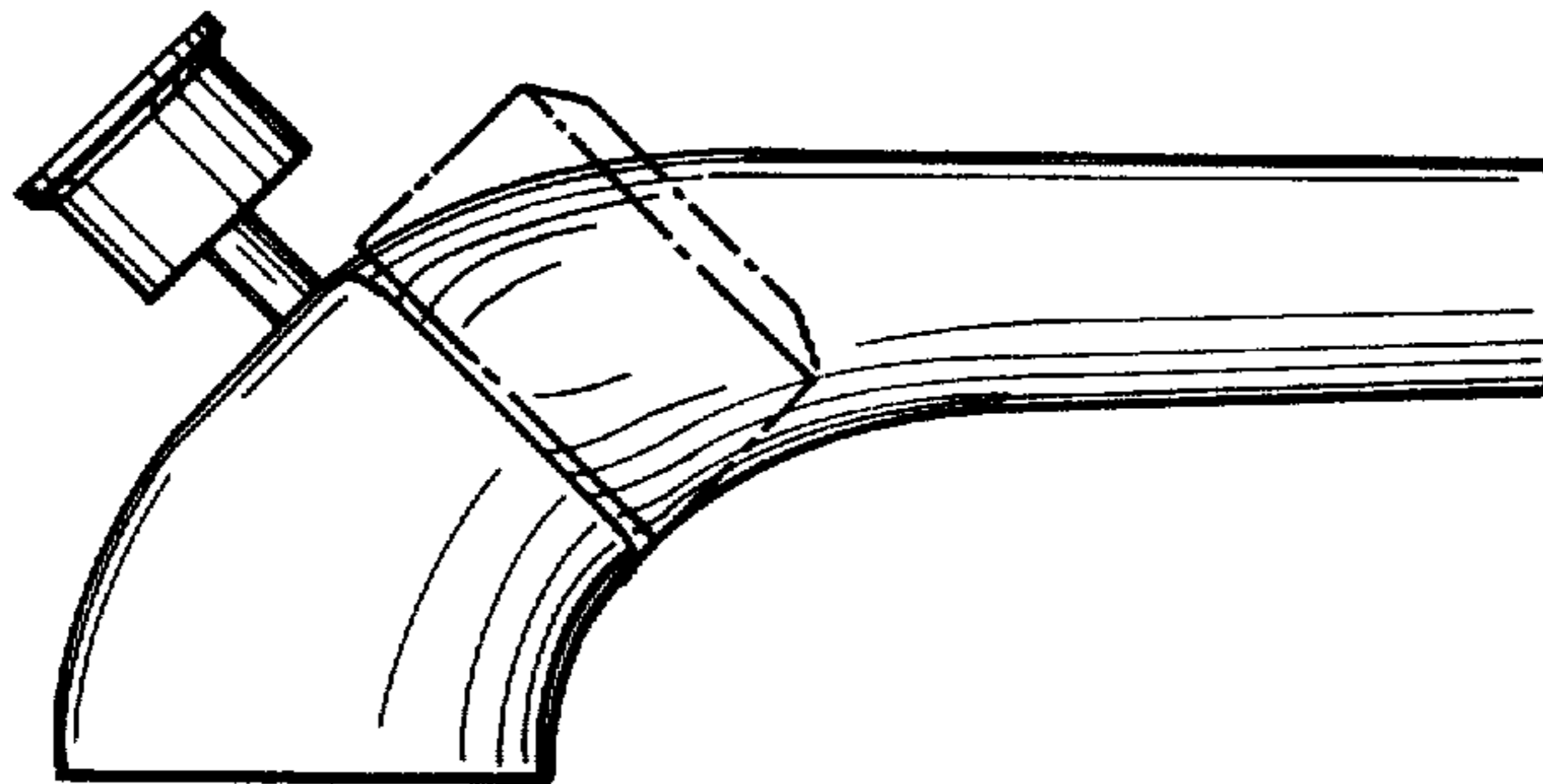


FIG. 2

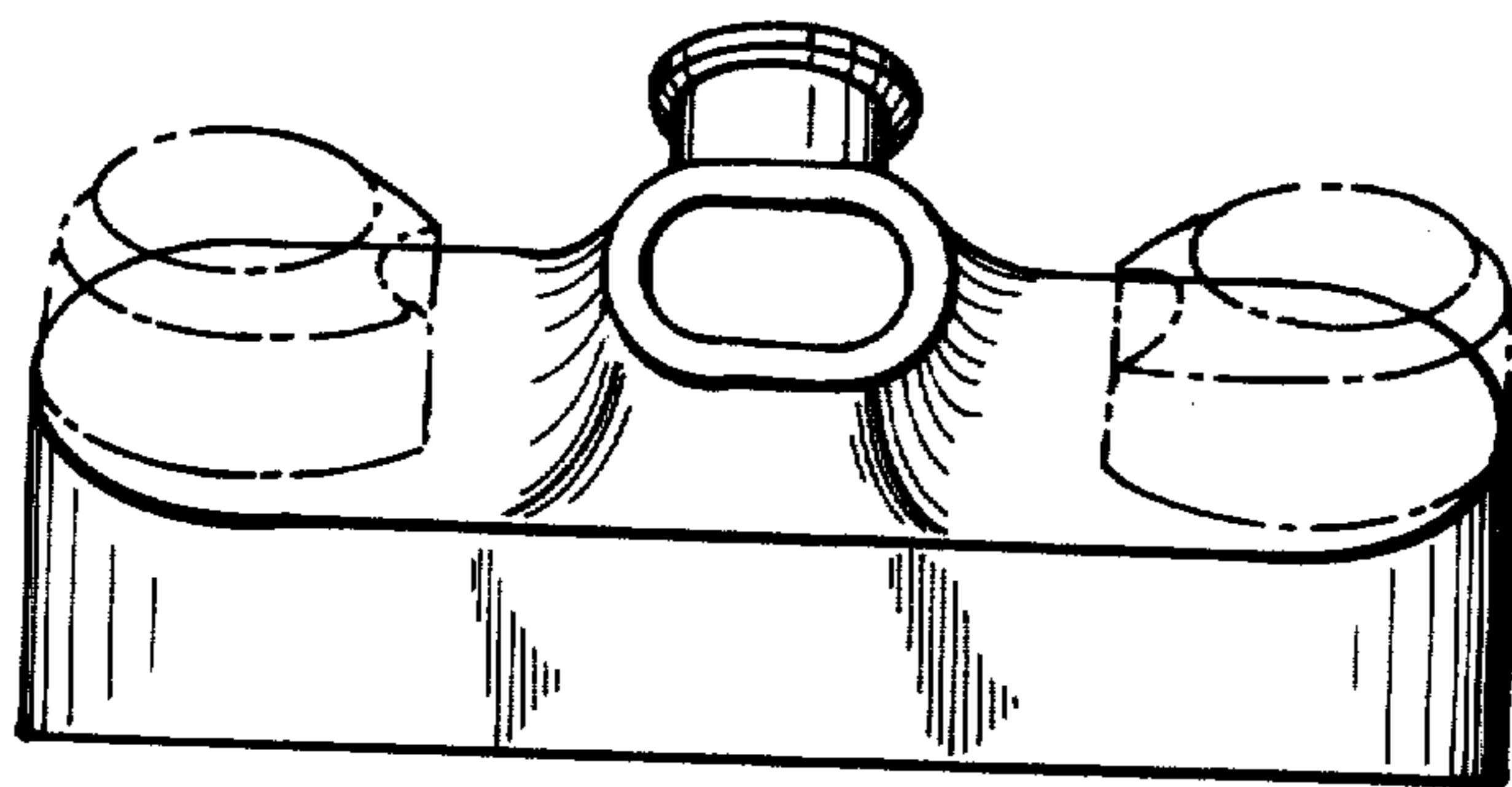


FIG. 3

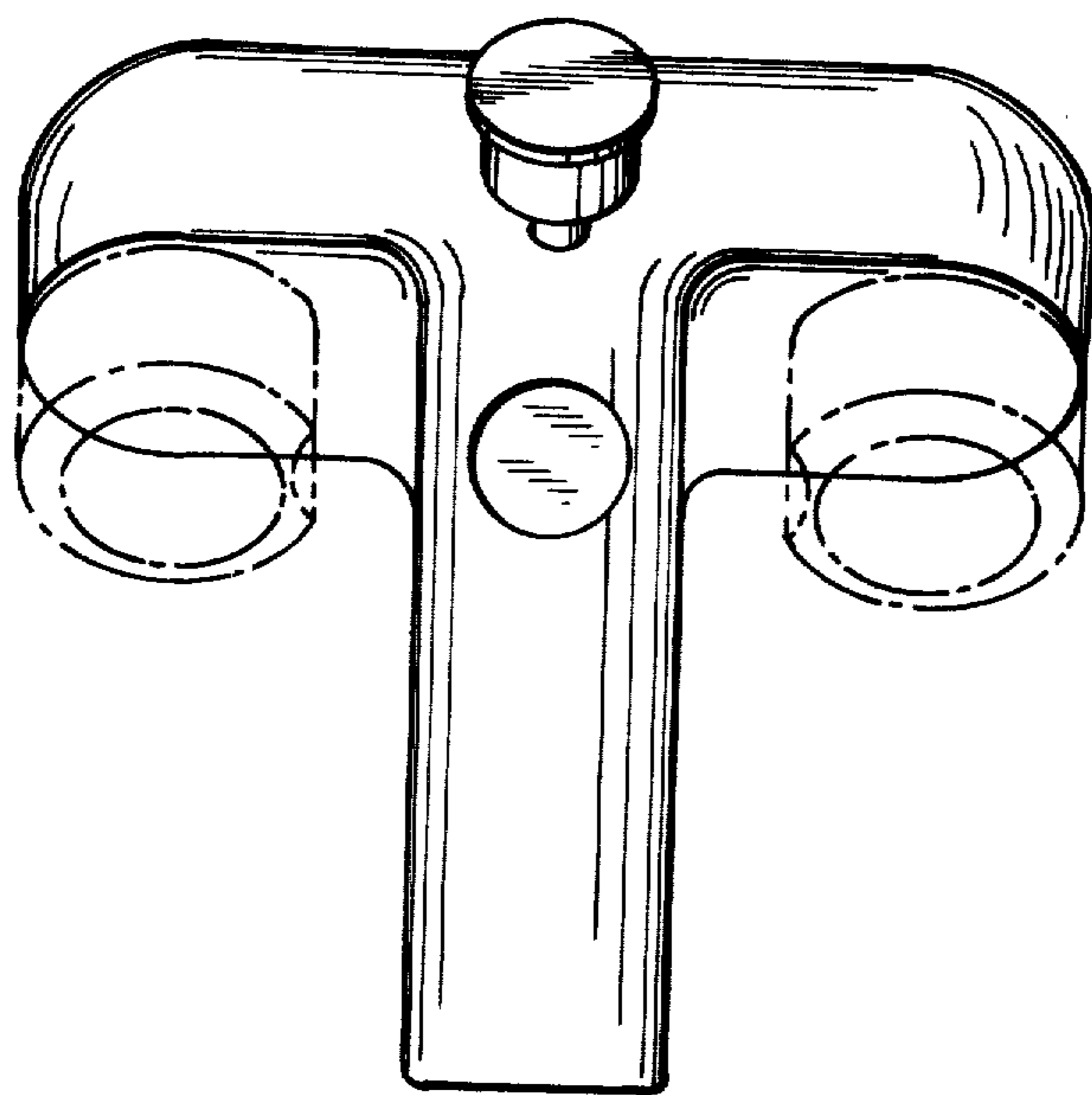


FIG. 4

FIG. 5

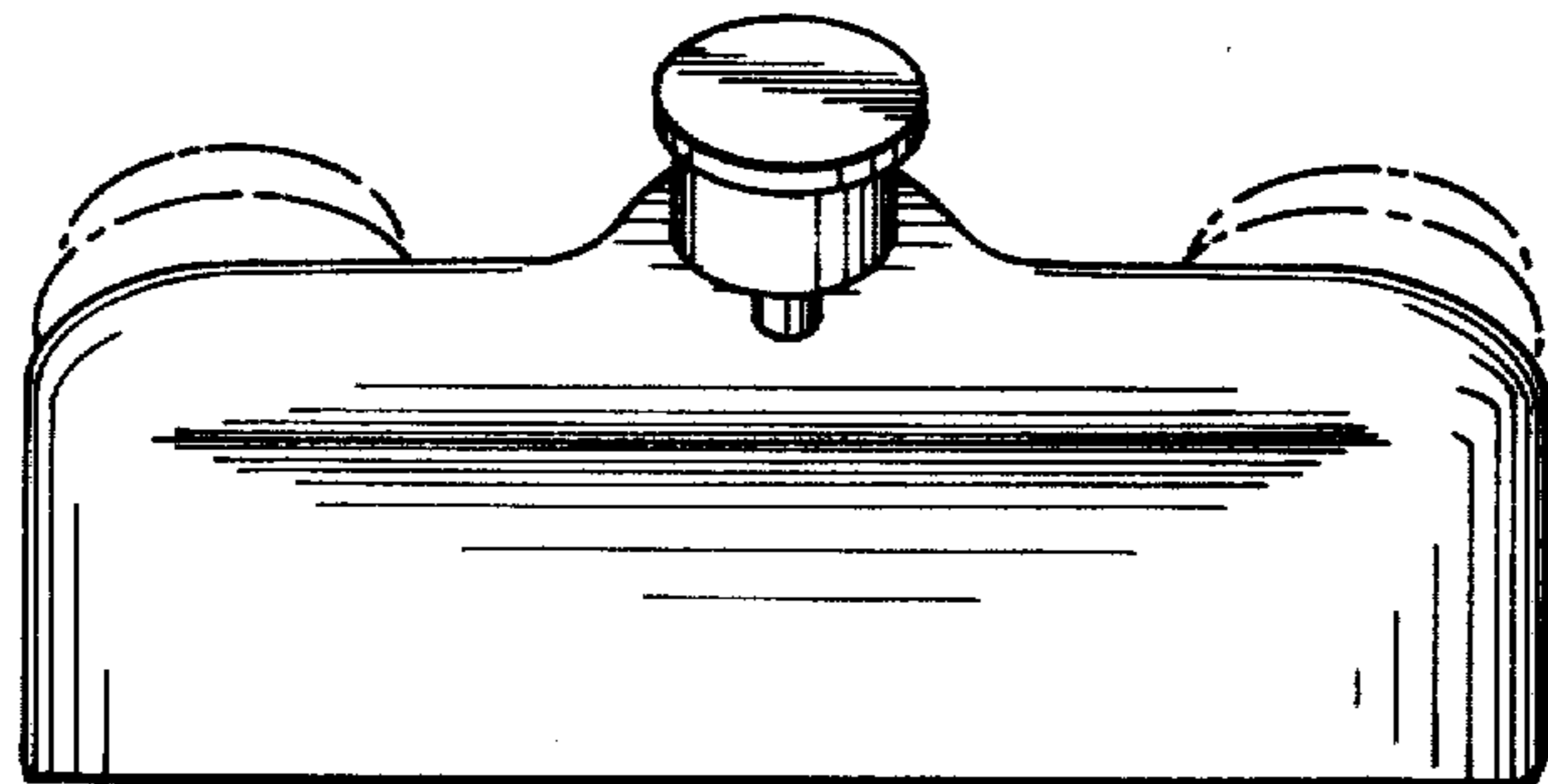
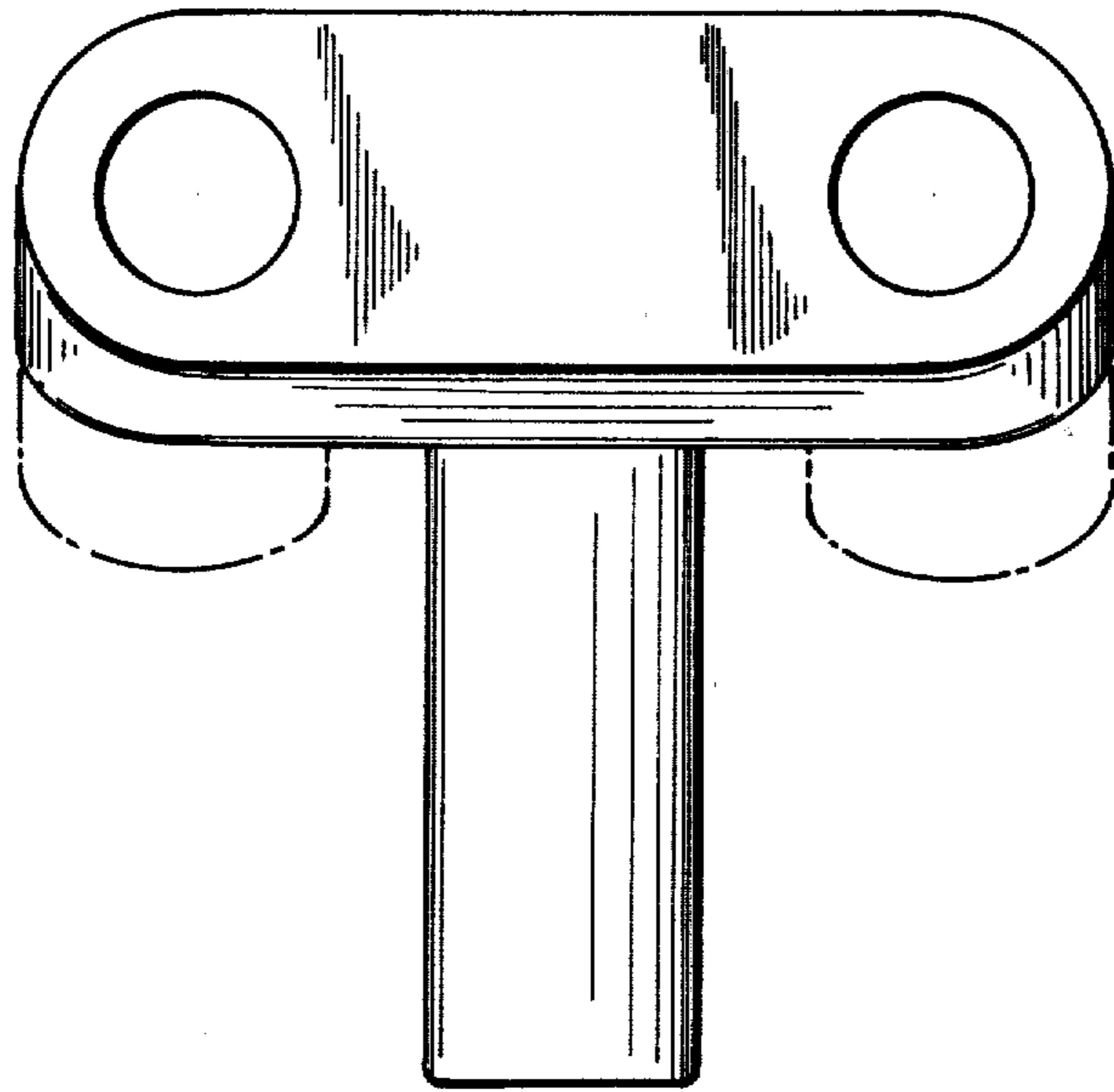


FIG. 6