

[54] COMBINED AIRPLANE AND PARACHUTE TOY

2,292,416 8/1942 Walker D21/90
3,999,328 12/1976 Schroeder 46/78

[75] Inventor: Alan M. Steinberg, Rockland, N.Y.

[73] Assignee: Gordy International, Inc., New York, N.Y.

[**] Term: 14 Years

[21] Appl. No.: 222,914

[22] Filed: Jan. 5, 1981

[51] Int. Cl. D21-01

[52] U.S. Cl. D21/87

[58] Field of Search D21/82, 87, 90;
46/76 R, 77, 78

[56] References Cited

U.S. PATENT DOCUMENTS

D. 186,079 9/1959 Hoffman D21/90

OTHER PUBLICATIONS

Popular Mechanics, 1960, pp. 132-134, Toy Airplane.

Primary Examiner—Charles A. Rademaker

Attorney, Agent, or Firm—Steinberg & Raskin

[57] CLAIM

The ornamental design for a combined airplane and parachute toy, as shown and described.

DESCRIPTION

FIG. 1 is a top plan view of a combined airplane and parachute toy showing my new design;

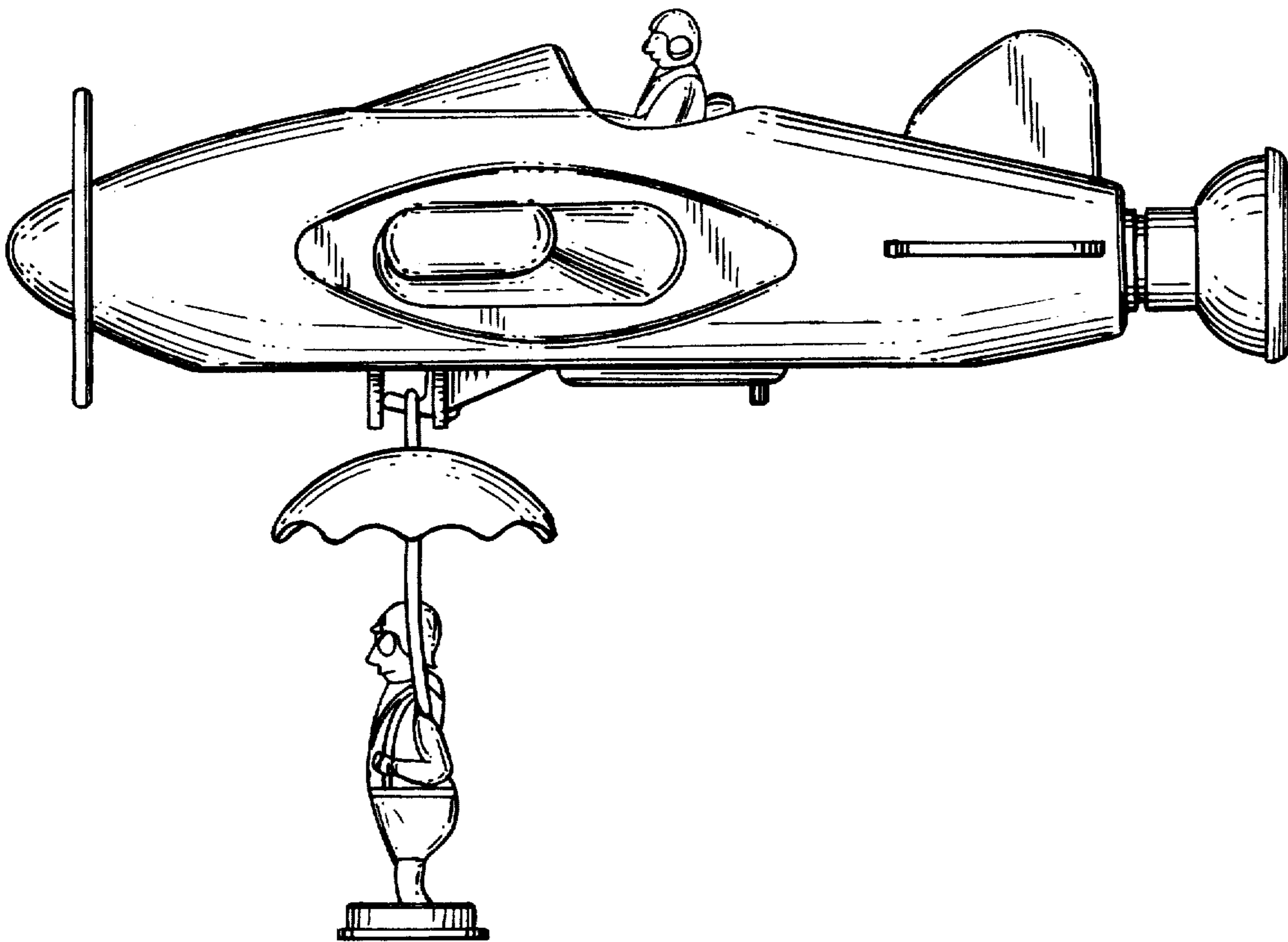
FIG. 2 is a right side elevational view thereof;

FIG. 3 is a front elevational view thereof;

FIG. 4 is a rear elevational view thereof;

FIG. 5 is a left side elevational view thereof; and,

FIG. 6 is a bottom plan view thereof.



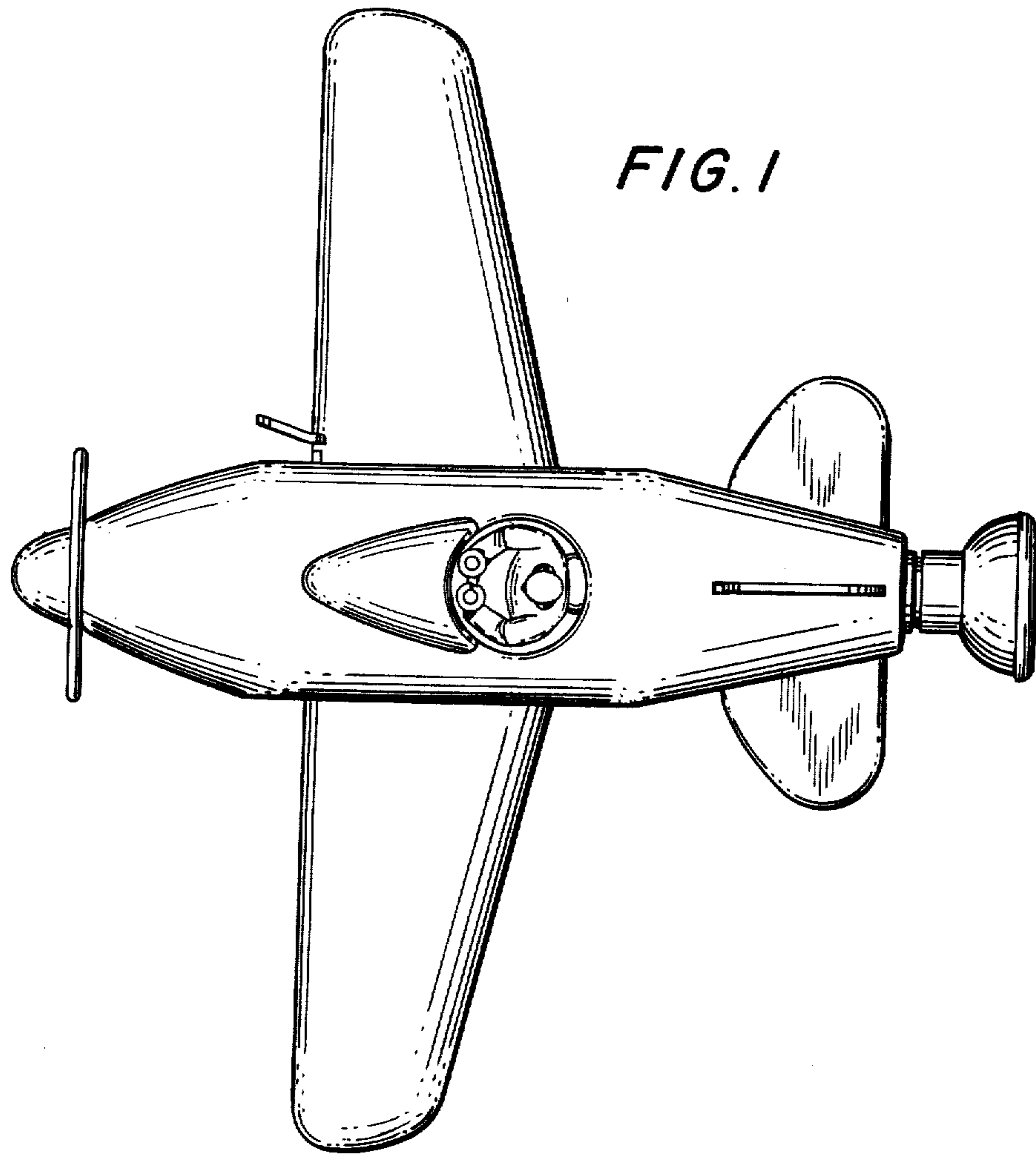


FIG. 1

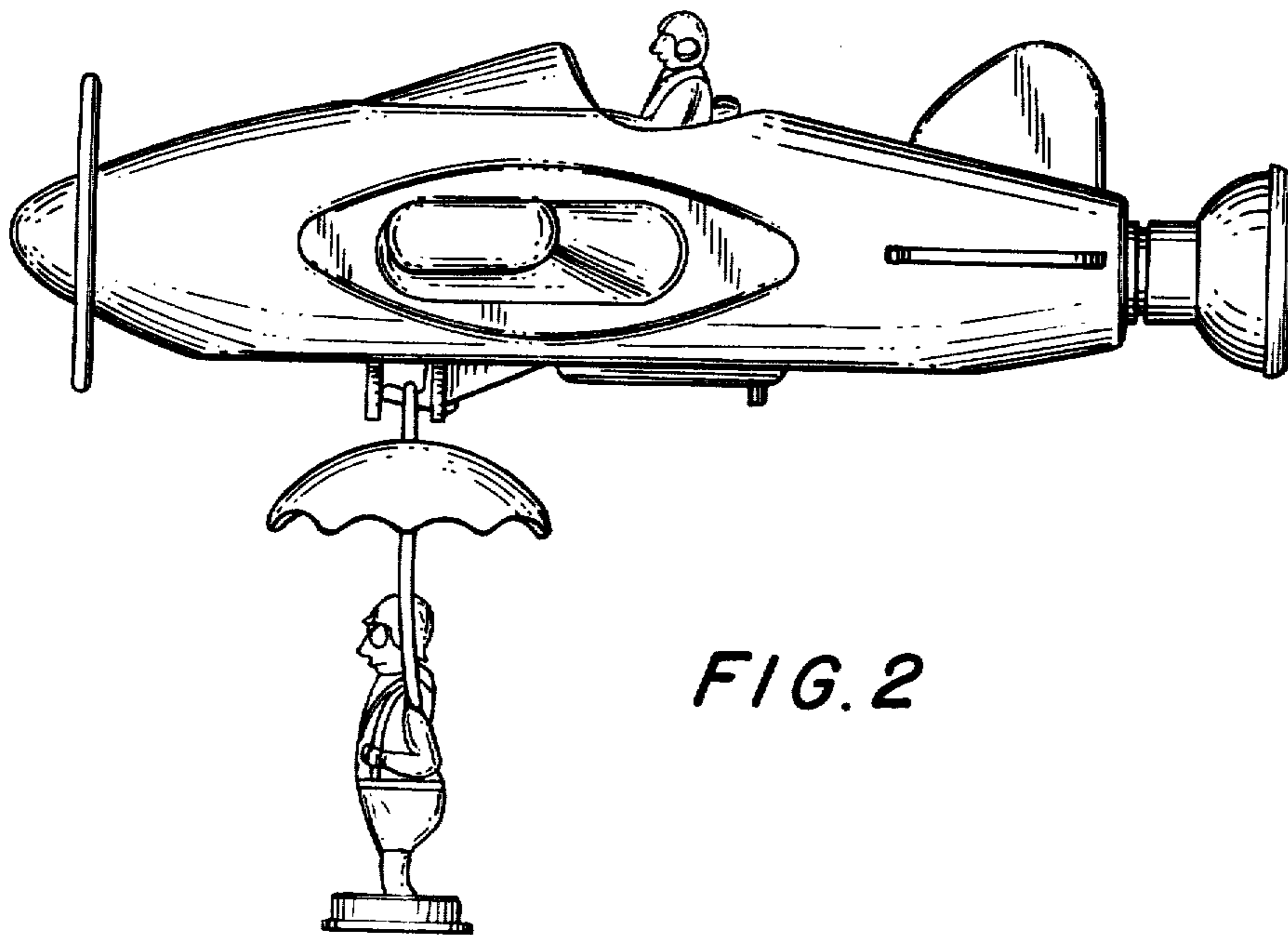


FIG. 2

FIG. 3

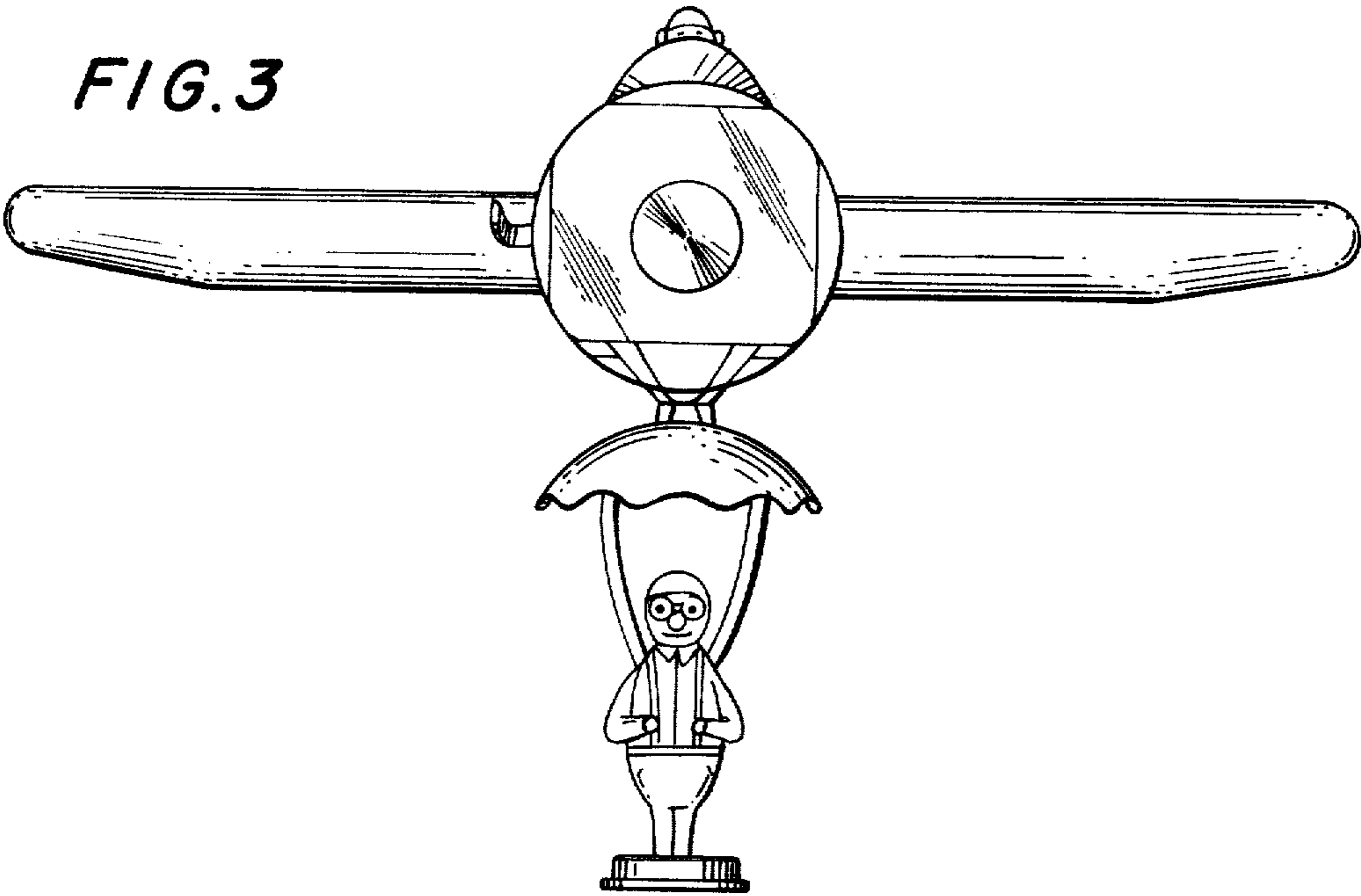
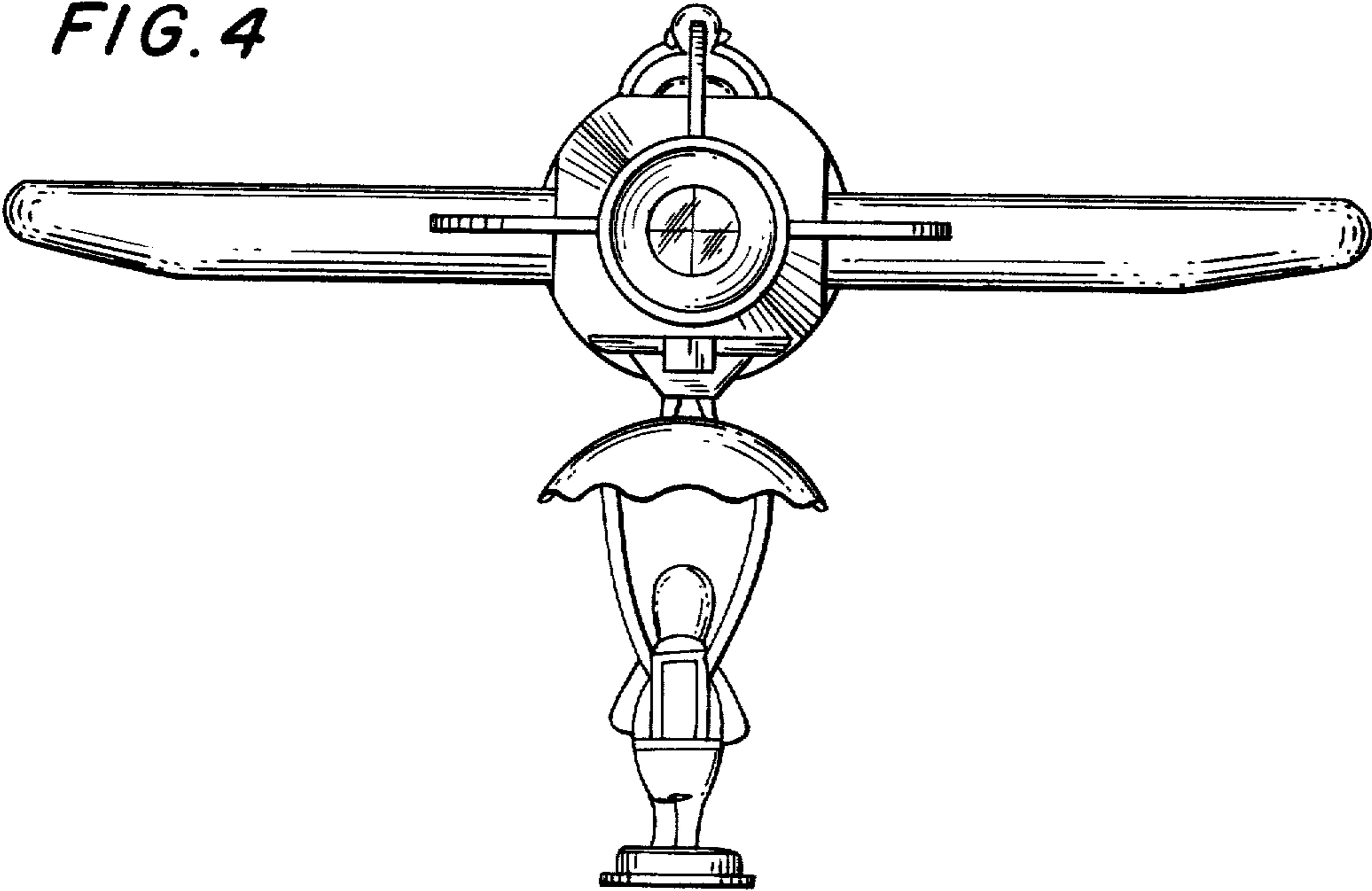


FIG. 4



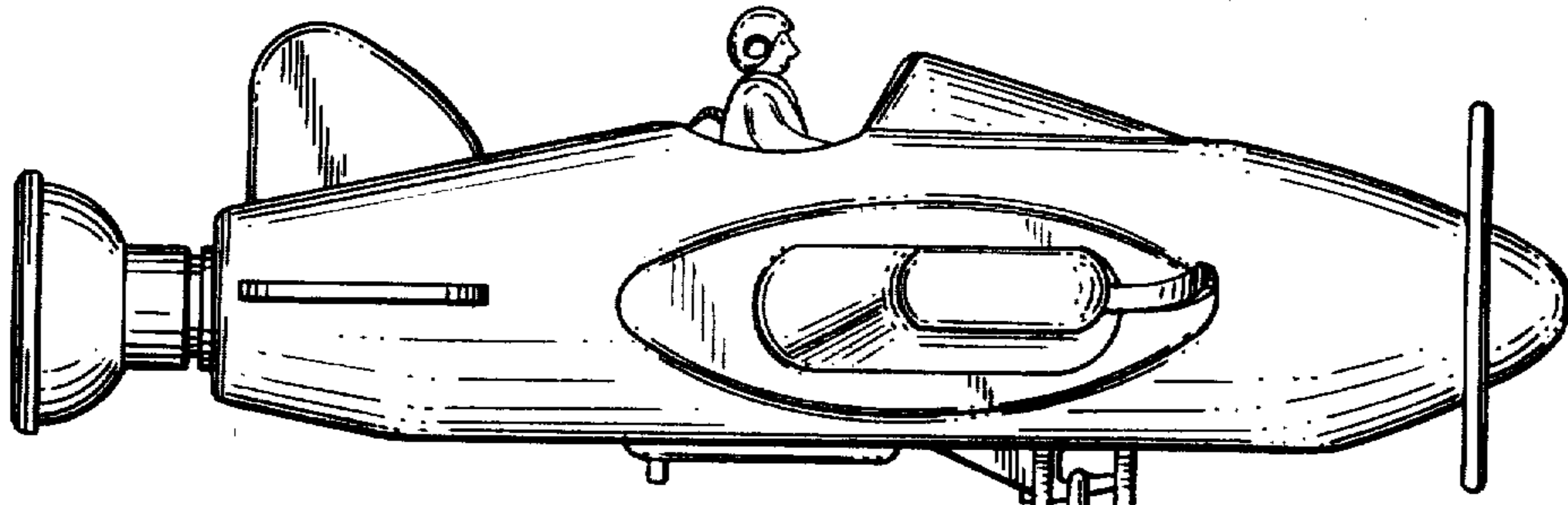


FIG. 5

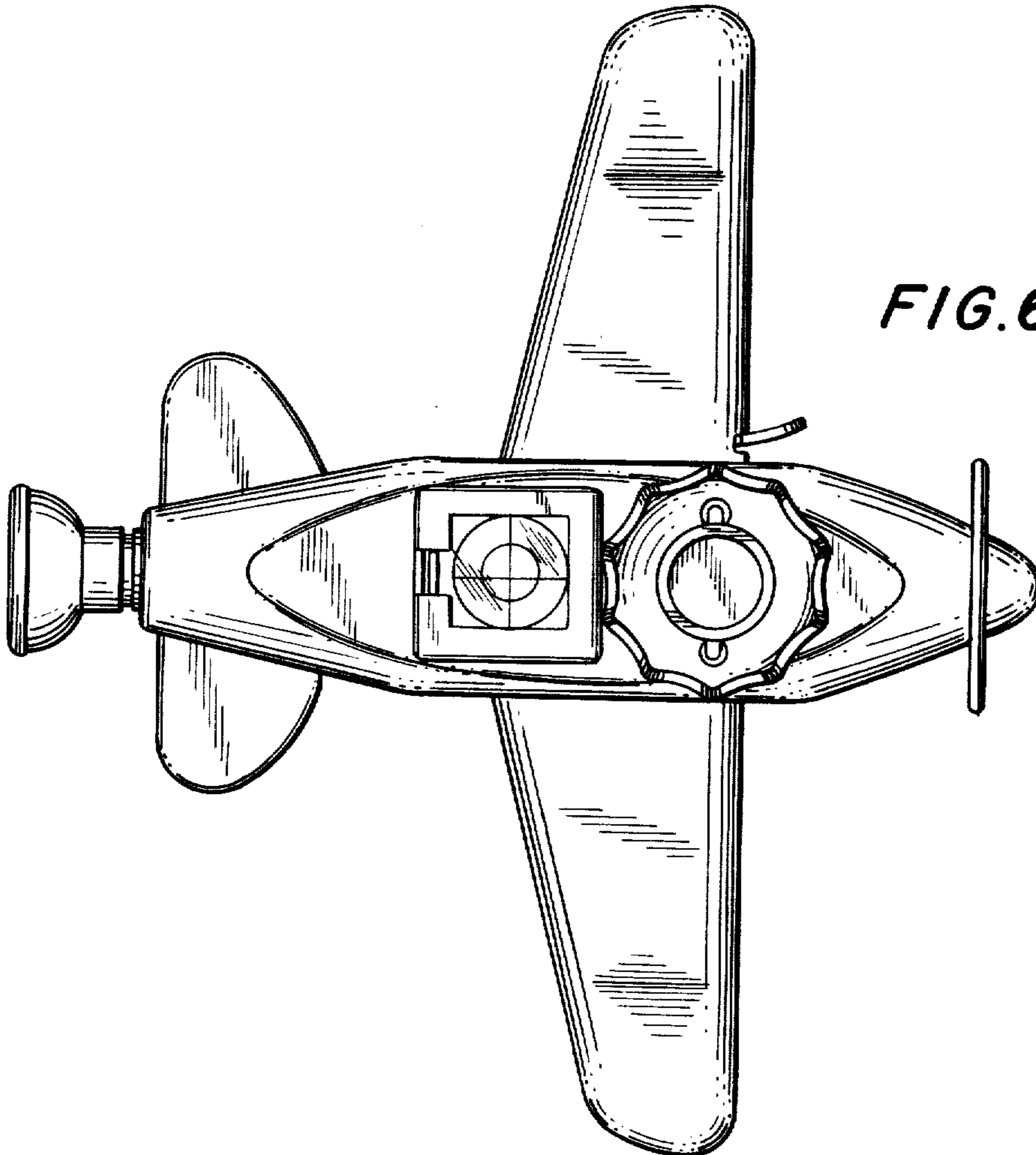
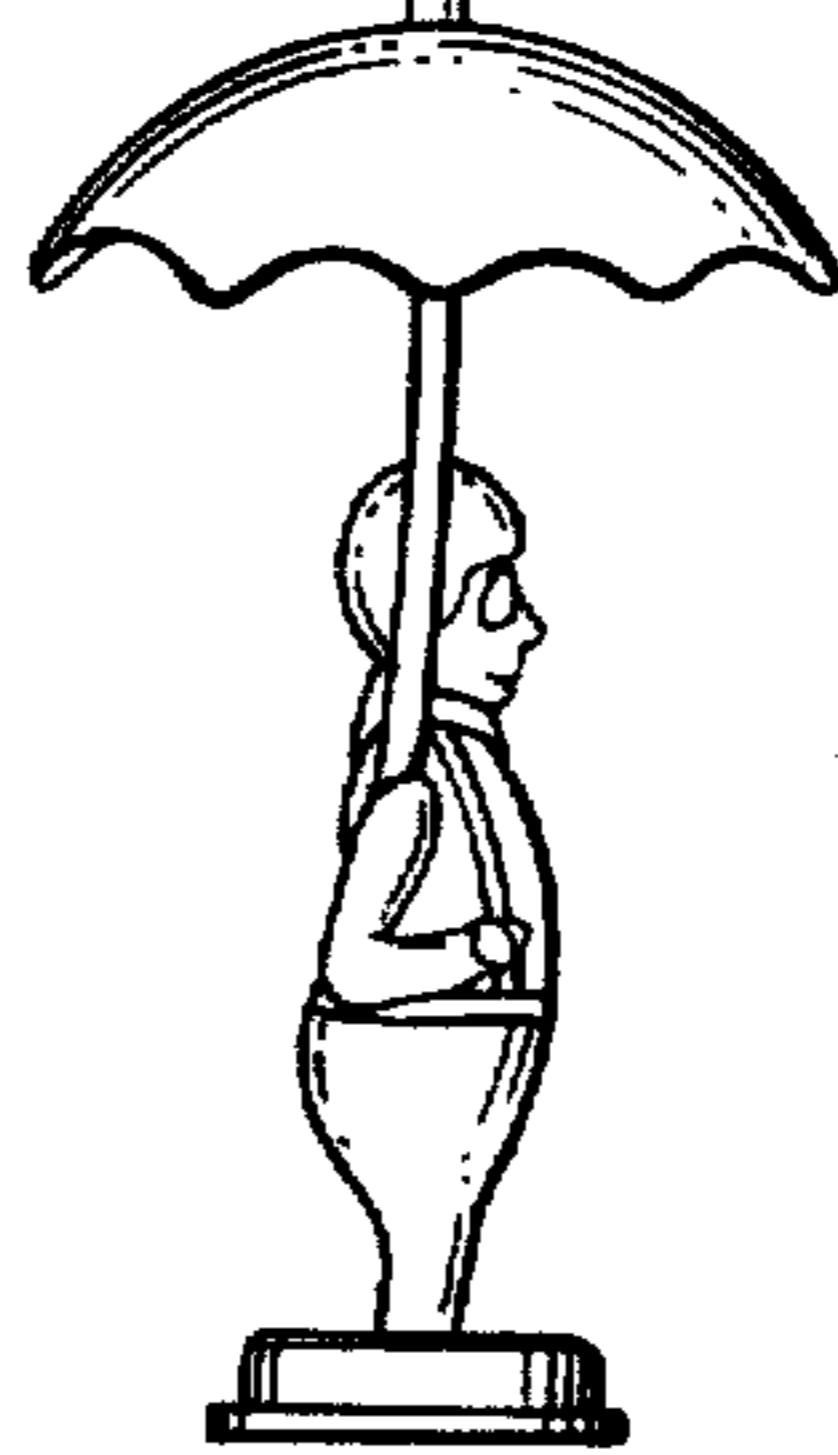


FIG. 6