

[54] TOY MOTORCYCLE

[75] Inventors: Adolph E. Goldfarb, 4614 Monarca Dr., Tarzana, Calif. 91345; Delmar K. Everitt, Woodland Hills, Calif.

[73] Assignee: Adolph E. Goldfarb, Tarzana, Calif.

[\*\*] Term: 14 Years

[21] Appl. No.: 121,125

[22] Filed: Feb. 13, 1980

[51] Int. Cl. .... D21-01

[52] U.S. Cl. .... D21/81; D12/110

[58] Field of Search ..... D21/76, 81, 128; D12/110; 280/87.01, 87.02 R; 46/201, 222

[56] References Cited

U.S. PATENT DOCUMENTS

- D. 170,610 10/1953 Sebel ..... 280/1.11 R
- D. 231,441 4/1974 Tratner ..... D12/110

- D. 248,387 7/1978 Kurishima ..... D12/110
- D. 253,901 1/1980 Sansom ..... D21/81

OTHER PUBLICATIONS

Design Magazine, 9-1978, p. 59, "Yamaha" Cycle.

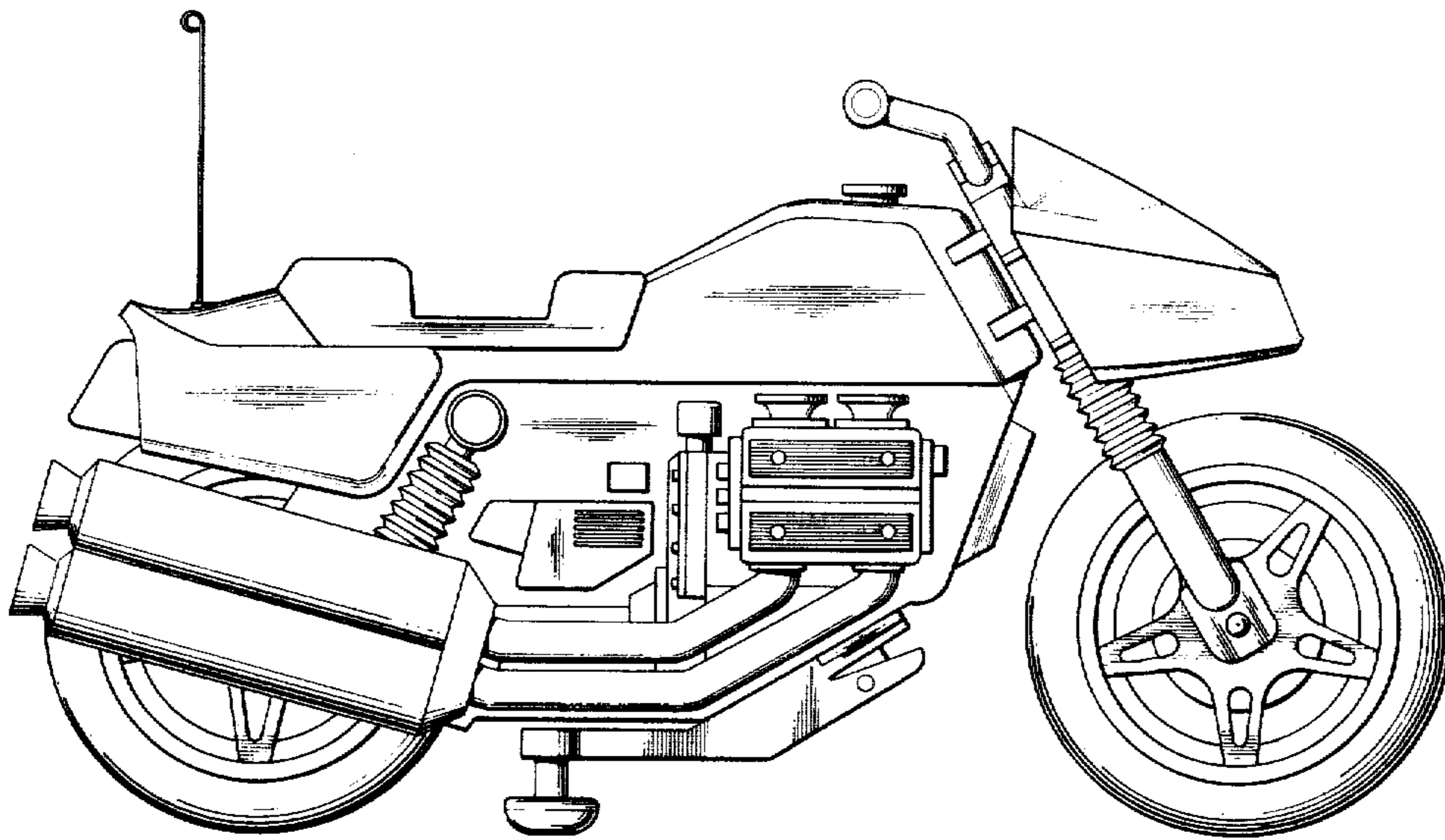
Primary Examiner—Charles A. Rademaker  
Attorney, Agent, or Firm—Romney, Golant, Martin, Disner & Ashen

[57] CLAIM

The ornamental design for a toy motorcycle, as shown and described.

DESCRIPTION

FIG. 1 is a side elevational view of a toy motorcycle showing our new design, the side opposite being substantially a mirror image;  
FIG. 2 is a front elevational view thereof;  
FIG. 3 is a rear elevational view thereof;  
FIG. 4 is a top plan view thereof; and  
FIG. 5 is a bottom plan view thereof.



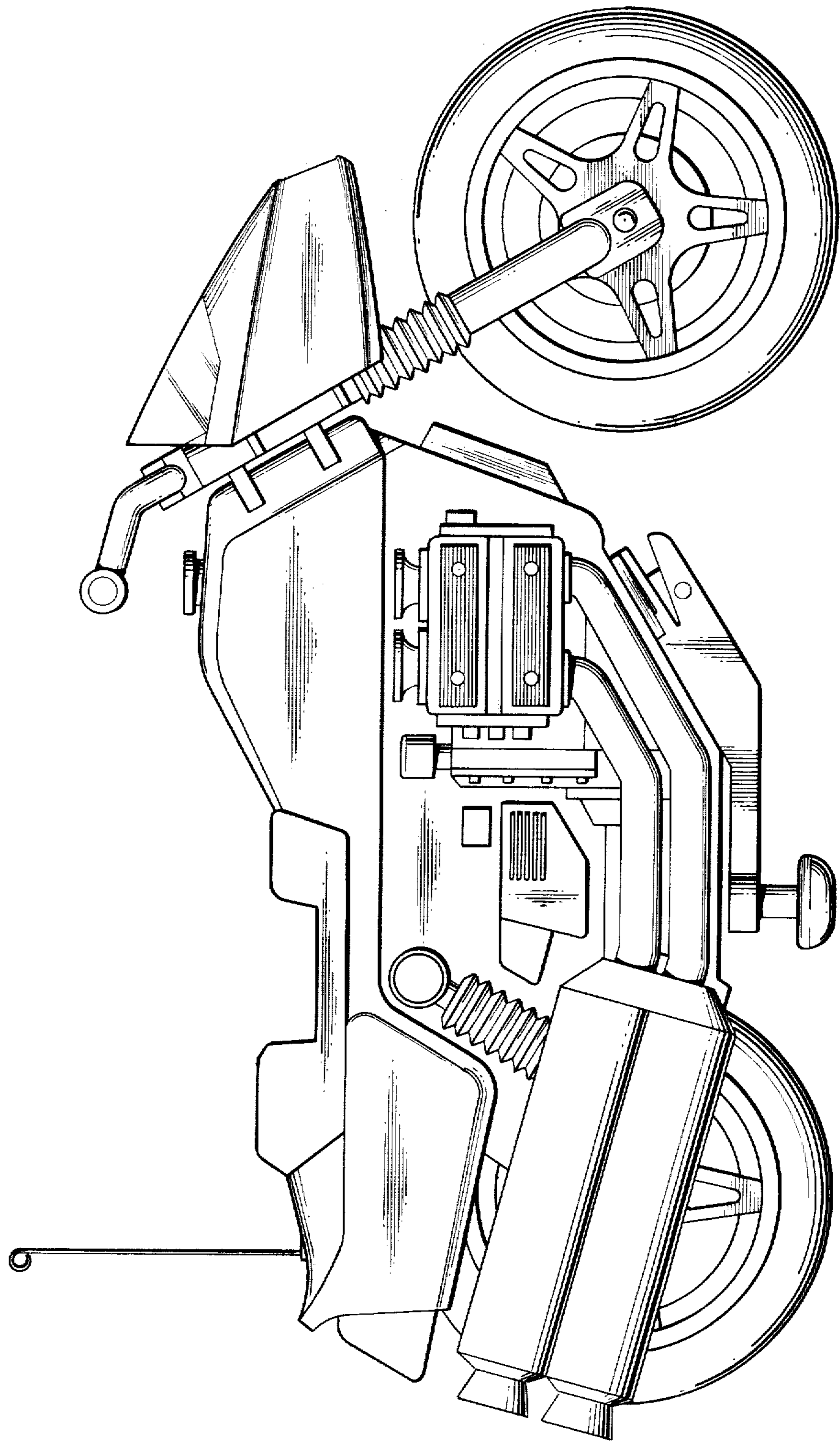


FIG. 1

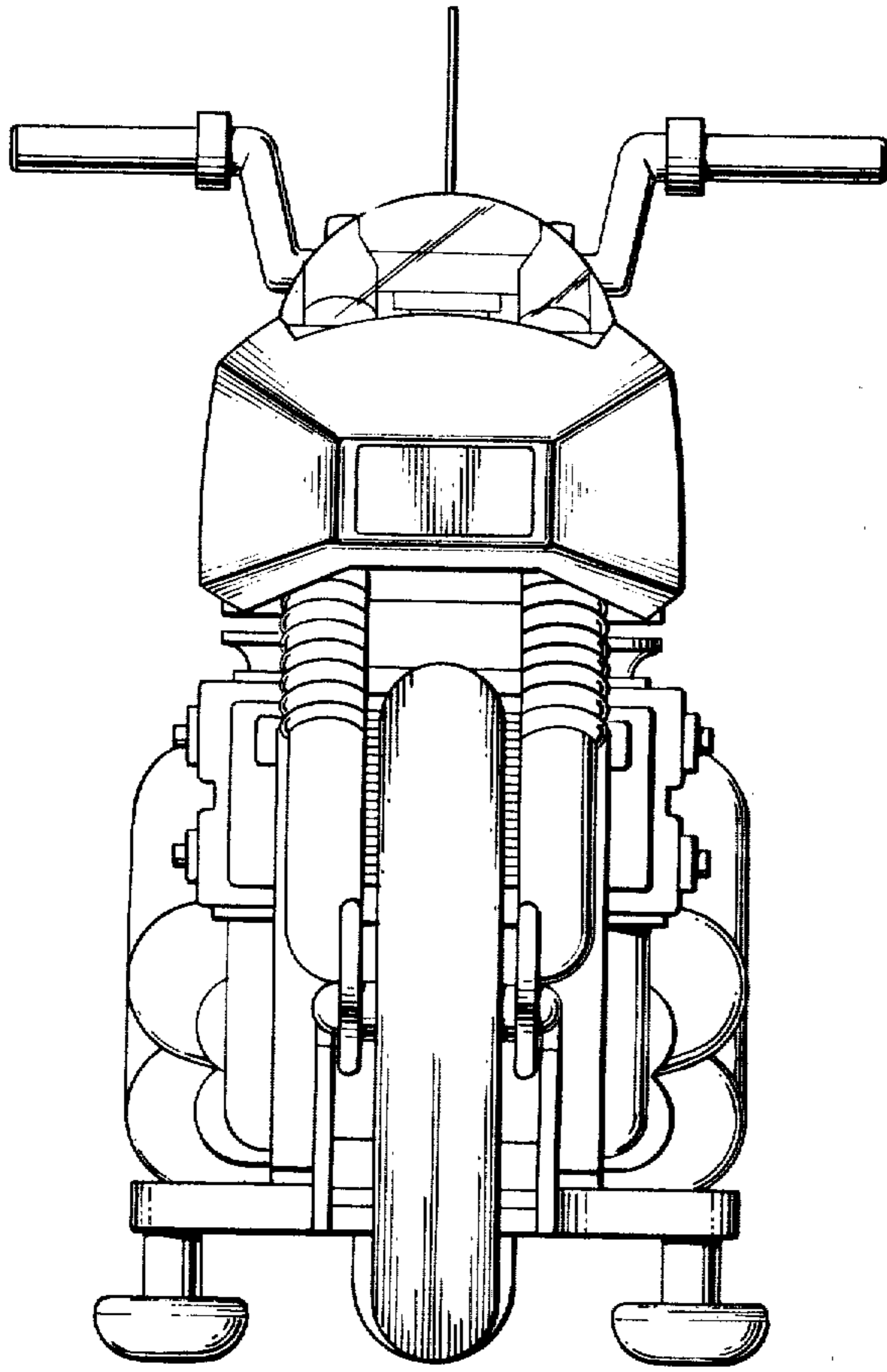


FIG. 2

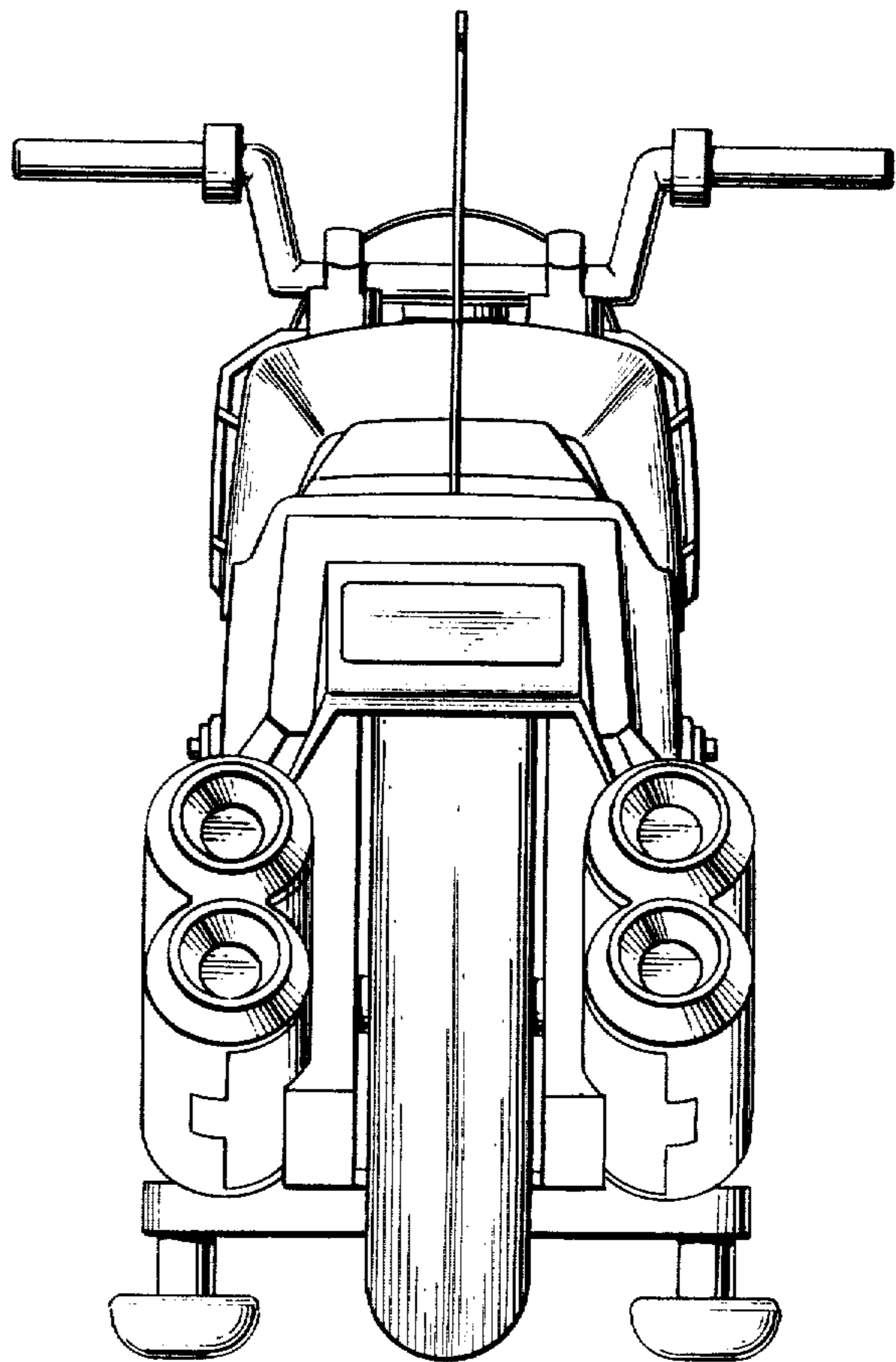


FIG. 3

