

[54] TOY EXCAVATOR

[76] Inventor: **Ingvar Magnusson**, 33709 Fifth Ave., Mission, British Columbia, Canada, V2V 1X1

[\*\*] Term: **14 Years**

[21] Appl. No.: **211,527**

[22] Filed: **Nov. 28, 1980**

[30] Foreign Application Priority Data

Jun. 10, 1980 [CA] Canada ..... 10-06801

[51] Int. Cl. .... **D21-01**

[52] U.S. Cl. .... **D21/79; D21/132**

[58] Field of Search ..... **D21/124, 128, 132, 134, D21/135, 136, 137, 140, 76, 78, 79, 82; 46/1 R; 280/1.1 R, 1.11 R, 87.01 R**

[56]

References Cited

U.S. PATENT DOCUMENTS

D. 141,925	7/1945	Nudelman .....	D21/132
D. 215,166	9/1969	Richardson .....	D21/132
D. 228,358	9/1973	Wormser et al. ....	D21/132
1,529,392	3/1925	Burke .....	D21/132
1,827,541	10/1931	Opperman .....	D21/132

Primary Examiner—Charles A. Rademaker  
Attorney, Agent, or Firm—Carver & Co.

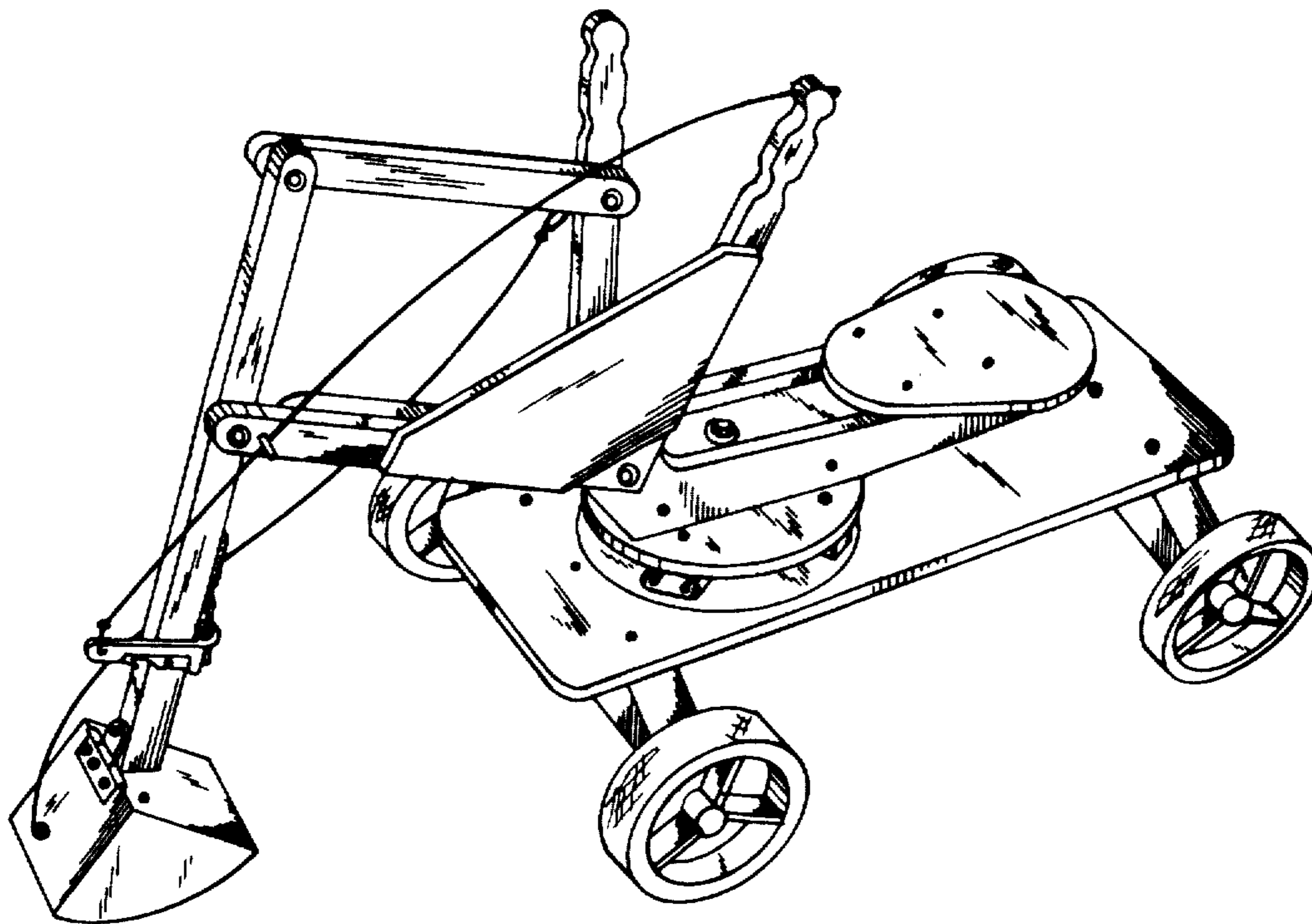
[57]

CLAIM

The ornamental design for a toy excavator, substantially as shown and described.

DESCRIPTION

FIG. 1 is a perspective view of a toy excavator showing my new design, FIG. 2 is a top plan view thereof, and FIG. 3 is a front elevational view thereof.



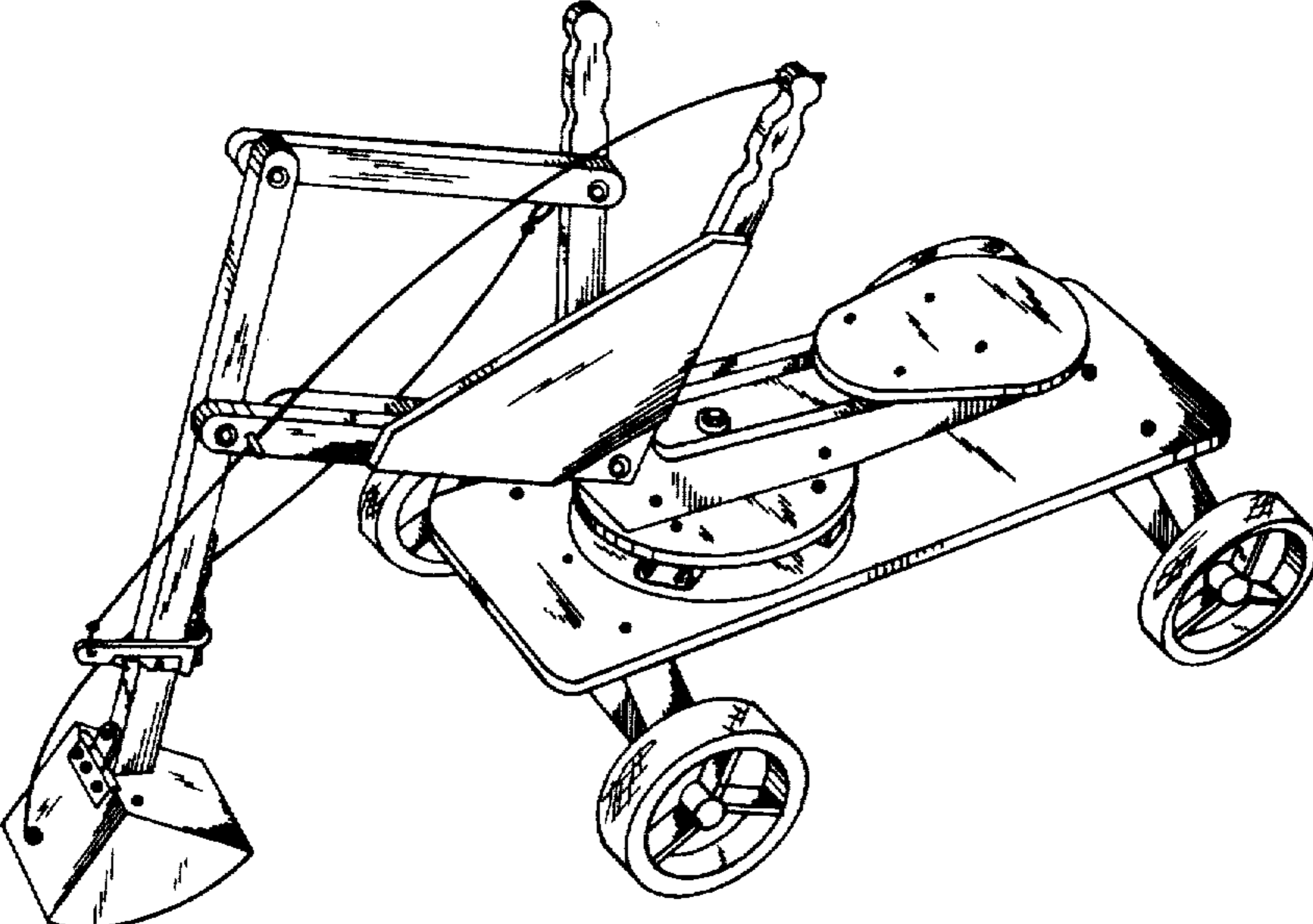


FIG 1

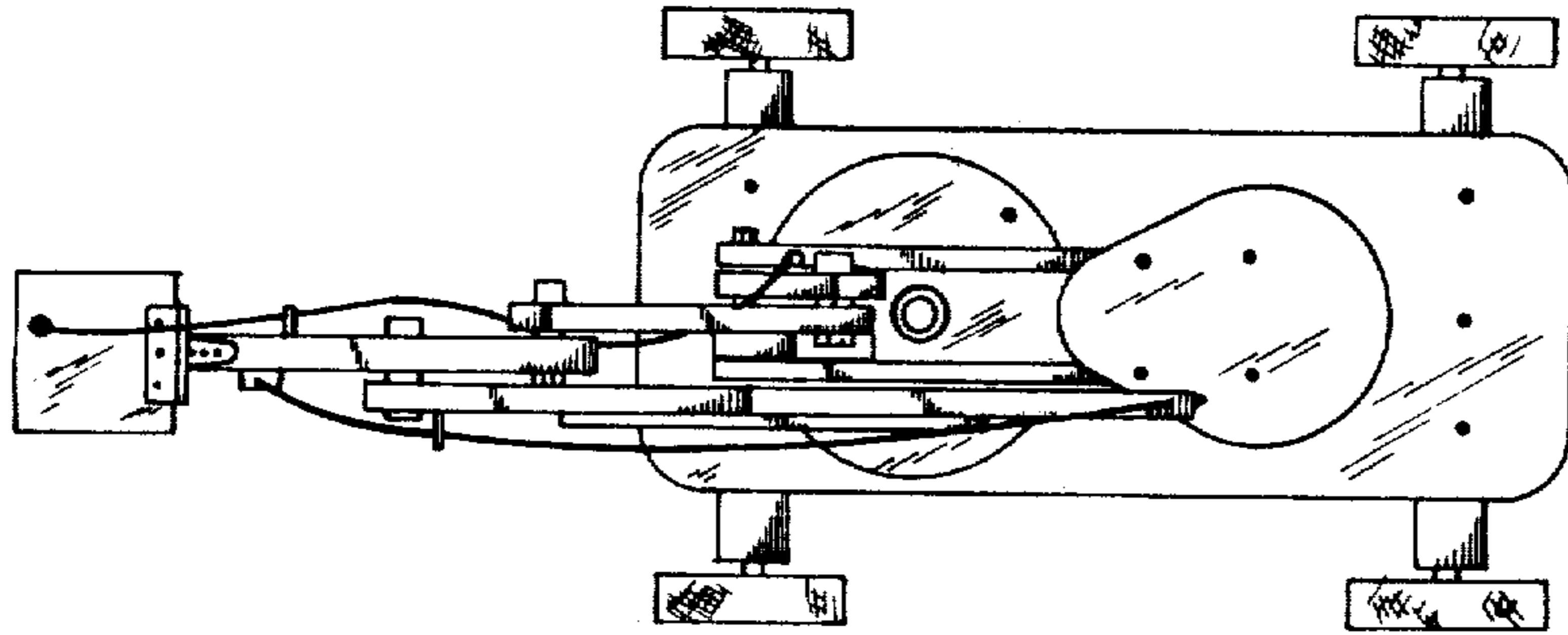


FIG 2

FIG 3

