

[54] TONER BOTTLE

[75] Inventors: Thomas A. Tacklind, San Jose; John L. McChesney, Cupertino, both of Calif.

[73] Assignee: Xerox Corporation, Stamford, Conn.

[\*\*] Term: 14 Years

[21] Appl. No.: 164,750

[22] Filed: Jun. 30, 1980

[51] Int. Cl. .... D16-99

[52] U.S. Cl. .... D16/32

[58] Field of Search ..... D16/32, 37, 38; D9/375, D9/373, 378, 400, 401, 403, 413, 367

[56]

References Cited

U.S. PATENT DOCUMENTS

D. 214,021	5/1969	Bacialli	.....	D9/375
D. 218,152	7/1970	Emerson	.....	D16/32
D. 220,679	5/1971	Finkel	.....	D9/375
D. 245,761	9/1977	Alseth	.....	D16/32

Primary Examiner—Nelson C. Holtje  
Attorney, Agent, or Firm—W. Douglas Carothers, Jr.

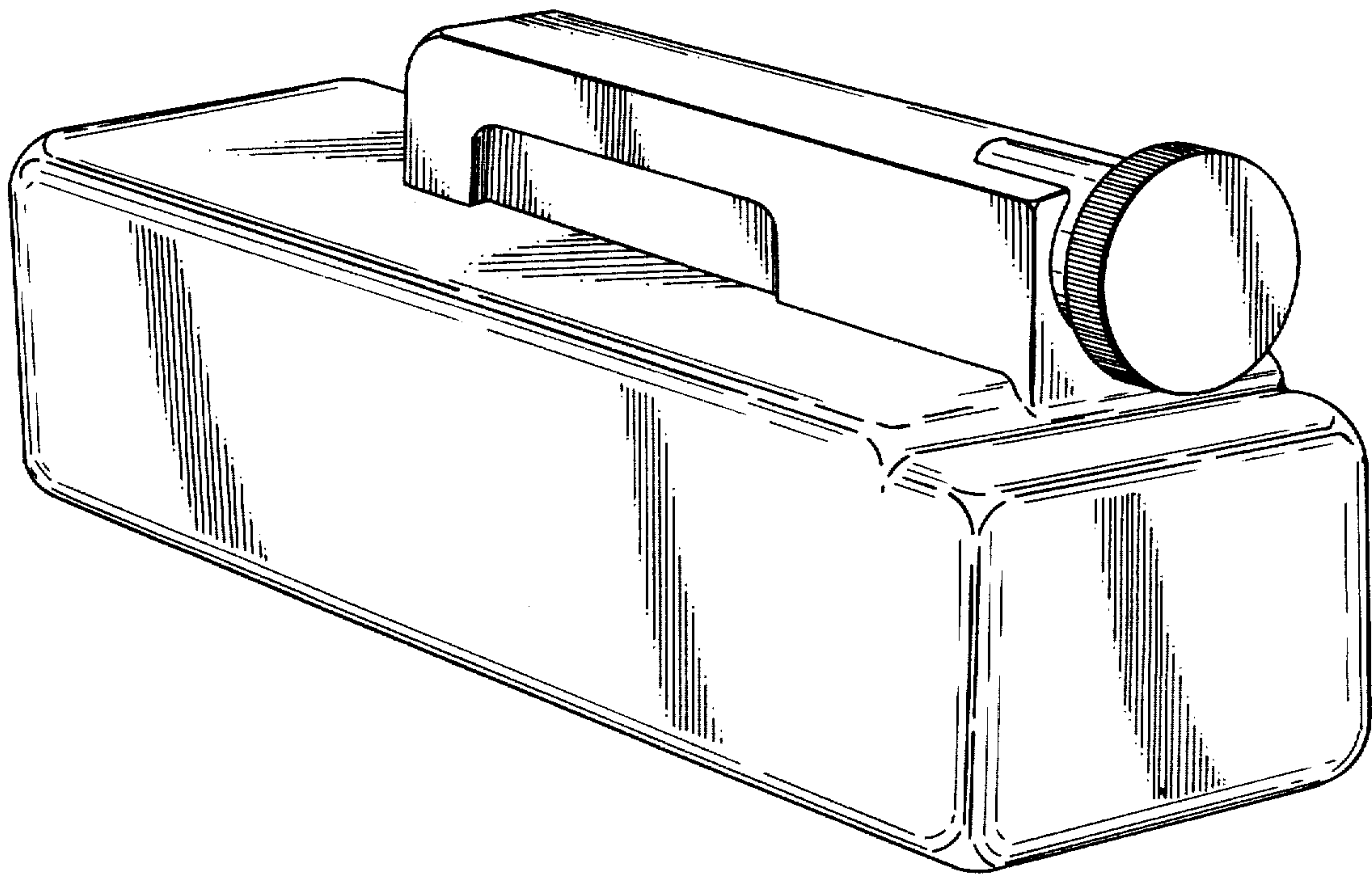
[57]

CLAIM

The ornamental design for a toner bottle, as shown.

DESCRIPTION

FIG. 1 is a top and left front perspective view of a toner bottle showing our new design;  
FIG. 2 is a front elevational view thereof;  
FIG. 3 is a right side elevational view thereof;  
FIG. 4 is a rear elevational view thereof;  
FIG. 5 is a left side elevational view thereof;  
FIG. 6 is a top plan view thereof;  
FIG. 7 is a bottom plan view thereof.



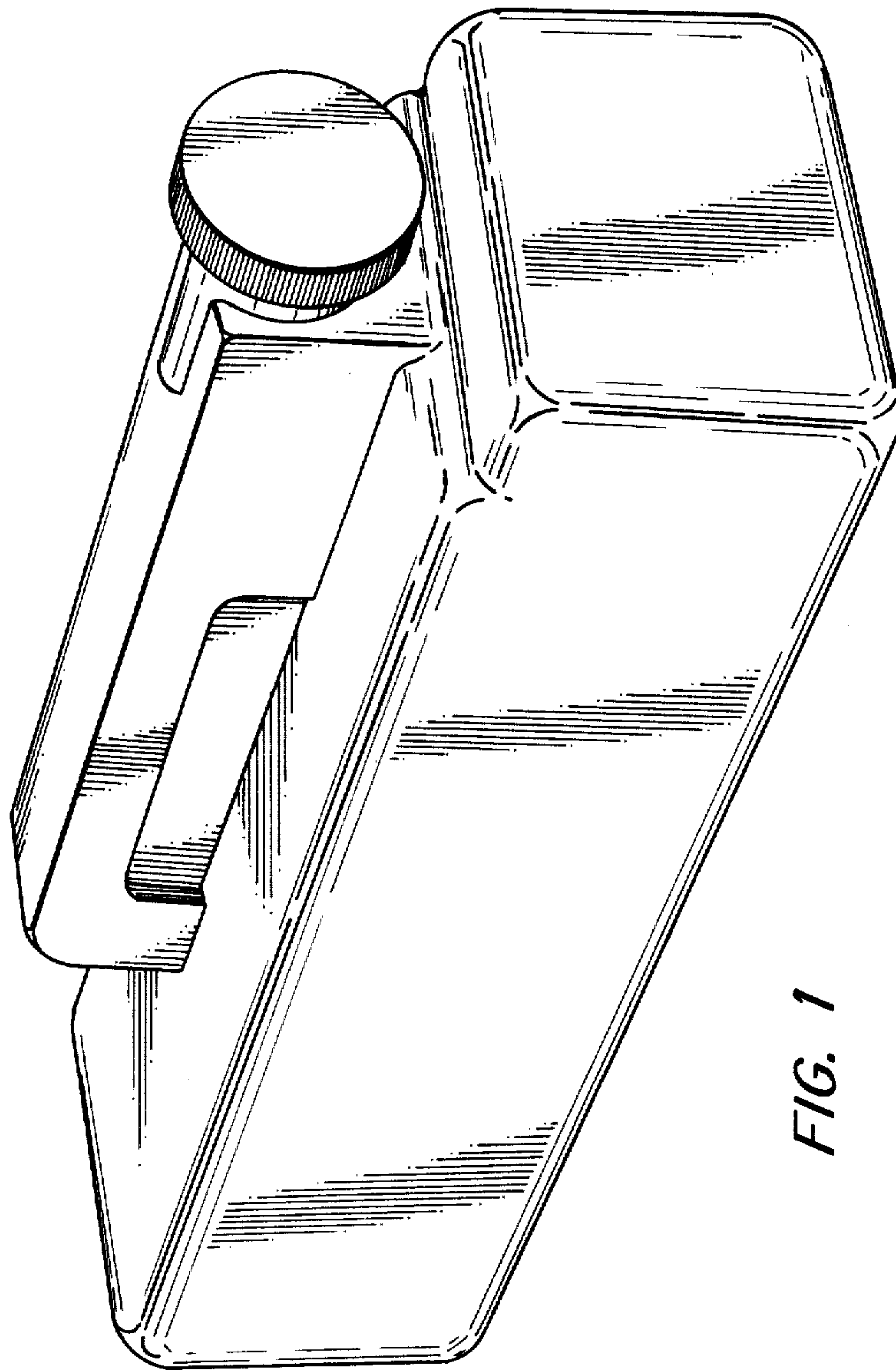
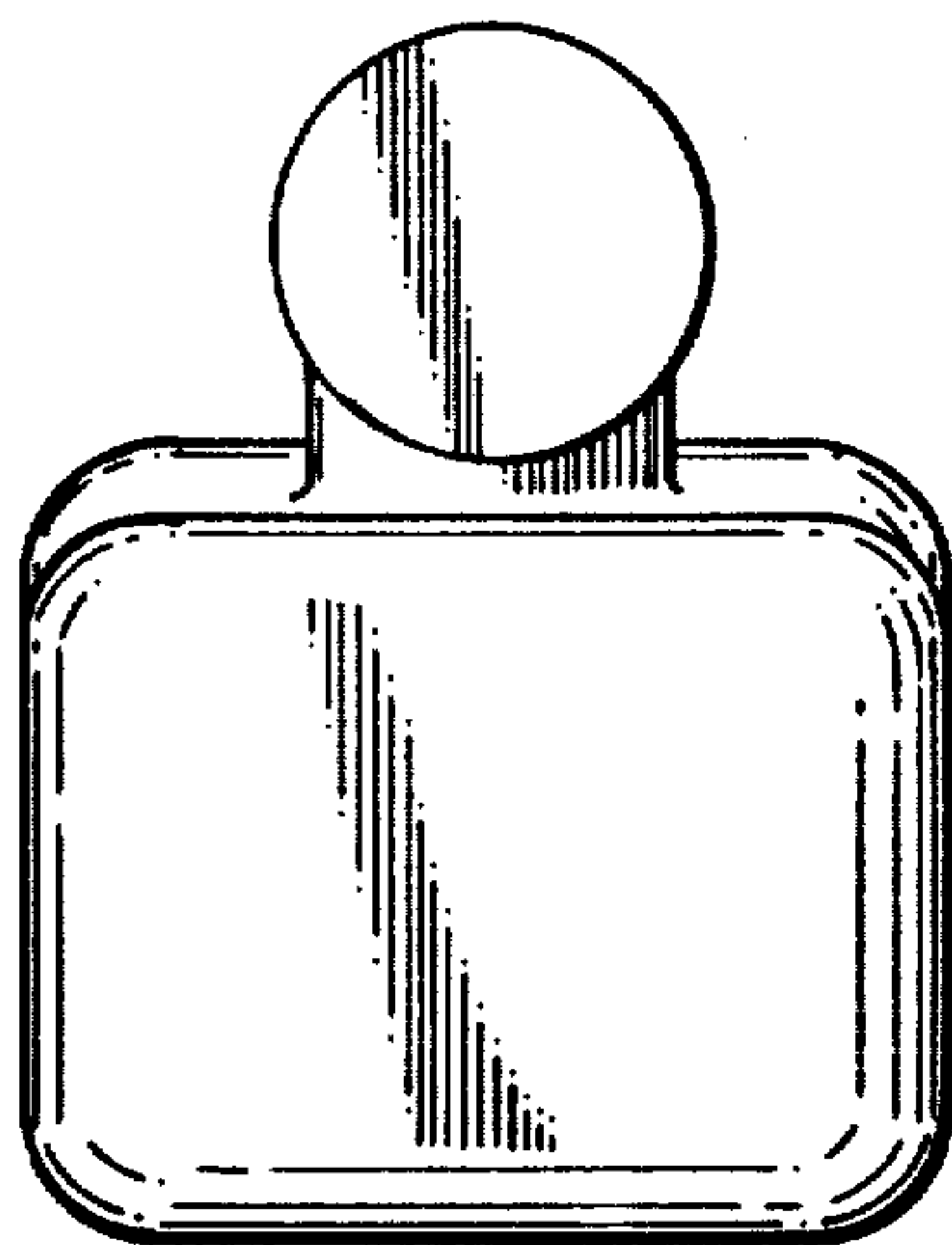
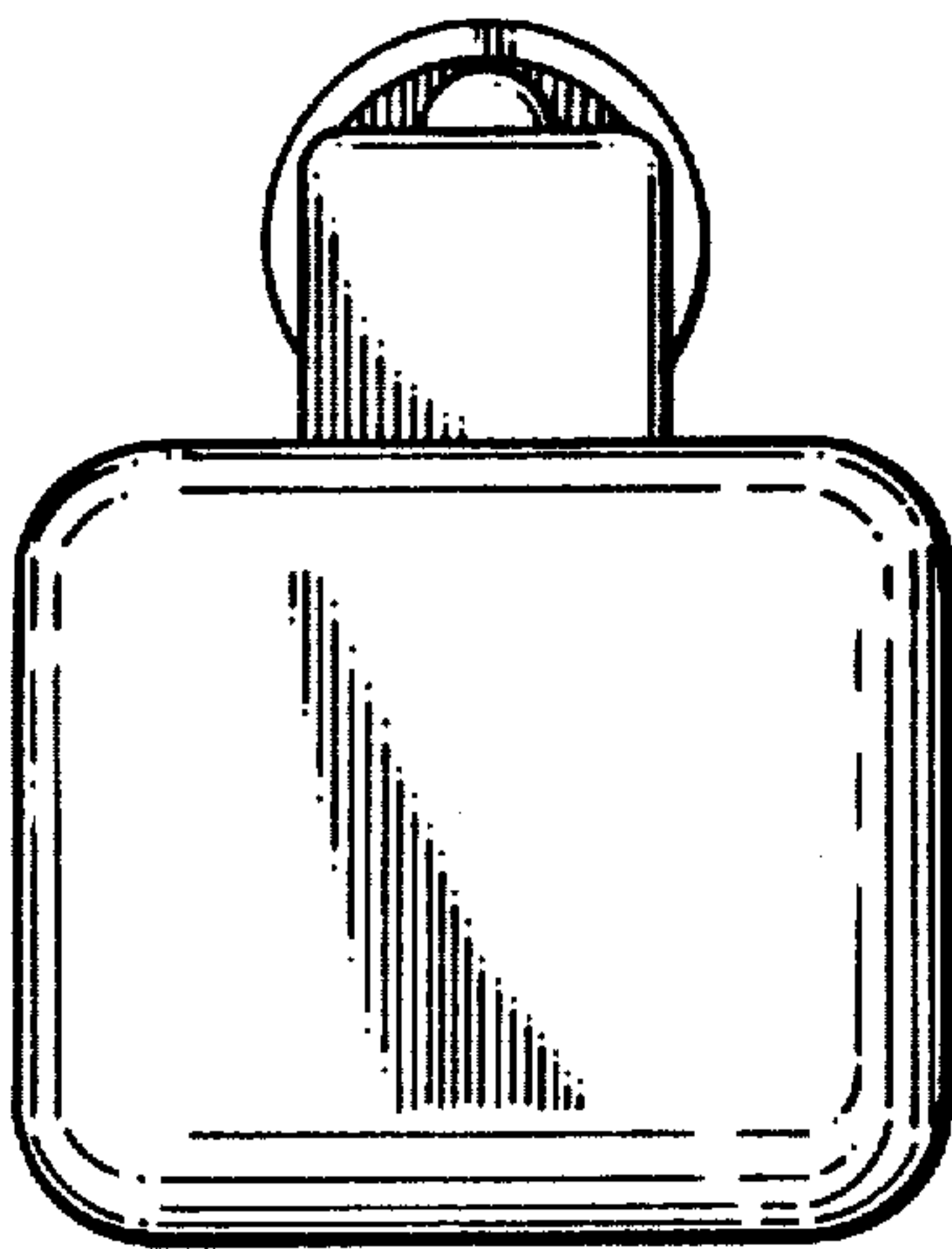


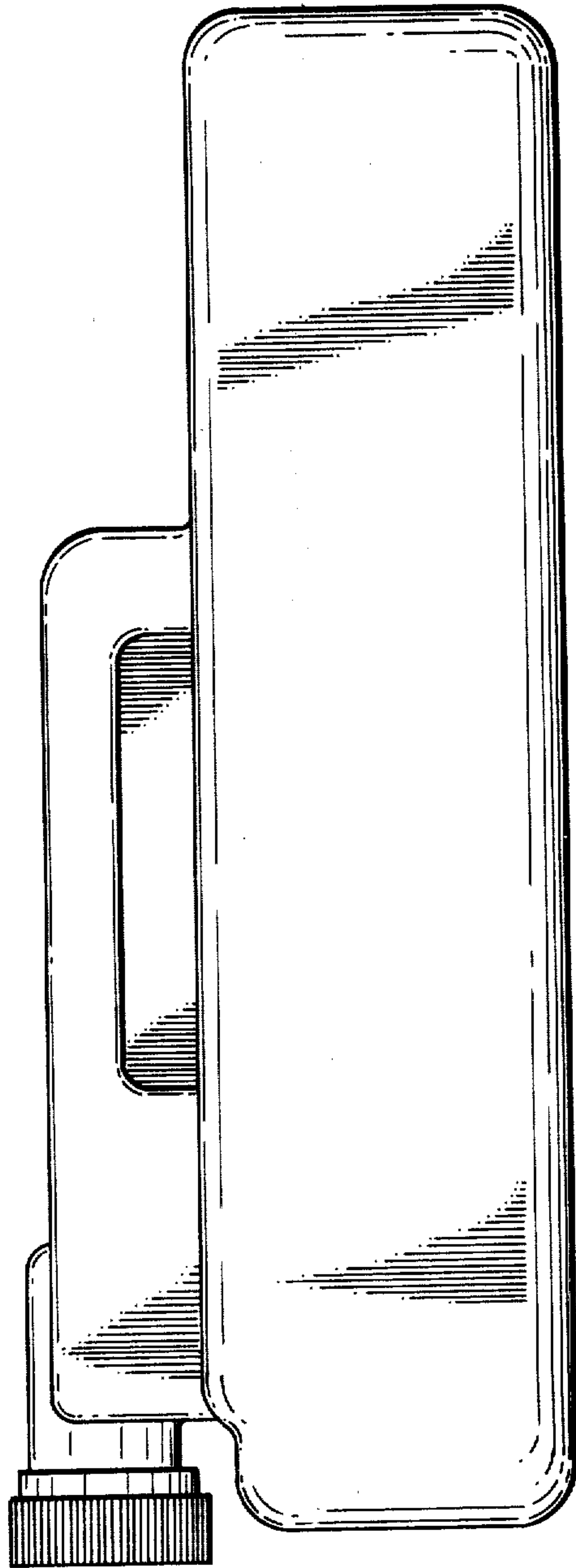
FIG. 1



*FIG. 2*



*FIG. 4*



*FIG. 3*

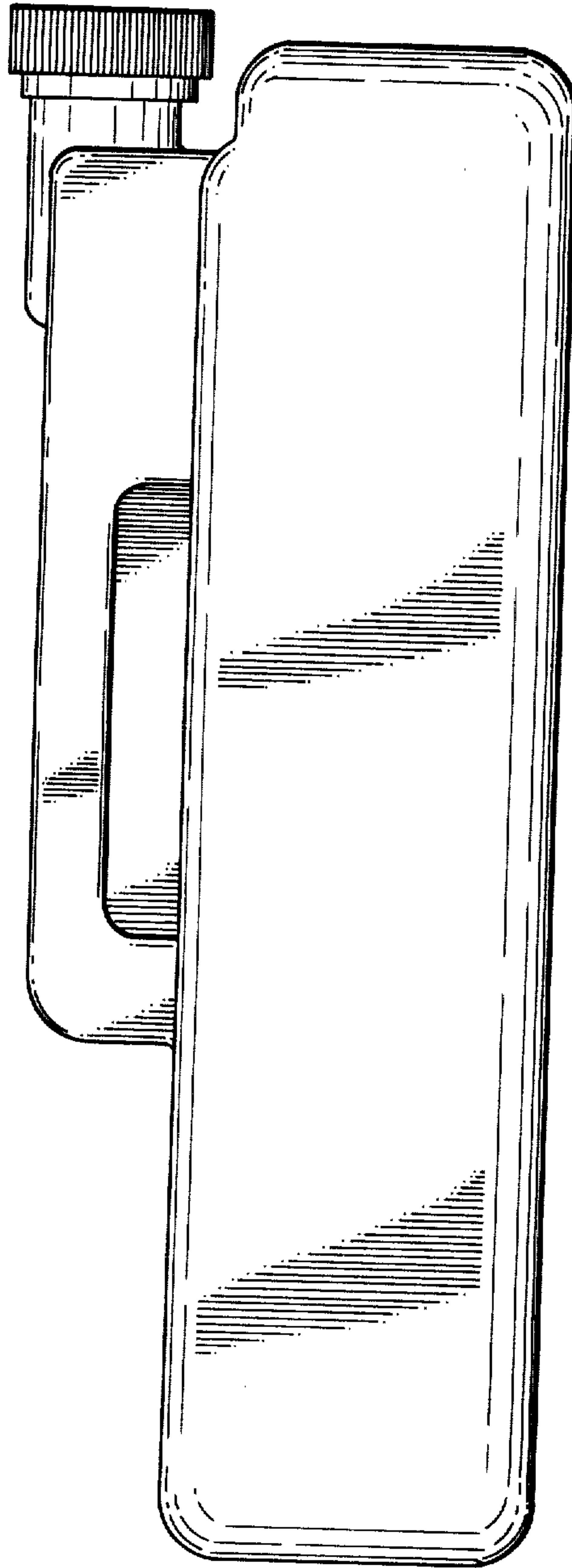
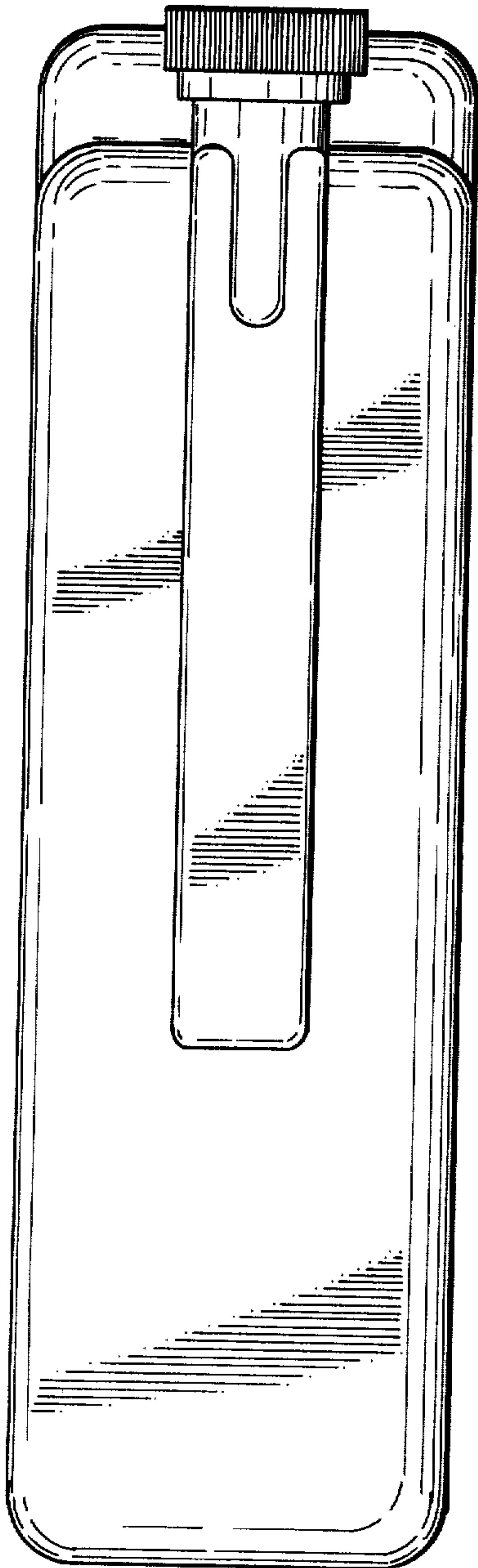
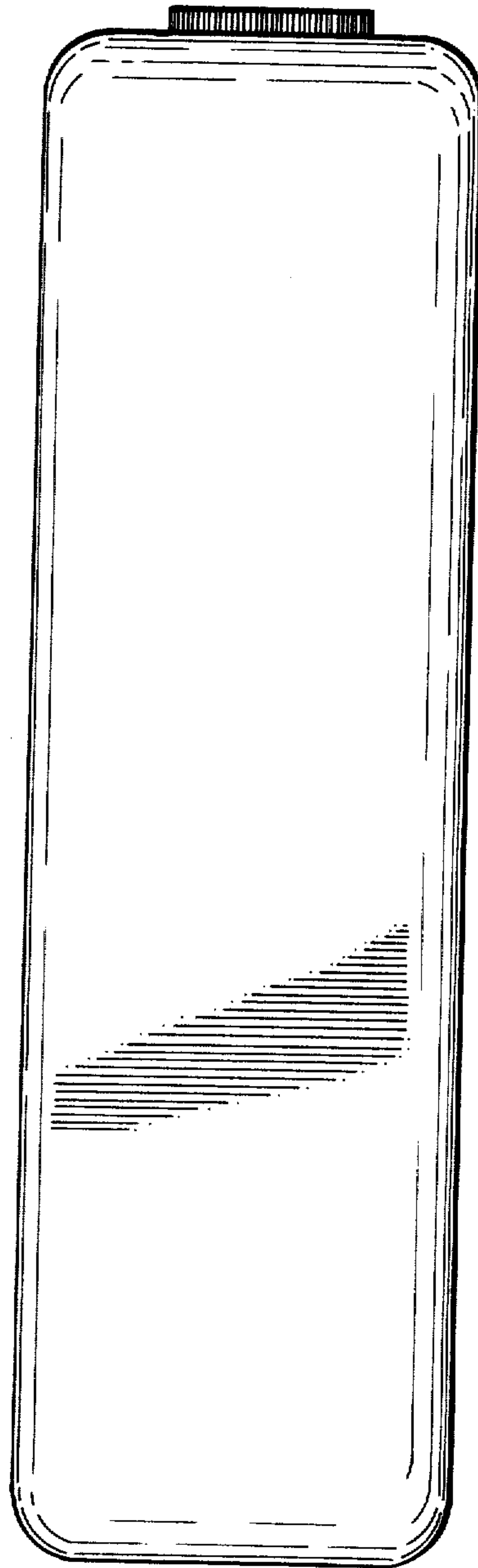


FIG. 5



*FIG. 6*



*FIG. 7*