

[54] COMBINED BOAT DECK AND SKI STORAGE WELL

[76] Inventor: Charles B. Bonifield, Rte. 2, Warsaw, Ind. 46580

[**] Term: 14 Years

[21] Appl. No.: 841,026

[22] Filed: Oct. 11, 1977

[51] Int. Cl. D12-06

[52] U.S. Cl. D12/318

[58] Field of Search D12/62, 70; 9/1.1, 6 P, 9/6 R

[56] References Cited

U.S. PATENT DOCUMENTS

- D. 225,281 11/1972 Peterson D12/62
- D. 230,473 2/1974 Potsdam D12/70
- 3,958,289 5/1976 Carlson 9/1.1

Primary Examiner—Sam Rosen

[57] CLAIM

The ornamental design for a combined boat deck and ski storage well, substantially as shown and described.

DESCRIPTION

FIG. 1 is a perspective view of the combined boat deck and ski storage well showing my new design; FIG. 2 is a rear perspective view thereof more particularly showing the ski storage well and with the rear portion of the deck cut-away for ease of illustration; FIG. 3 is a side elevational view thereof; and FIG. 4 is a top plan view thereof.

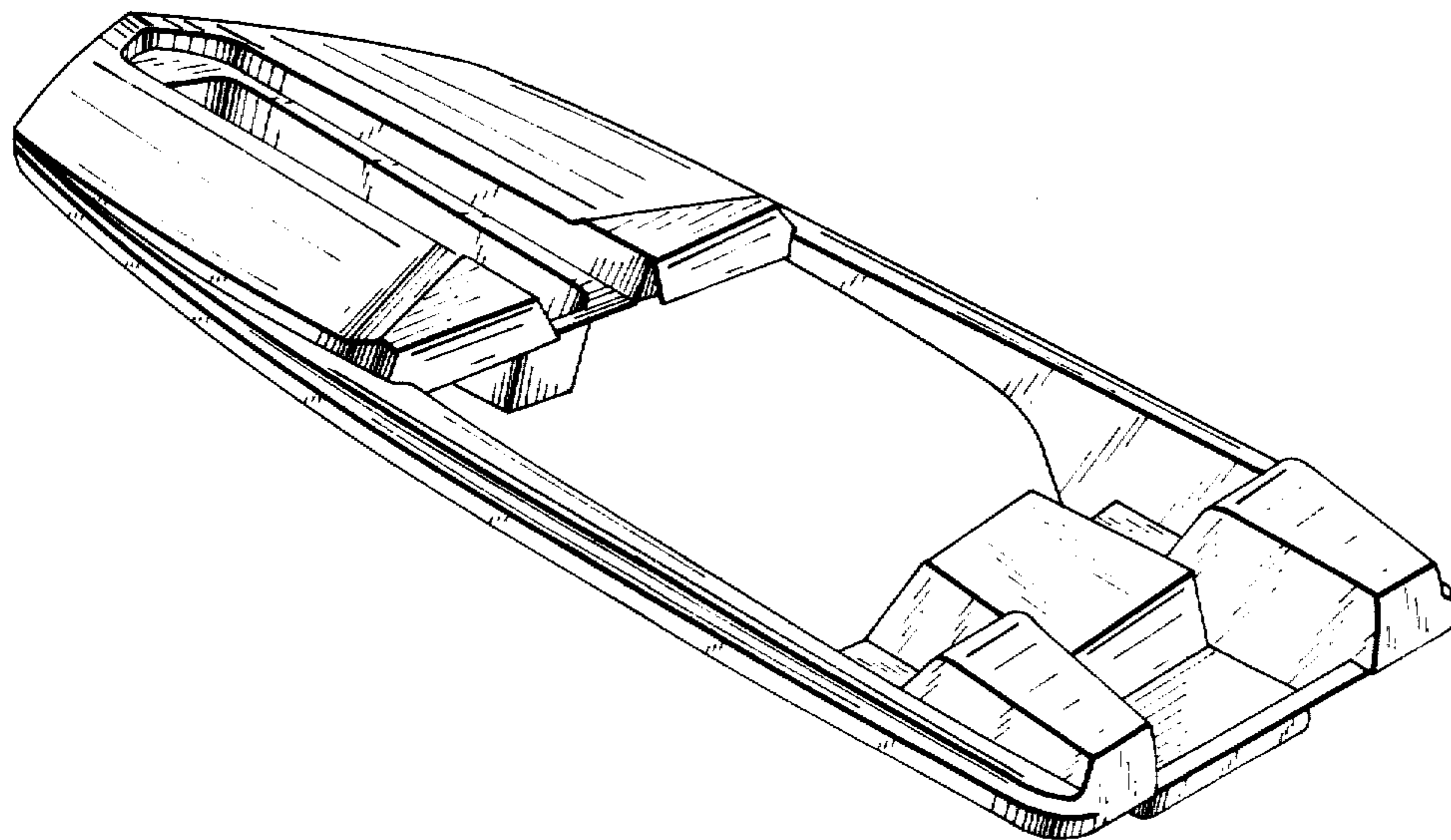


FIG. 1

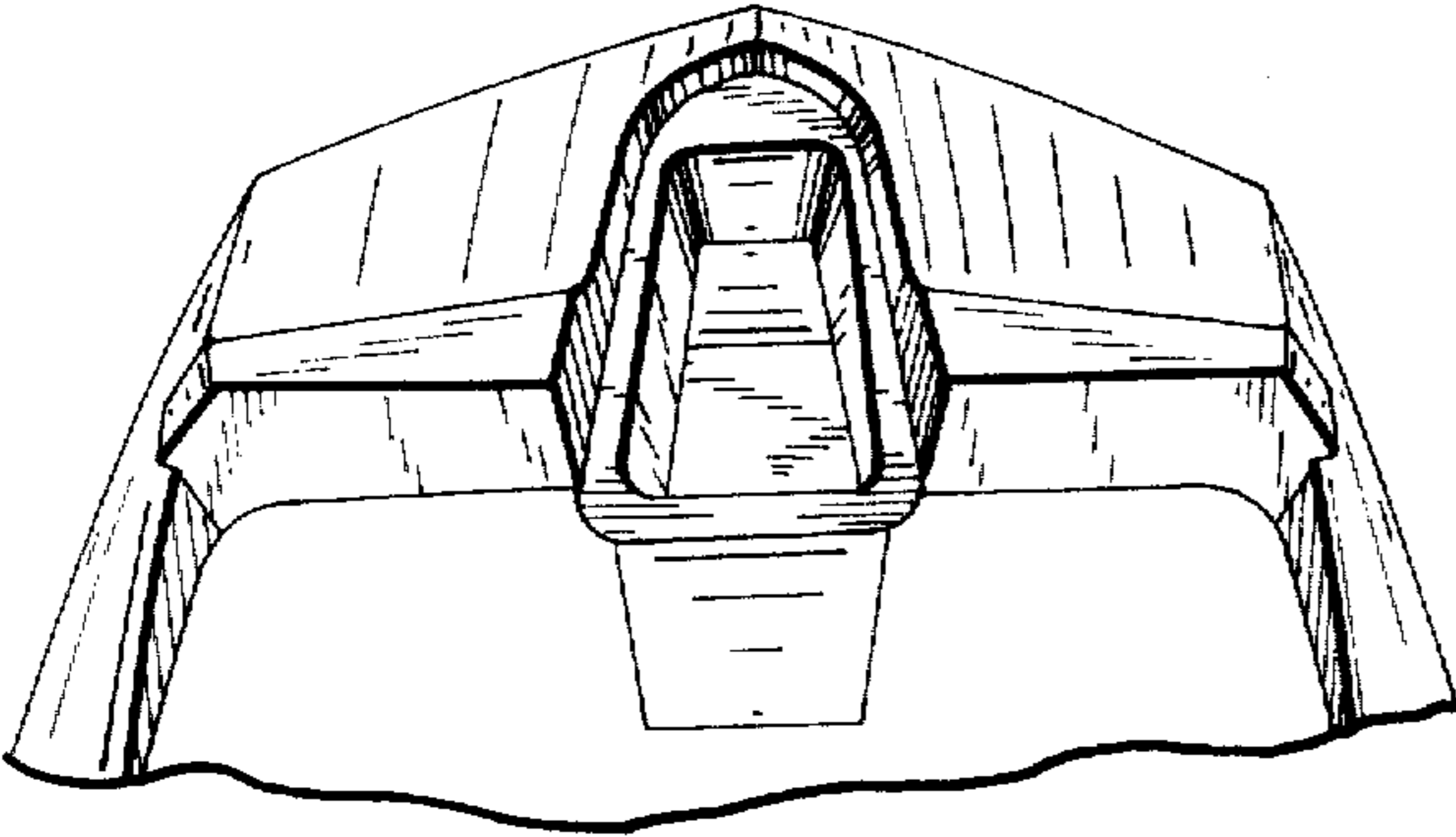
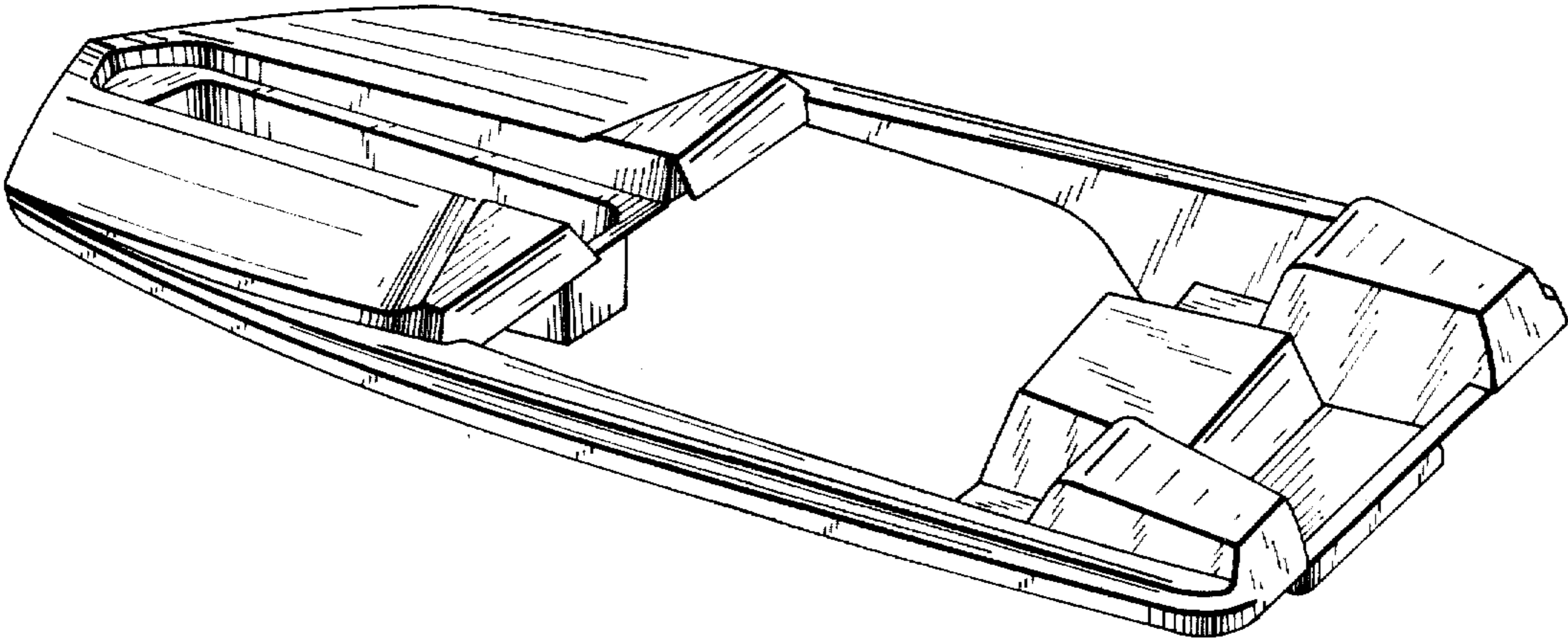


FIG. 2

FIG. 3

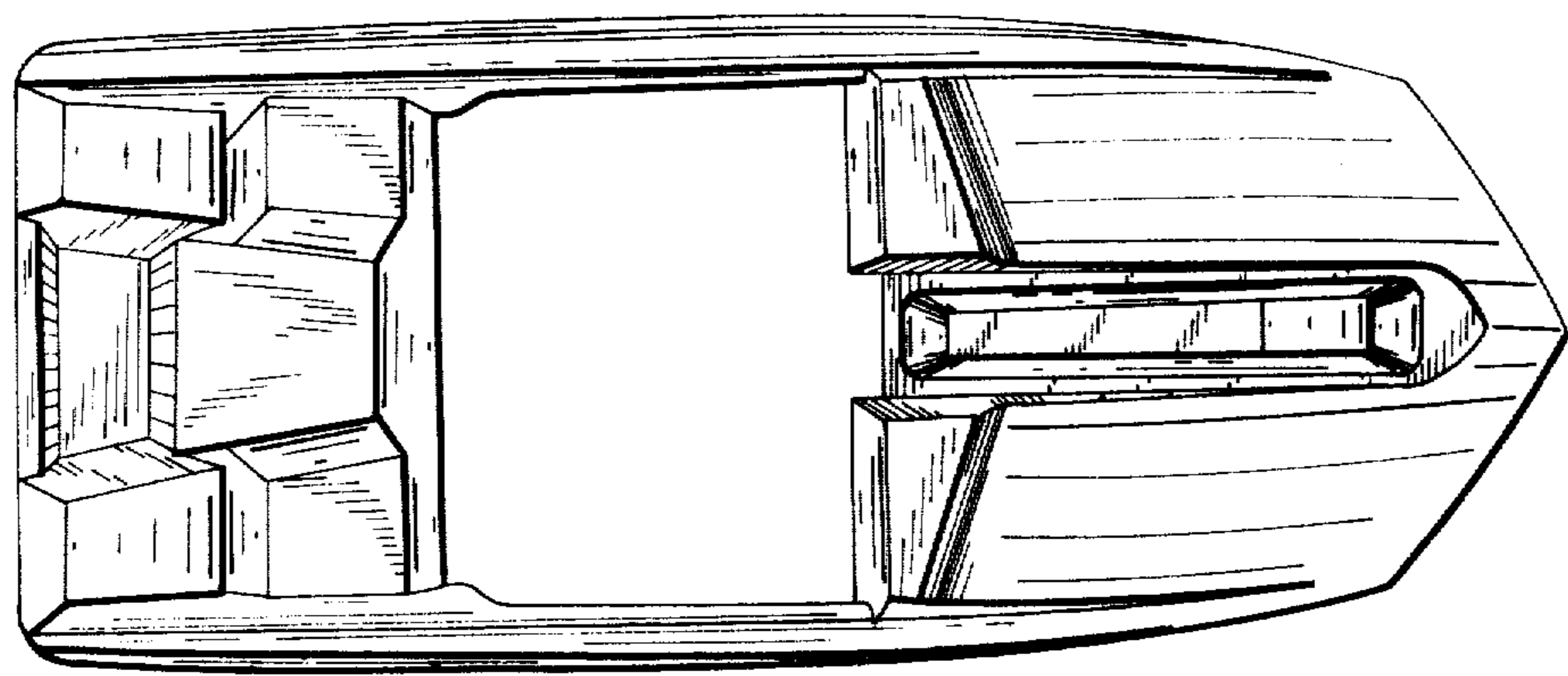
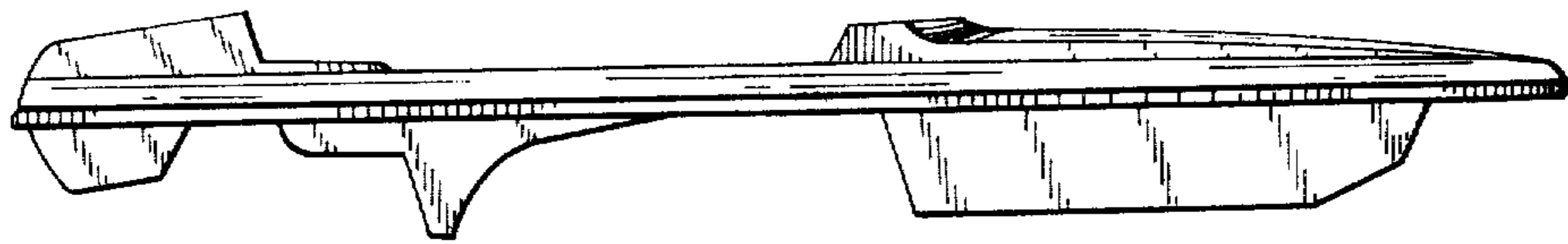


FIG. 4