

[54] DUAL THERMOSTAT TEMPERATURE AND TIME CIRCUIT CONTROL ASSEMBLY

[75] Inventor: William H. Johnson, Harrisonburg, Va.

[73] Assignee: Shenandoah Manufacturing Co. Inc., Harrisonburg, Va.

[**] Term: 14 Years

[21] Appl. No.: 153,728

[22] Filed: May 27, 1980

[51] Int. Cl. D10-04

[52] U.S. Cl. D10/50

[58] Field of Search 368/10; 236/20, 91 R, 236/91 A; 337/380; D10/50, 57, 49, 51, 52

[56] References Cited

U.S. PATENT DOCUMENTS

- D. 203,945 3/1966 Them D10/50
- D. 237,867 12/1975 Manecke D10/50
- D. 238,414 1/1976 Stearley D10/50

- D. 242,230 11/1976 Manecke et al. D10/50
- 3,995,245 11/1976 Manecke et al. 337/380

Primary Examiner—Robert C. Spangler
Attorney, Agent, or Firm—Mason, Fenwick & Lawrence

[57] CLAIM

The ornamental design for a dual thermostat temperature and timer circuit control assembly, as shown and described.

DESCRIPTION

FIG. 1 is a front perspective view of a dual thermostat temperature and timer circuit control assembly, showing my new design;
 FIG. 2 is a front elevational view thereof;
 FIG. 3 is a side elevational view thereof, viewed from the right of FIG. 2;
 FIG. 4 is a side elevational view of the opposite side thereof, viewed from the left of FIG. 2;
 FIG. 5 is a rear view thereof;
 FIG. 6 is a top plan view thereof; and
 FIG. 7 is a bottom view thereof.

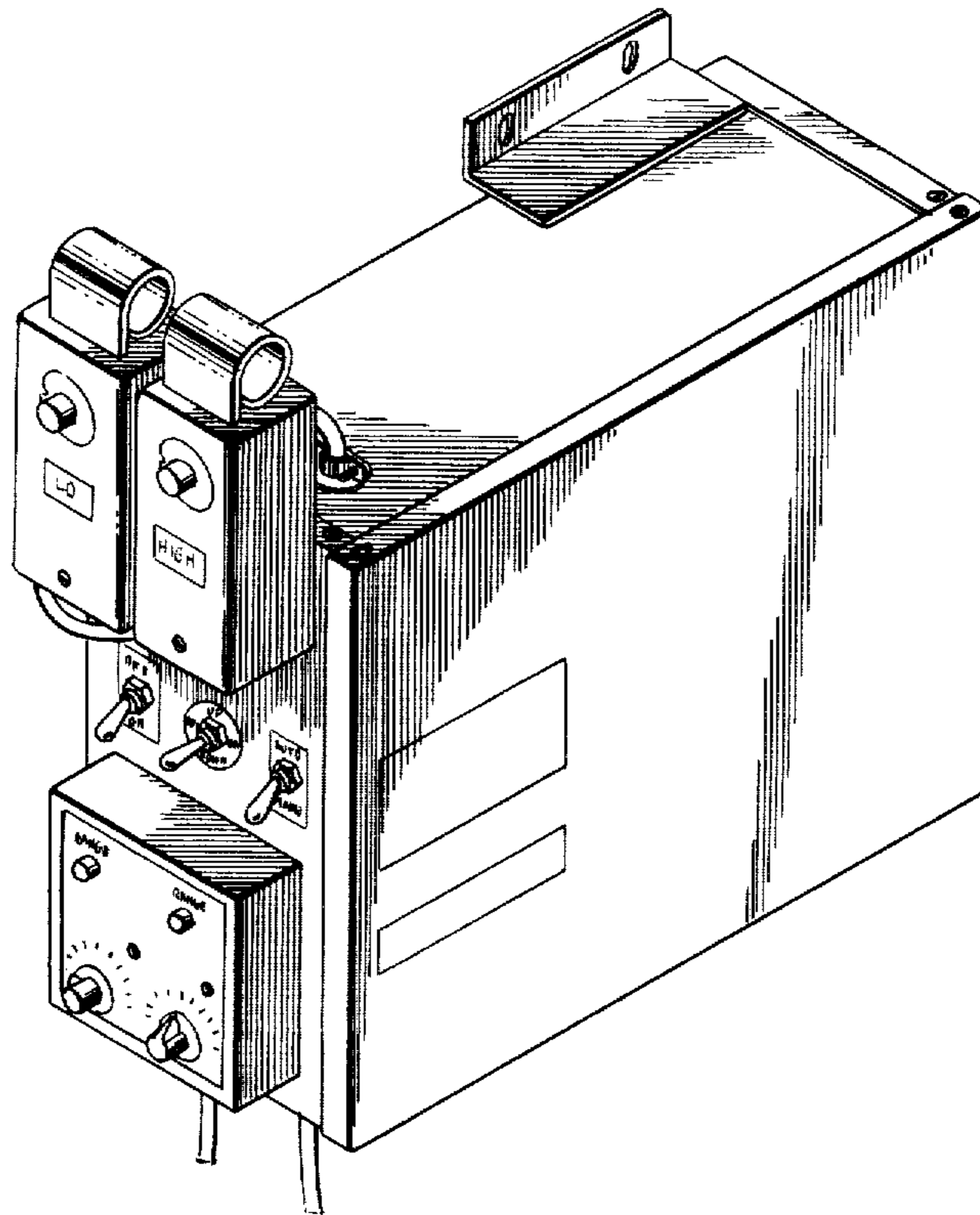


Fig-1

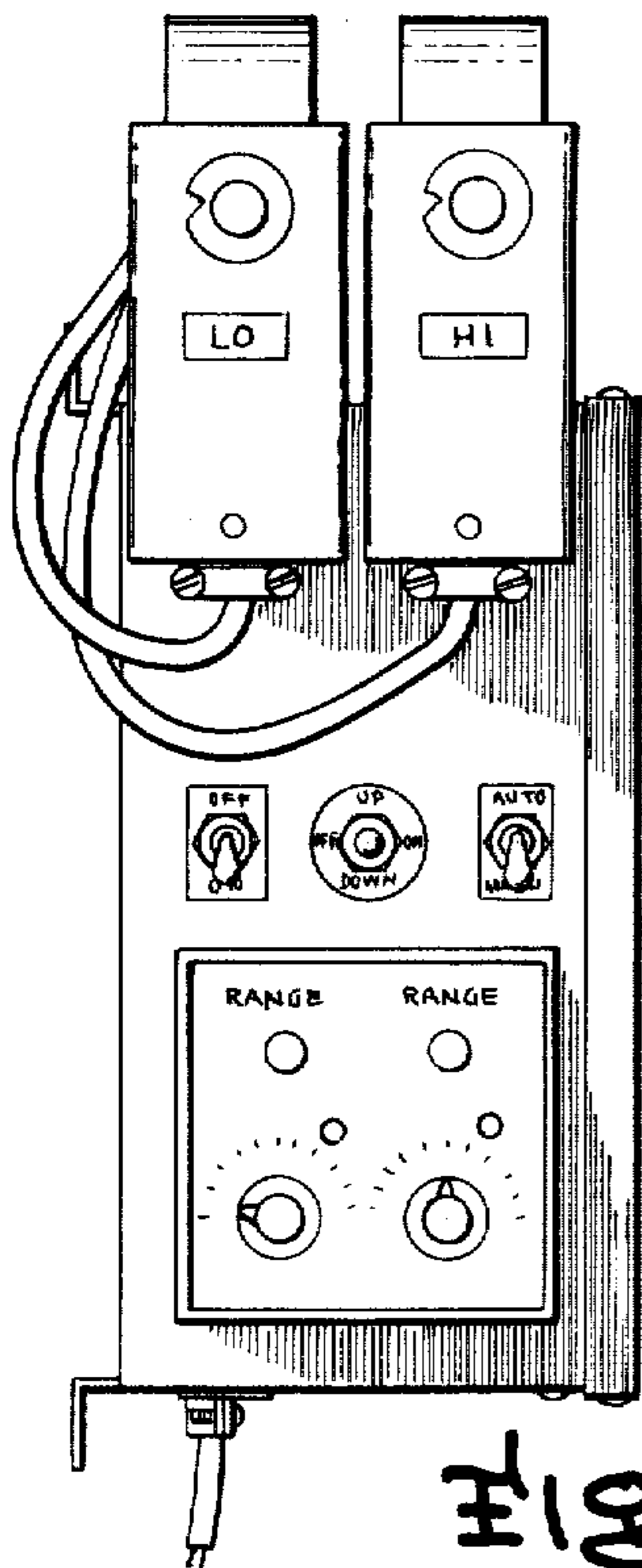
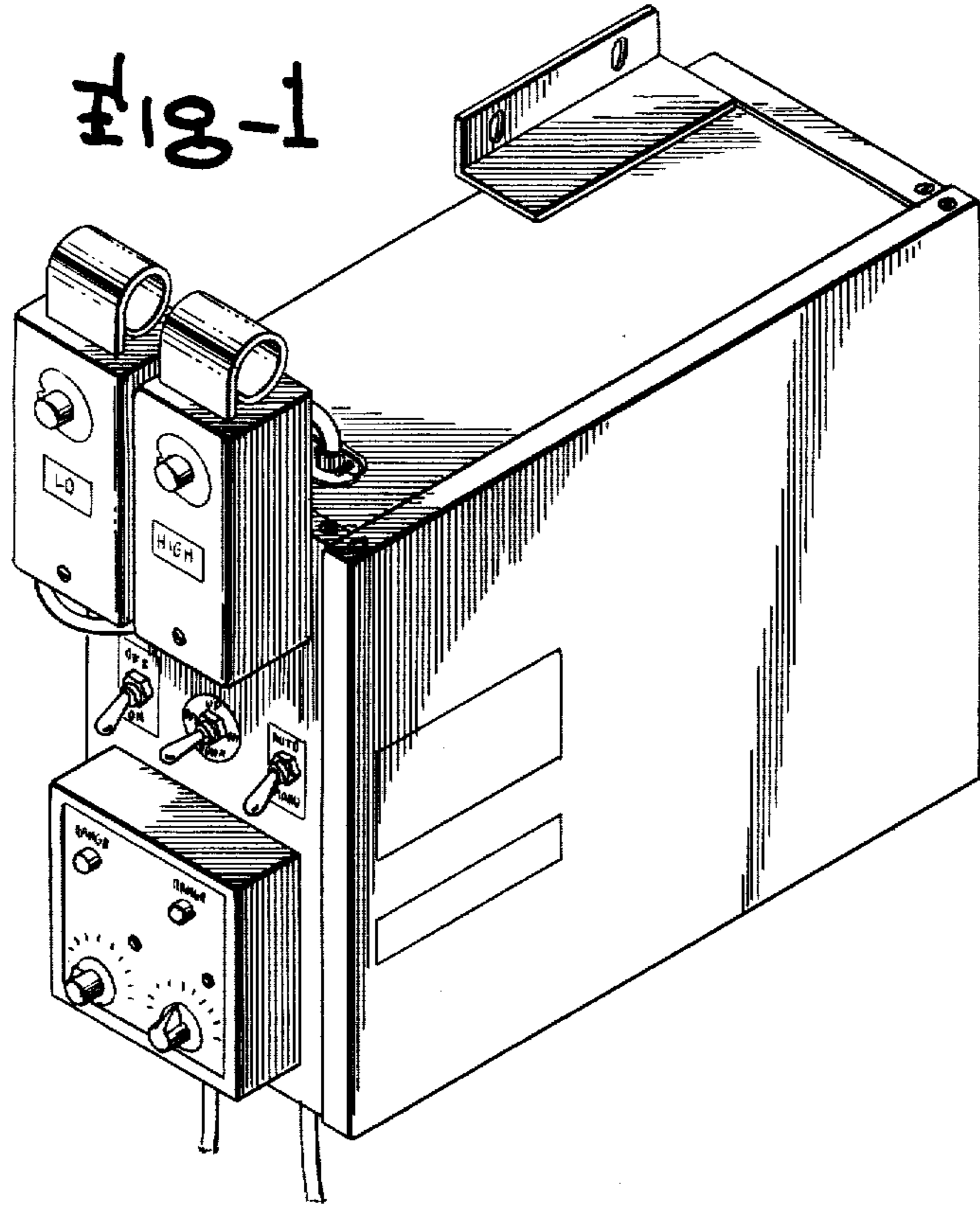
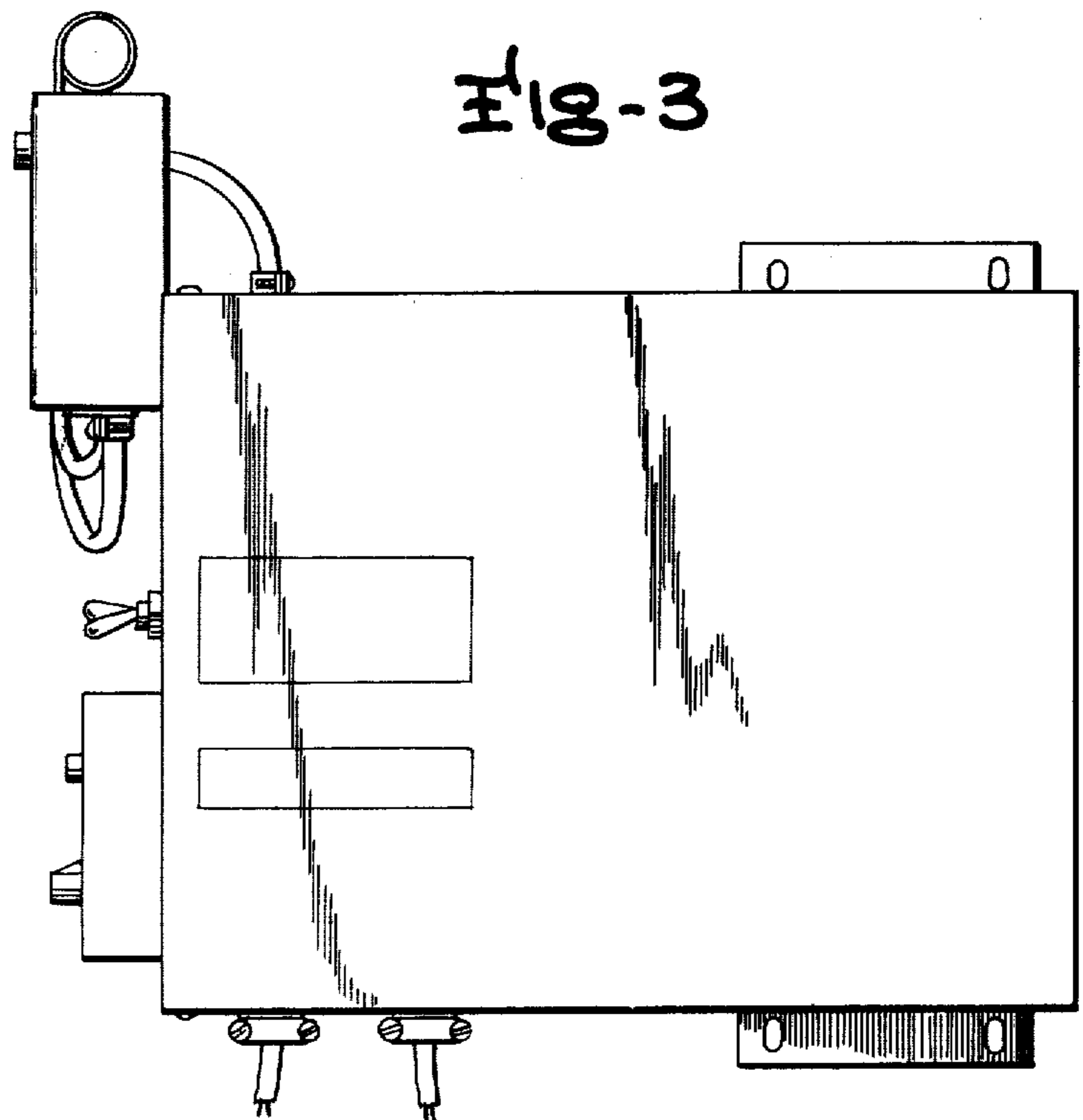


Fig-2

Fig-3



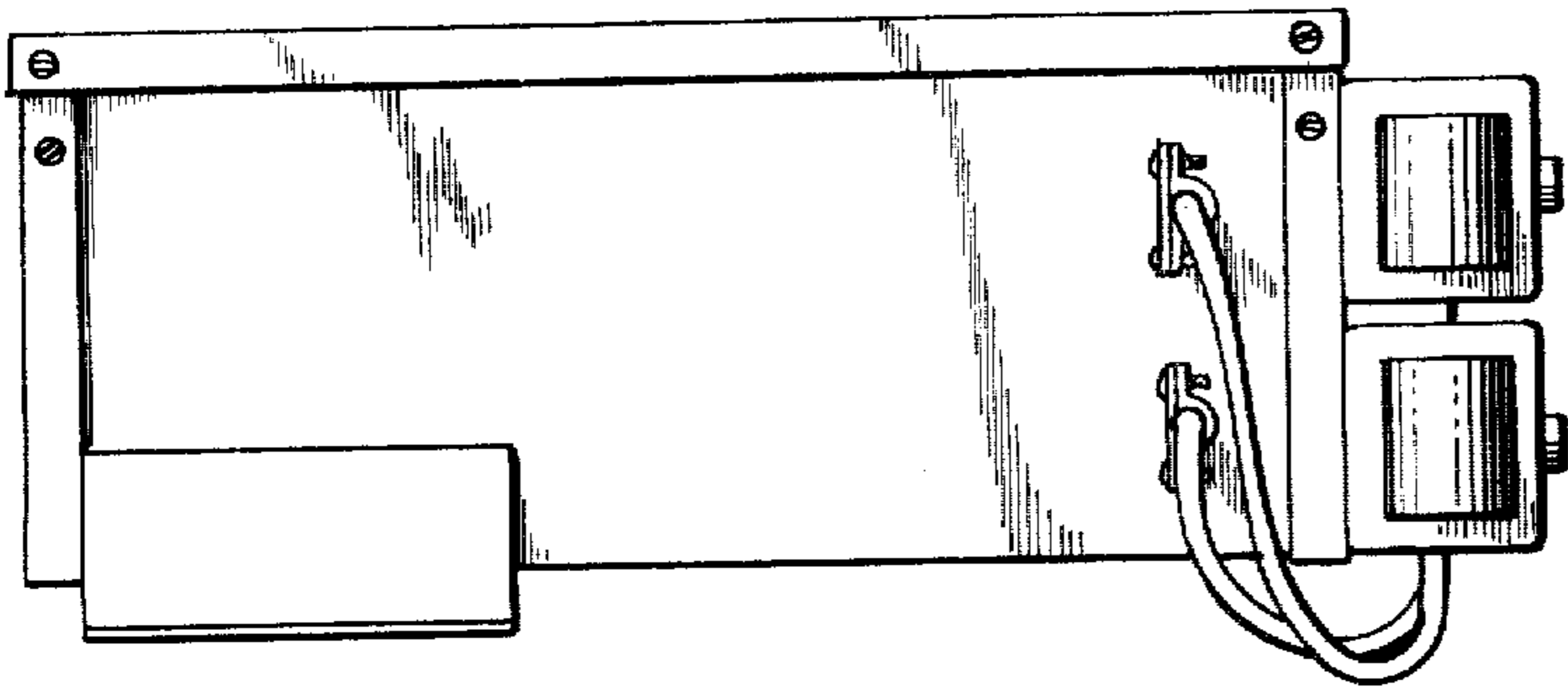


Fig-6

Fig-4

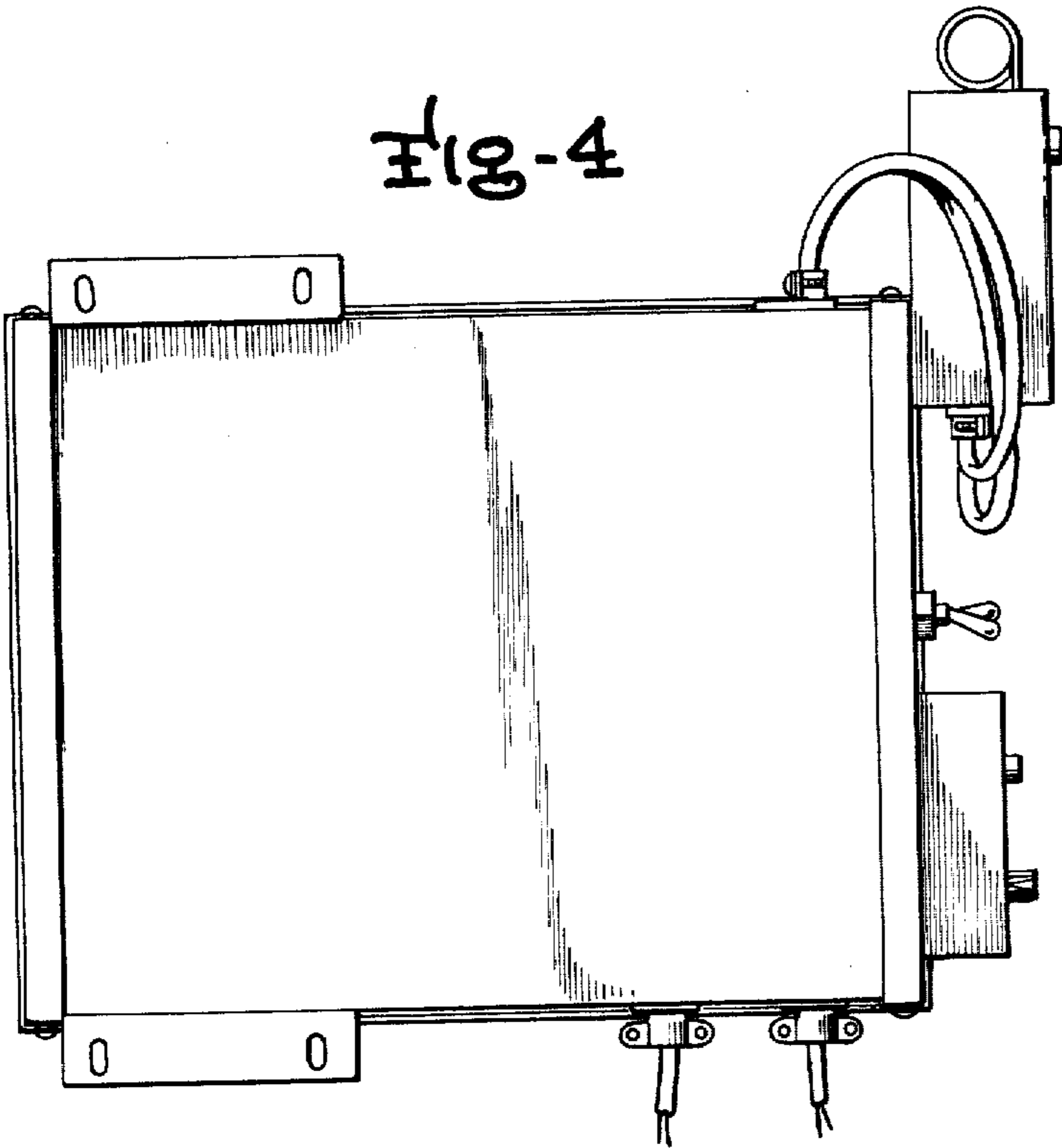


Fig-5

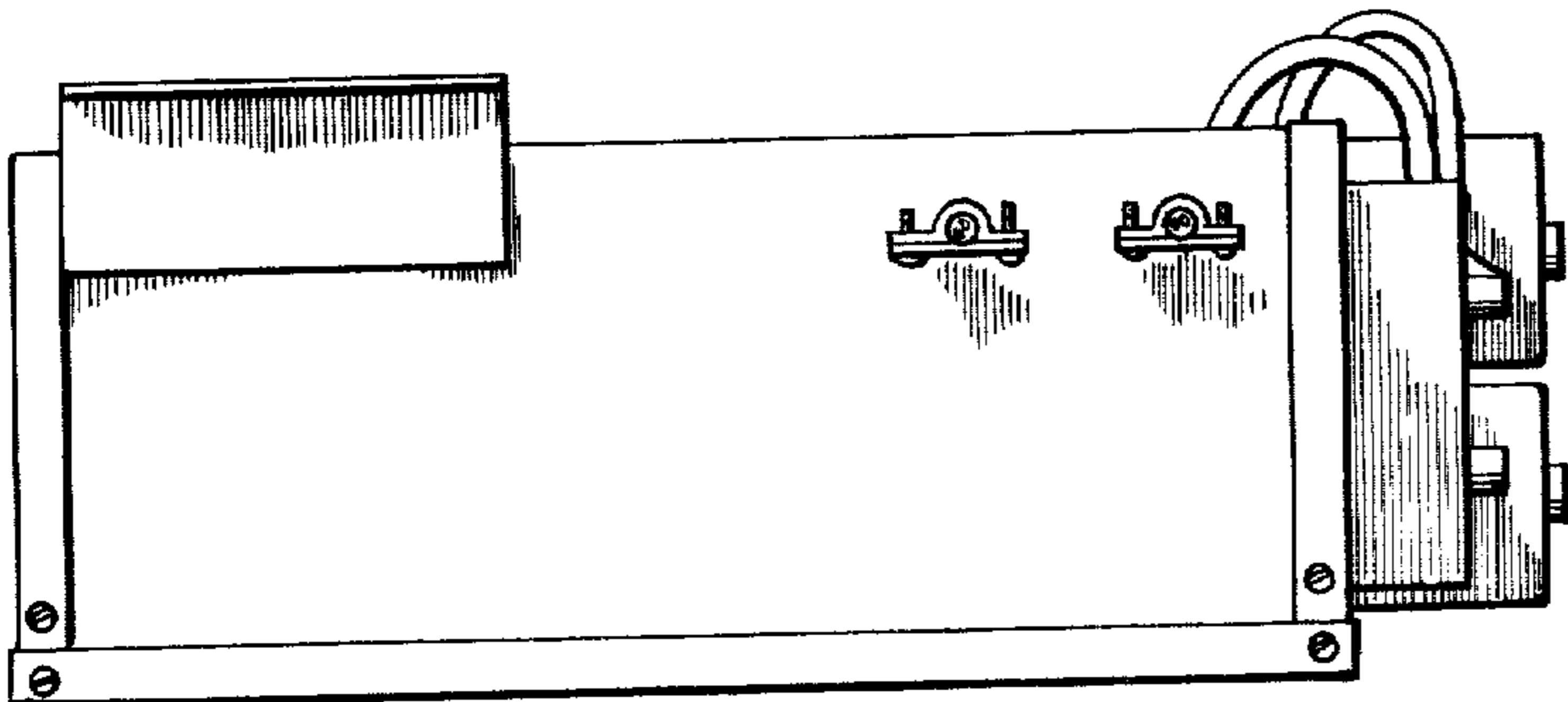


Fig-7