

[54] **LOG LIFTER**

[76] Inventor: **James M. Feighery**, 716 Mt. Sinai Rd.  
South, Dalton, Ga. 30720

[\*\*] Term: **14 Years**

[21] Appl. No.: **118,845**

[22] Filed: **Feb. 5, 1980**

[51] Int. Cl. .... **D7-08**

[52] U.S. Cl. .... **D23/138.2**

[58] Field of Search ..... **D7/210; 294/9-16,**  
**294/34, 50.9, 58, 103 R, 117; 7/109**

[56] **References Cited**

**U.S. PATENT DOCUMENTS**

- D. 254,704 4/1980 Hammond ..... **D7/210**  
D. 258,487 3/1981 Brugger et al. .... **D7/210**

- 2,326,676 8/1943 Peters ..... 294/11  
4,117,825 10/1978 Robertson ..... 294/15 X  
4,240,657 12/1980 Feighery ..... 294/11

*Primary Examiner*—Catherine E. Kemper  
*Attorney, Agent, or Firm*—B. P. Fishburne, Jr.

[57] **CLAIM**

The ornamental design for a log lifter, as shown and described.

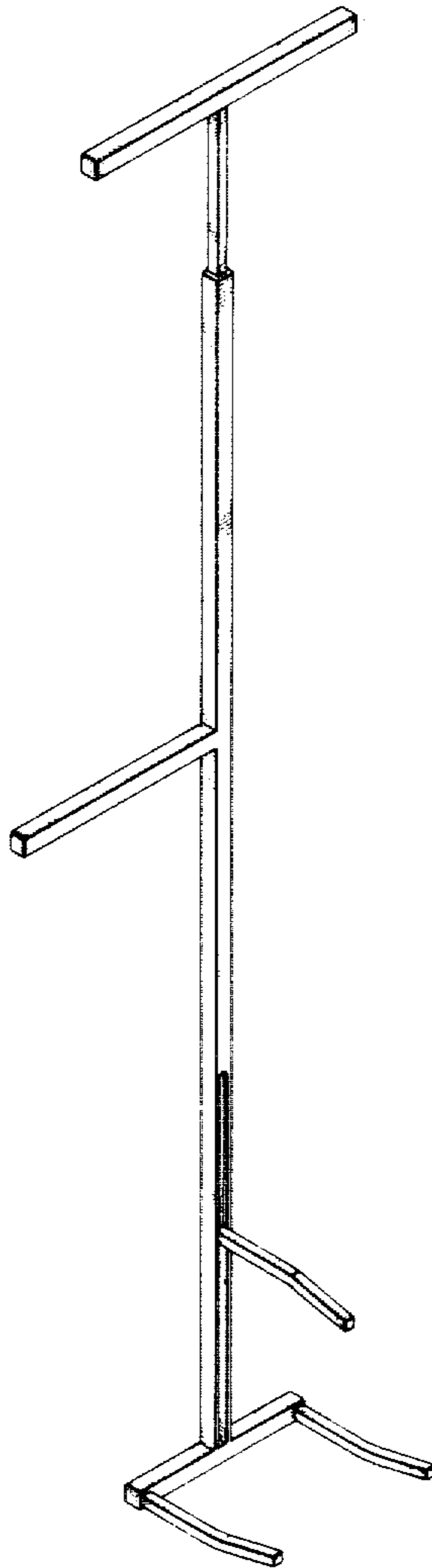
**DESCRIPTION**

FIG. 1 is a perspective view of a log lifter showing my new design.

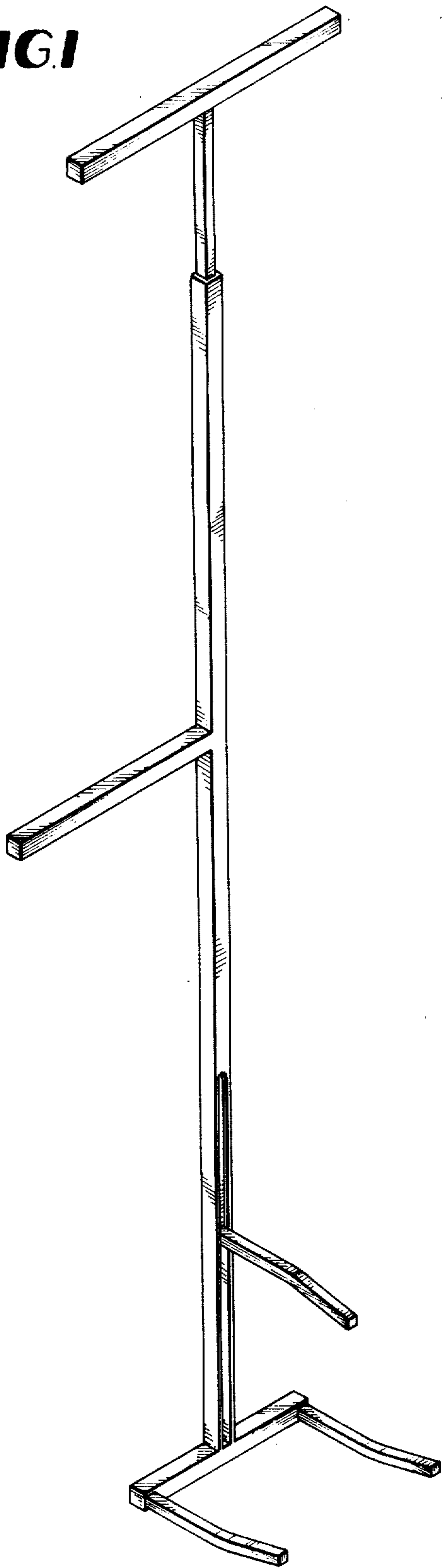
FIG. 2 is a side elevational view thereof as viewed from the rear in FIG. 1.

FIG. 3 is a side elevational view thereof as viewed from the left hand side of FIG. 2.

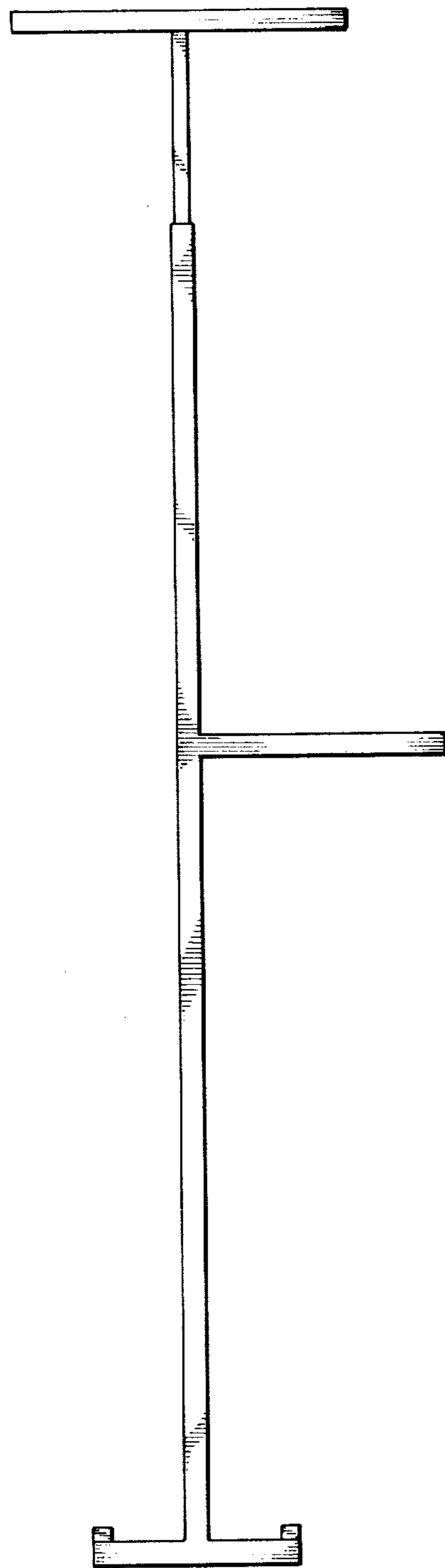
FIG. 4 is an end elevational view thereof.



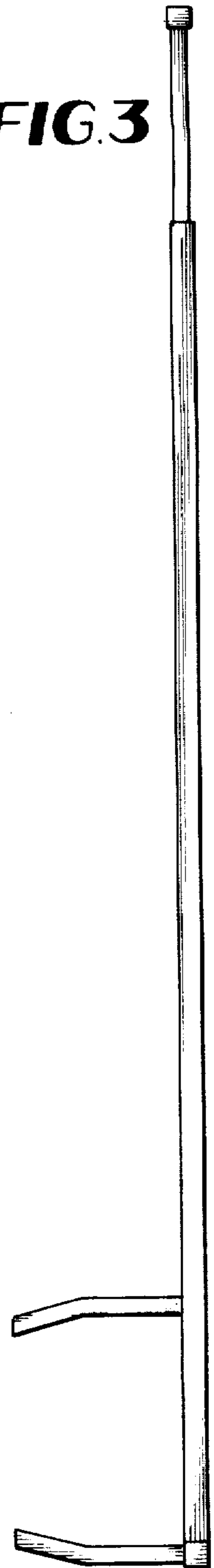
**FIG. 1**



**FIG. 2**



**FIG. 3**



**FIG. 4**

