

[54] HANDLE FOR A LID OF COOKING VESSELS

[75] Inventor: Jean-Pierre Lefevre, Annecy, France

[73] Assignee: Tefal S.A., Rumilly, France

[\*\*] Term: 14 Years

[21] Appl. No.: 174,261

[22] Filed: Jul. 31, 1980

[30] Foreign Application Priority Data

Feb. 7, 1980 [FR] France ..... 800253

[51] Int. Cl. .... D07-02

[52] U.S. Cl. .... D7/393; D8/311

[58] Field of Search ..... D8/307, 311; D7/131, D7/132, 86, 97, 65

[56] References Cited

U.S. PATENT DOCUMENTS

D. 160,648	10/1950	Muller-Munk	.....	D7/131
D. 202,062	8/1965	Yamazaki	.....	D7/97
D. 209,073	10/1967	Martin	.....	D7/65
D. 225,204	11/1972	Kendrick	.....	D8/311
D. 229,012	11/1973	Wooters	.....	D7/65

OTHER PUBLICATIONS

*Home Appliance Builder*, Sep. 1959, p. 48, Rogan Brothers Adv., New Knobs, bottom panel, top center Knob in panel.

*Modern Plastics*, Sep. 1959, p. 771, Harry Davies Molding Co., bottom row, Knob at right of center line.

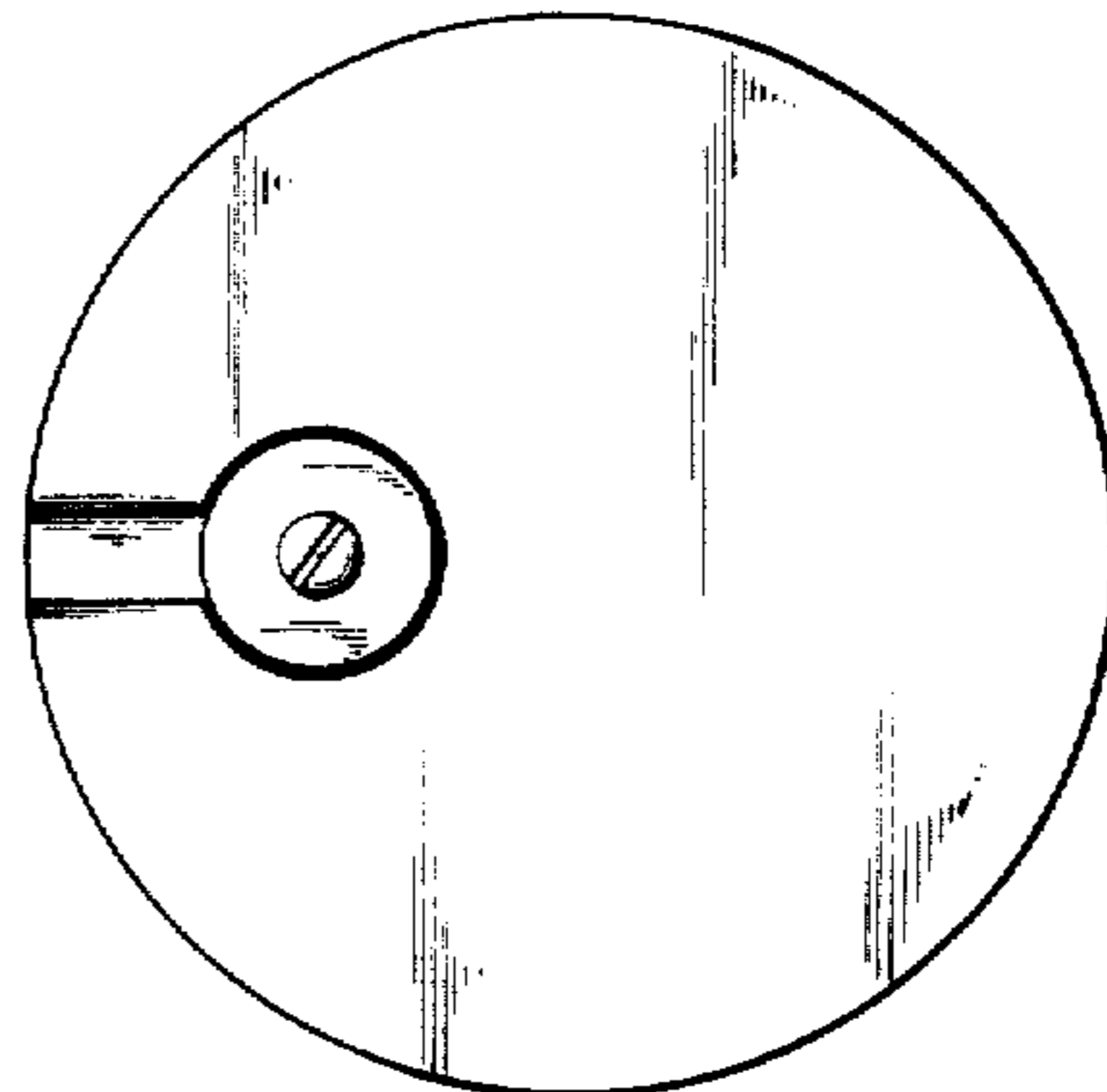
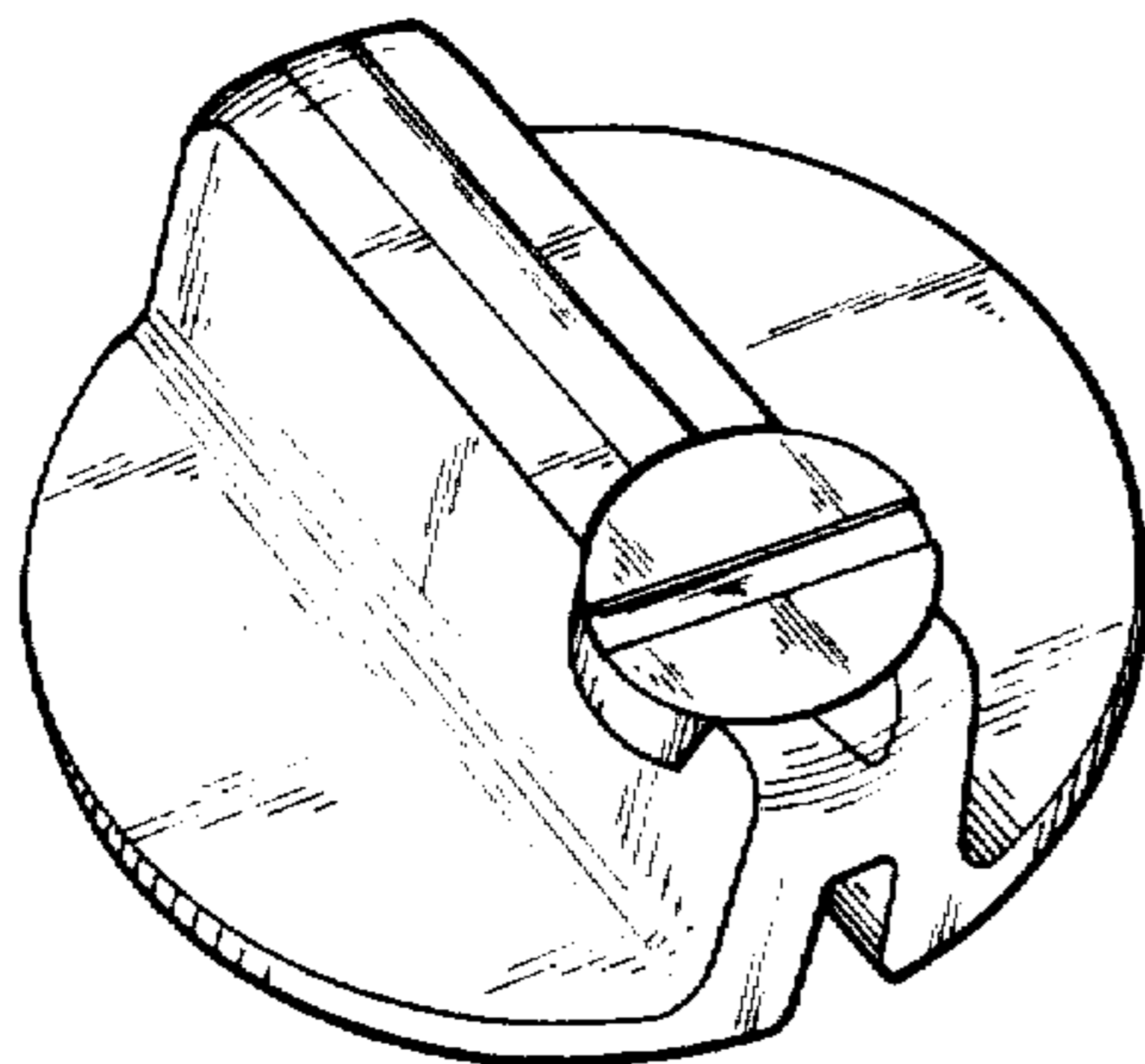
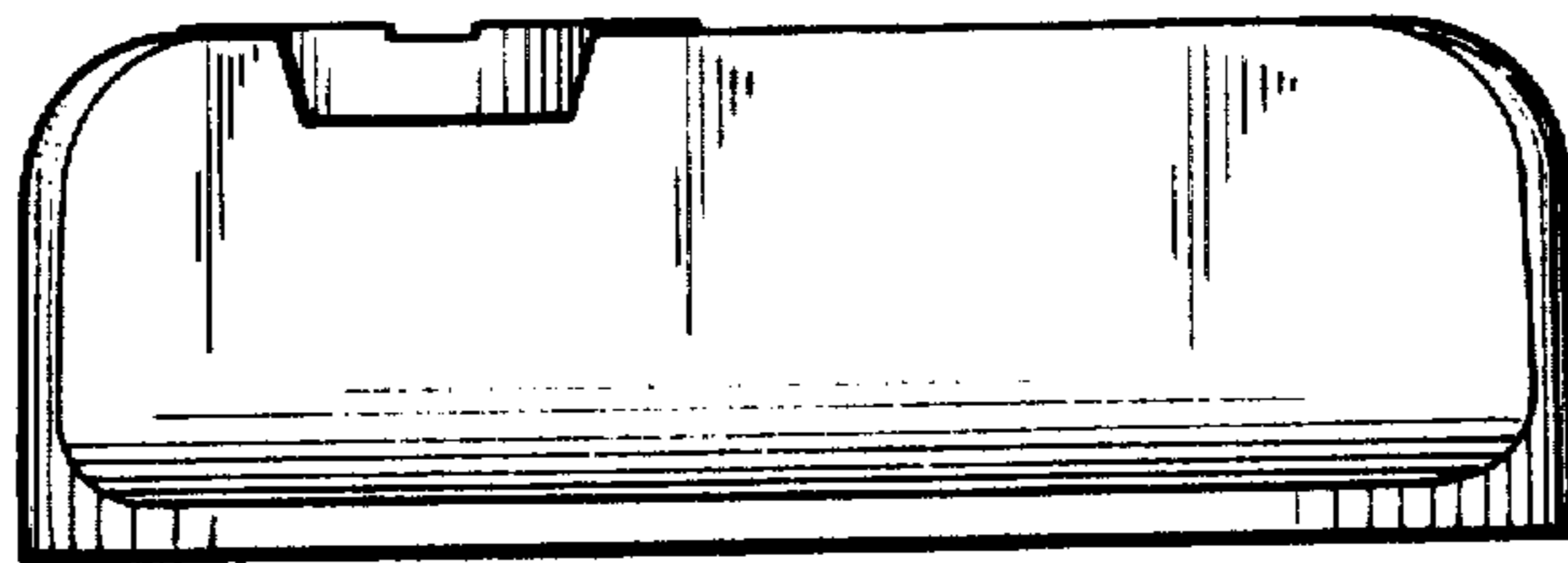
*Primary Examiner*—Winifred E. Herrmann  
*Attorney, Agent, or Firm*—Young & Thompson

[57] CLAIM

The ornamental design for a handle for a lid of cooking vessels, as shown.

DESCRIPTION

FIG. 1 is an elevational view of a handle for a lid of cooking vessels, showing my new design, FIG. 2 is an elevational view opposite FIG. 1, FIG. 3 is an elevational view of the side being on the right on FIG. 1, FIG. 4 is an elevational view of the side opposite FIG. 3, FIG. 5 is a top plan view thereof, FIG. 6 is a bottom plan view thereof, FIG. 7 is a three quarter perspective view thereof.



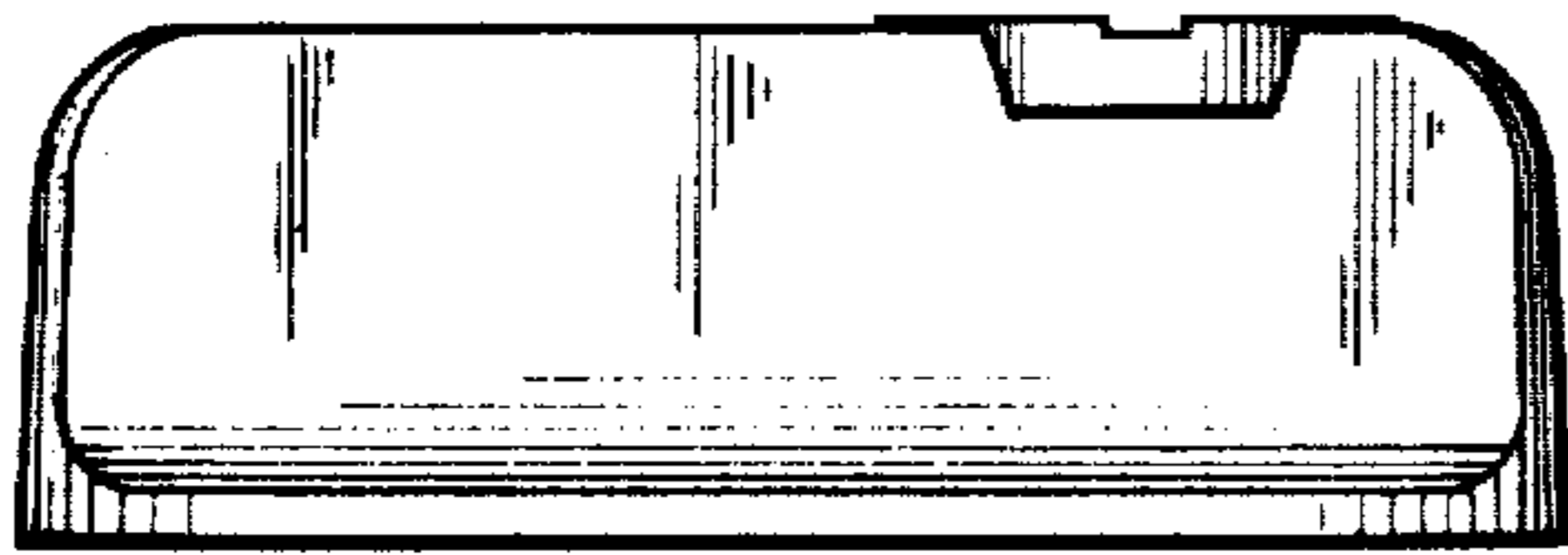


FIG. 1

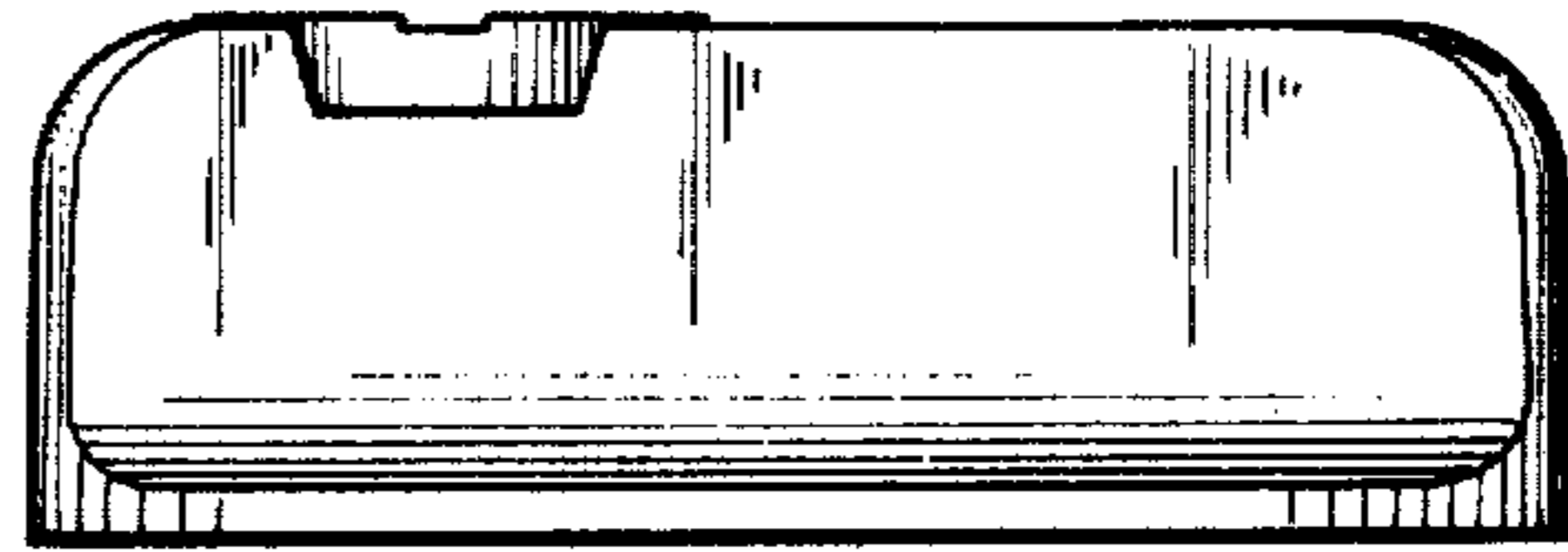


FIG. 2

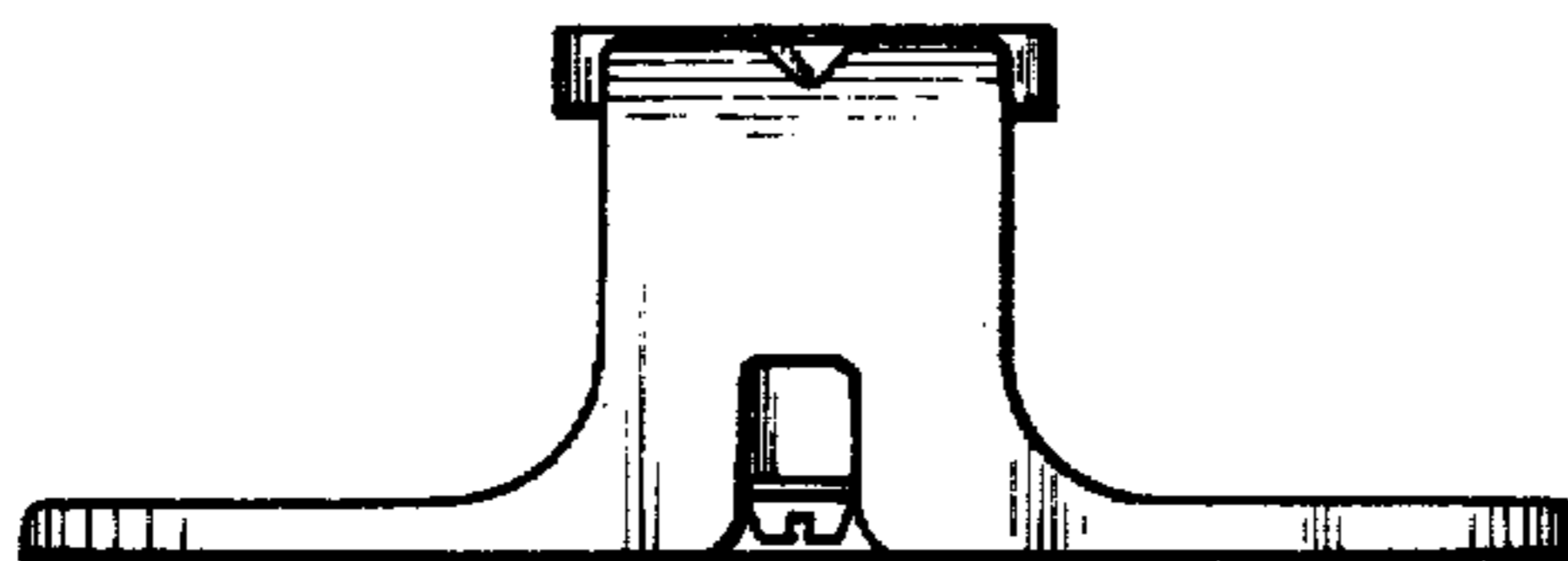


FIG. 3

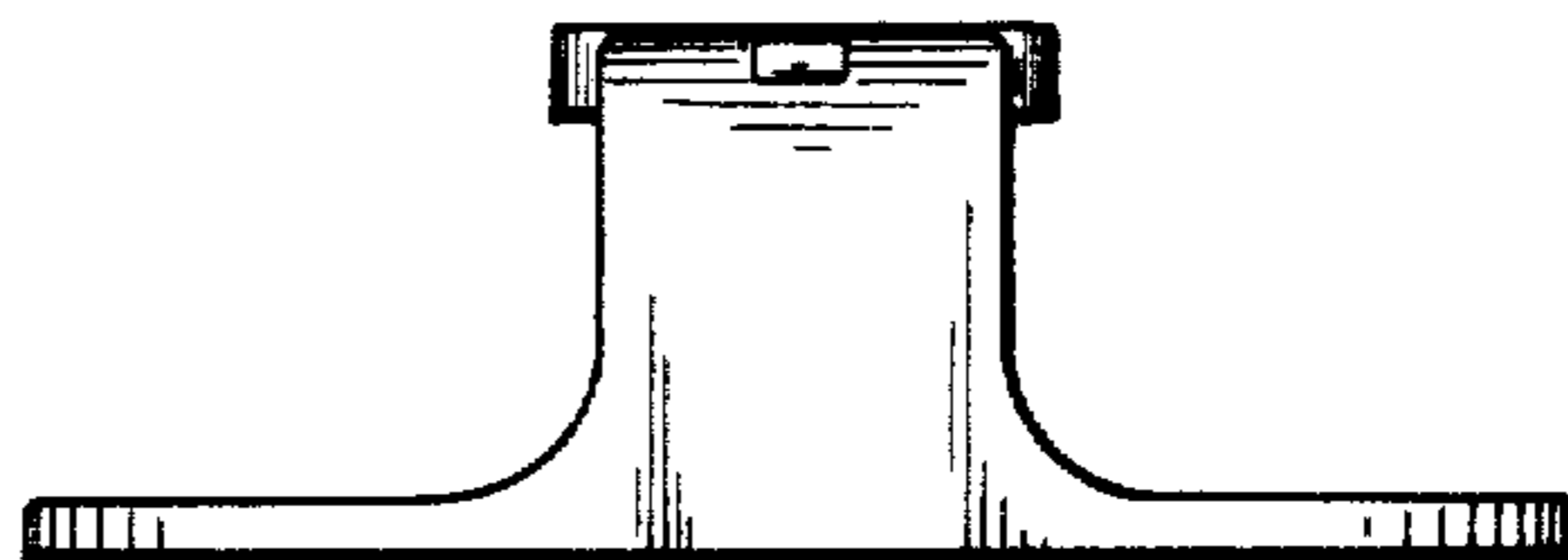


FIG. 4

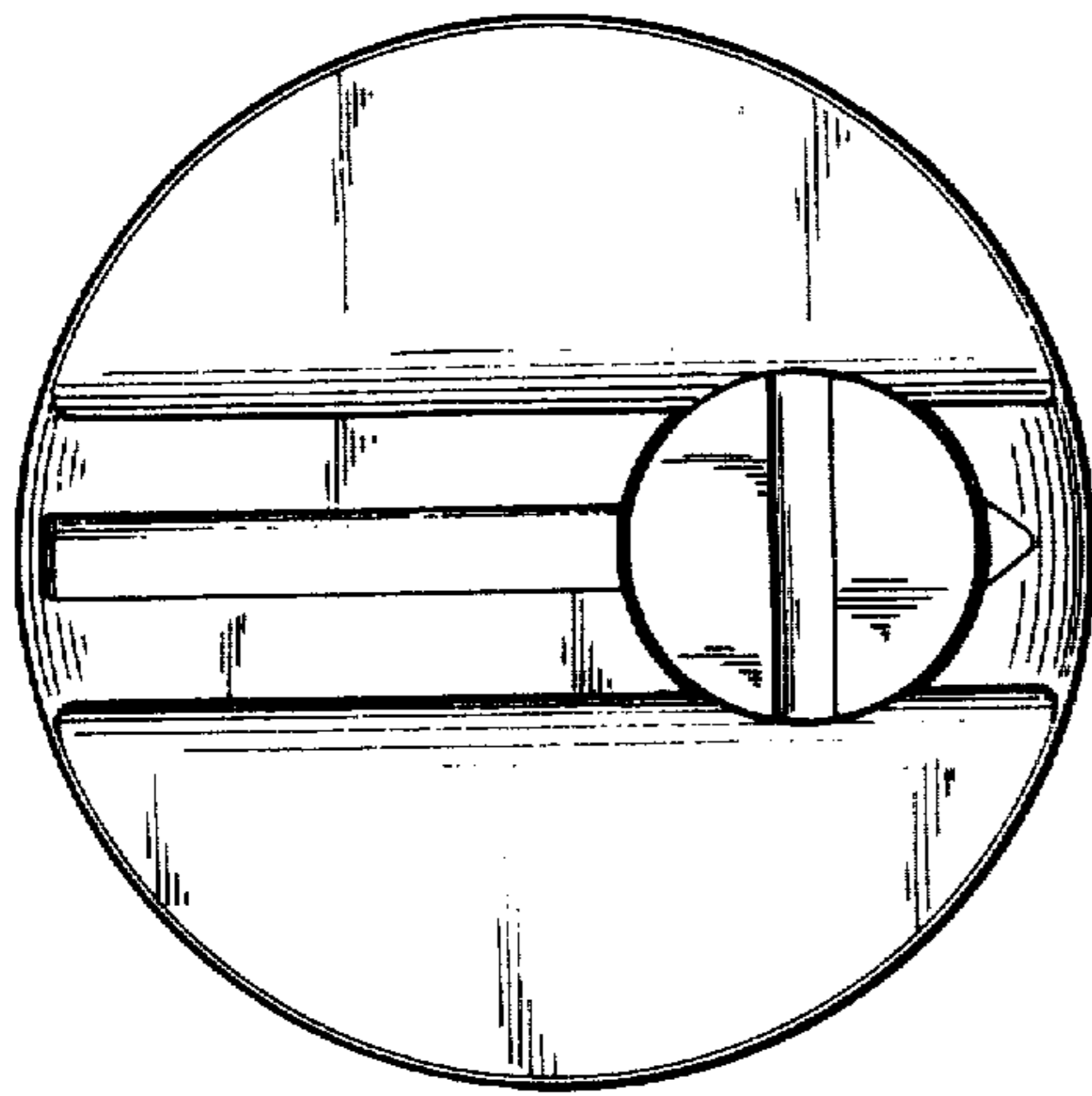


FIG. 5

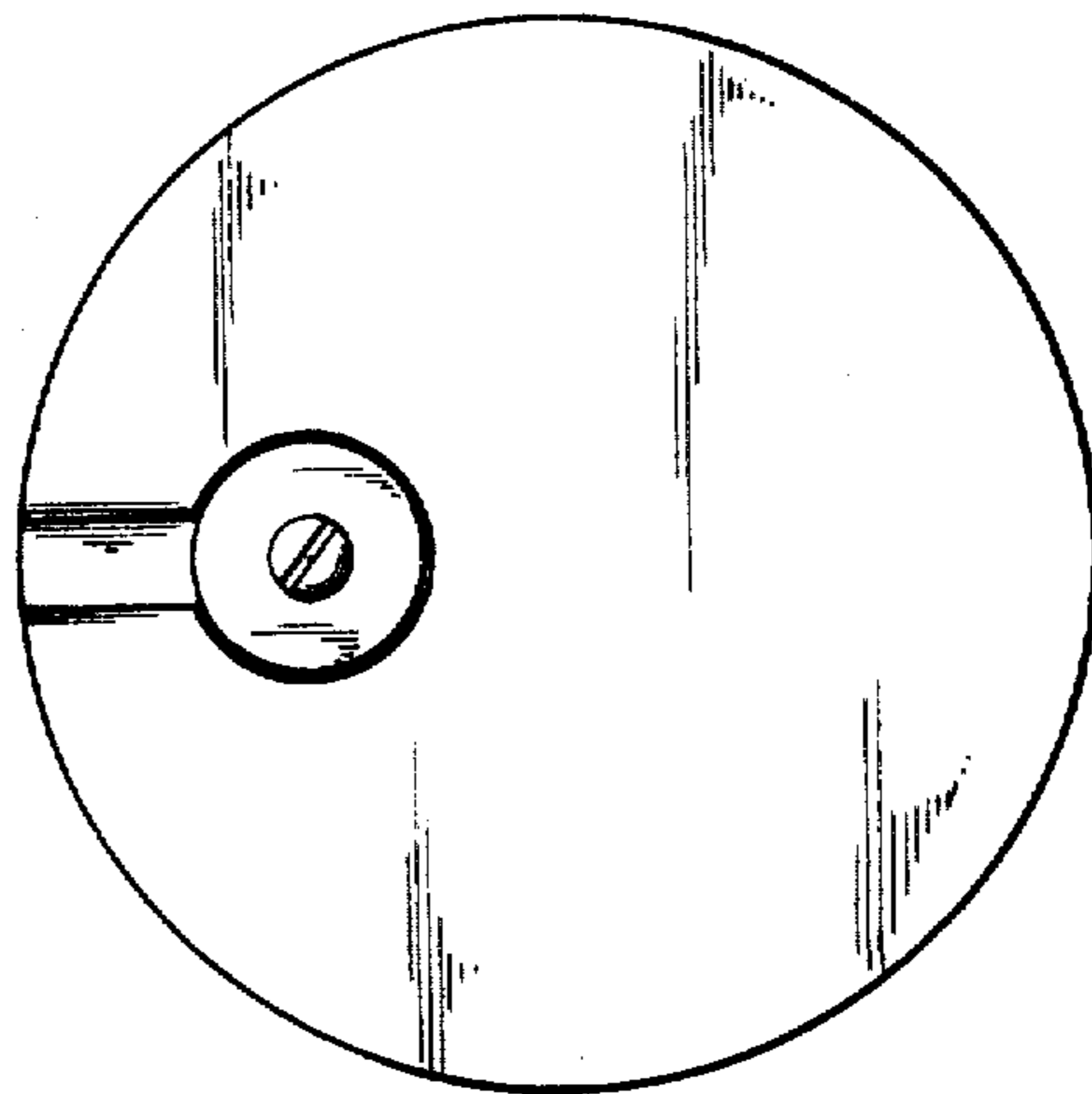


FIG. 6

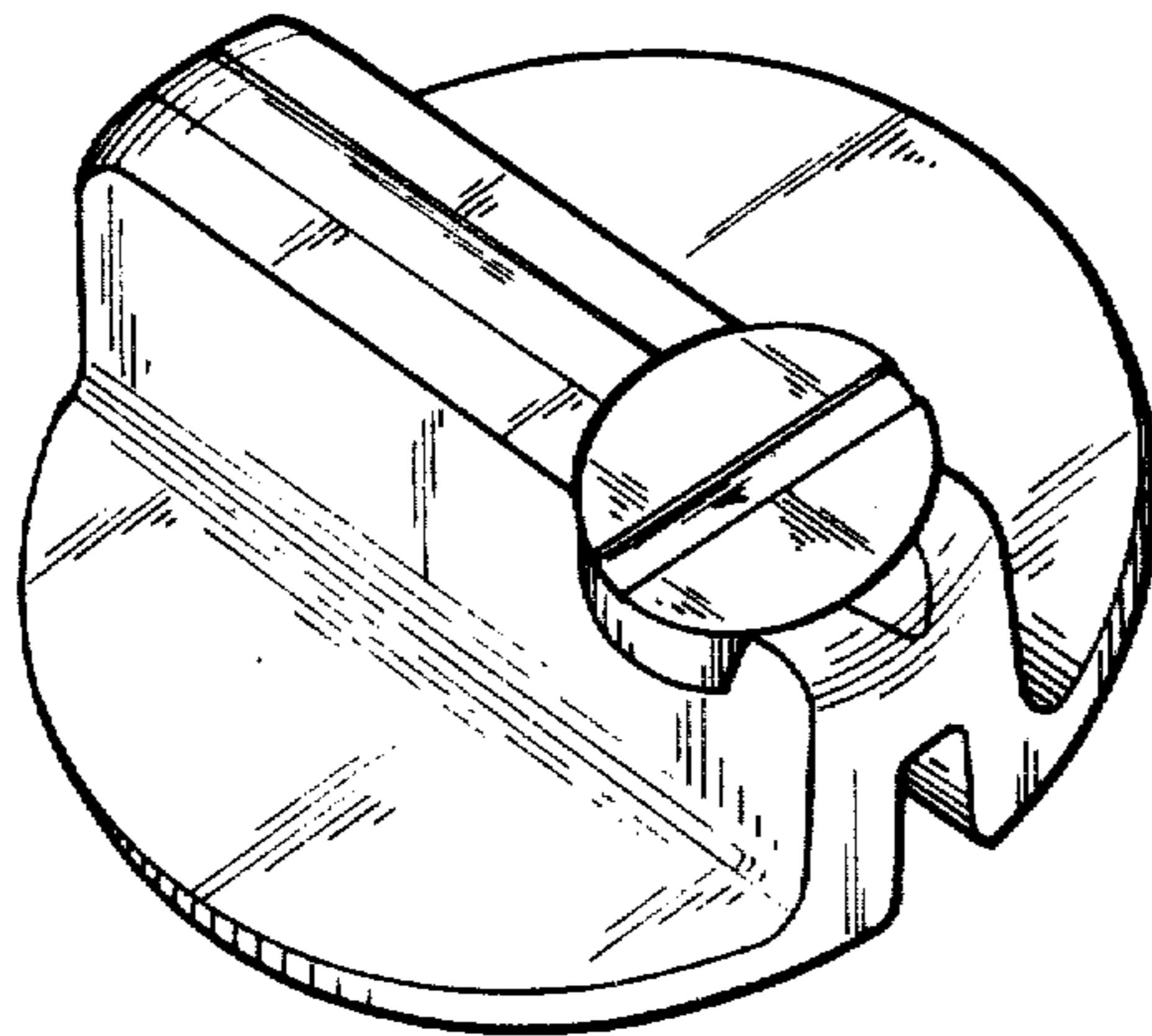


FIG. 7