

[54] DINNER PLATE
[75] Inventor: Alfred Blake, Hillsdale, N.J.
[73] Assignee: American Commercial Incorporated,
Gardena, Calif.
[**] Term: 14 Years
[21] Appl. No.: 154,752
[22] Filed: May 30, 1980
[51] Int. Cl. D07—01
[52] U.S. Cl. D7/30
[58] Field of Search D7/27, 29, 30, 31, 32,
D7/23, 26, 33, 34, 35, 36, 39; D64/2 R; D92/1
N, 1 BB, 1 Q

D. 79,101 7/1929 Rhead D7/30
D. 79,668 10/1929 Robinson D7/30

OTHER PUBLICATIONS

Tableware International, Aug., 1977, p. 16, Panel #4,
Basket Weave Style Pattern, Dishes shown, bottom r.
panel.

Primary Examiner—Winifred E. Herrmann
Attorney, Agent, or Firm—Daley & Brandt

[57] CLAIM

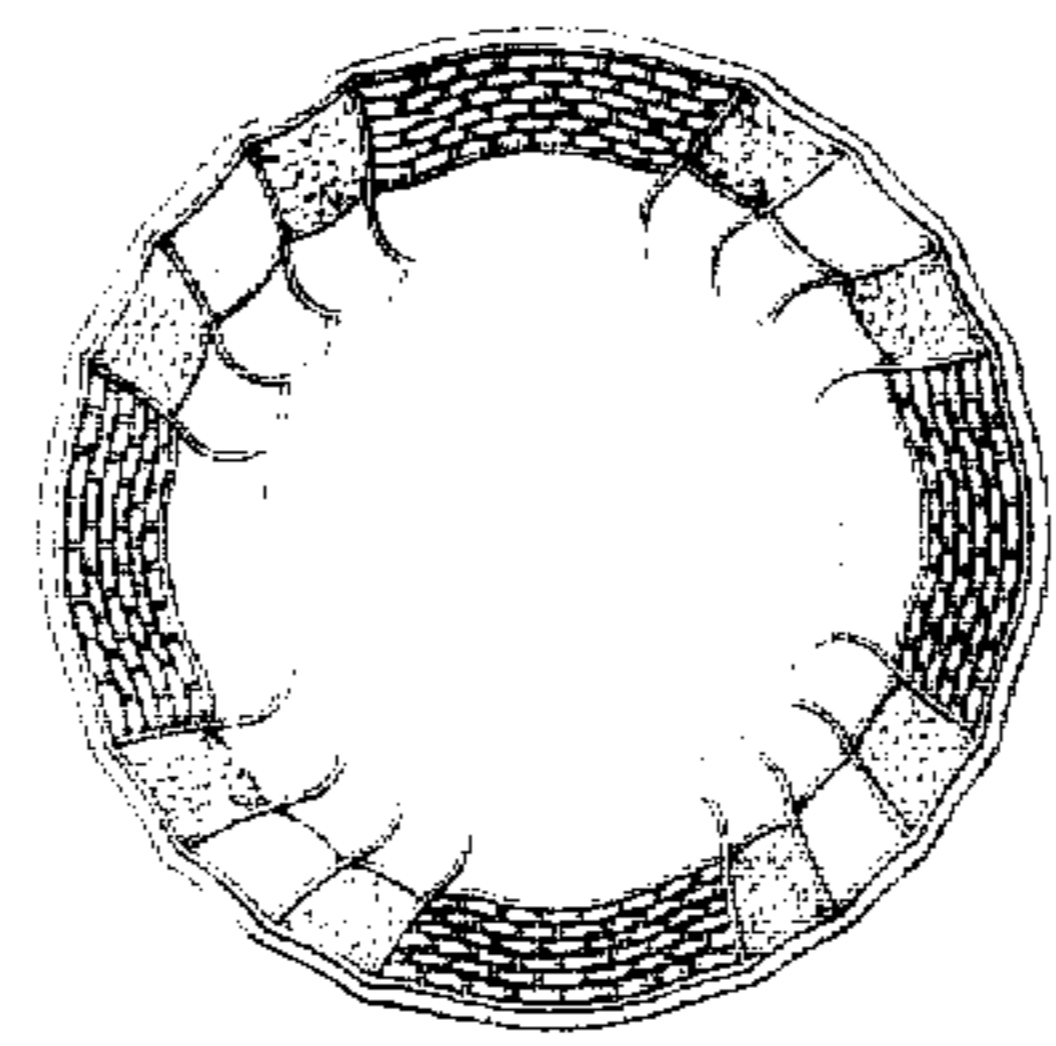
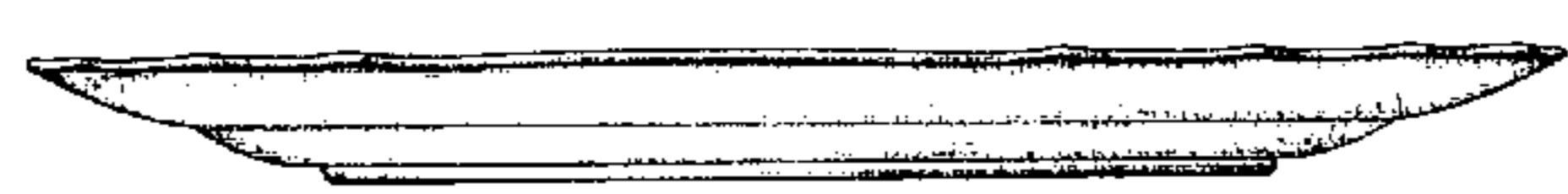
The ornamental design for a dinner plate, as shown and
described.

DESCRIPTION

FIG. 1 is a perspective view of a dinner plate showing
my new design;
FIG. 2 is a side elevational view thereof, the opposite
side and the adjacent end sides being substantially simi-
lar thereto;
FIG. 3 is a top plan view thereof shown on a reduced
scale from that used in FIGS. 1 and 2; and
FIG. 4 is a bottom plan view thereof shown to the same
scale as used in FIG. 3.

[56] References Cited
U.S. PATENT DOCUMENTS

D. 45,280 2/1914 Wigley D7/31
D. 63,131 10/1923 Fiek D7/30
D. 63,656 12/1923 Pitcairn D7/36
D. 70,221 5/1926 Goodwin D7/26
D. 78,466 5/1929 Hagmann D7/30



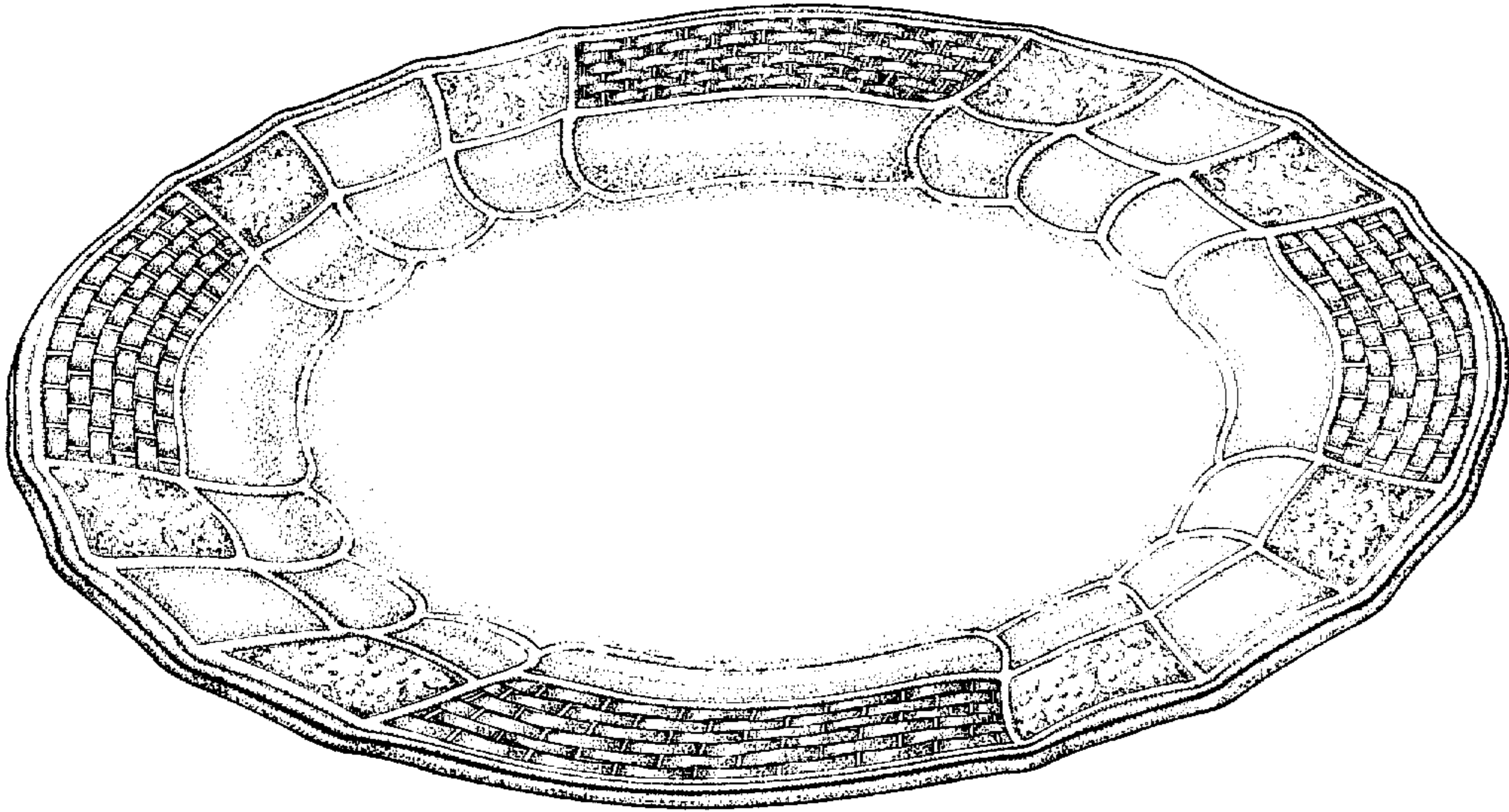


FIG. 1

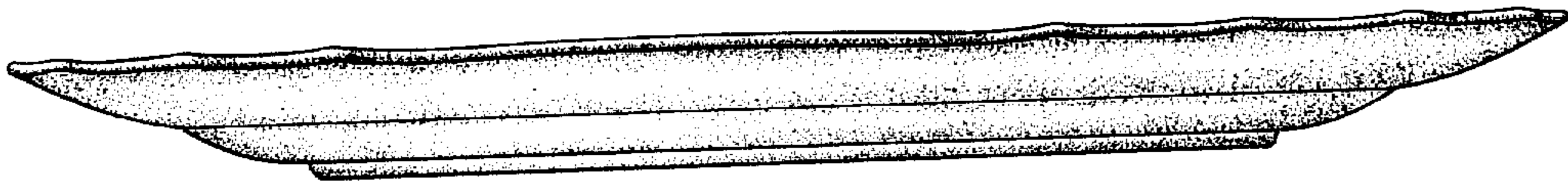


FIG. 2

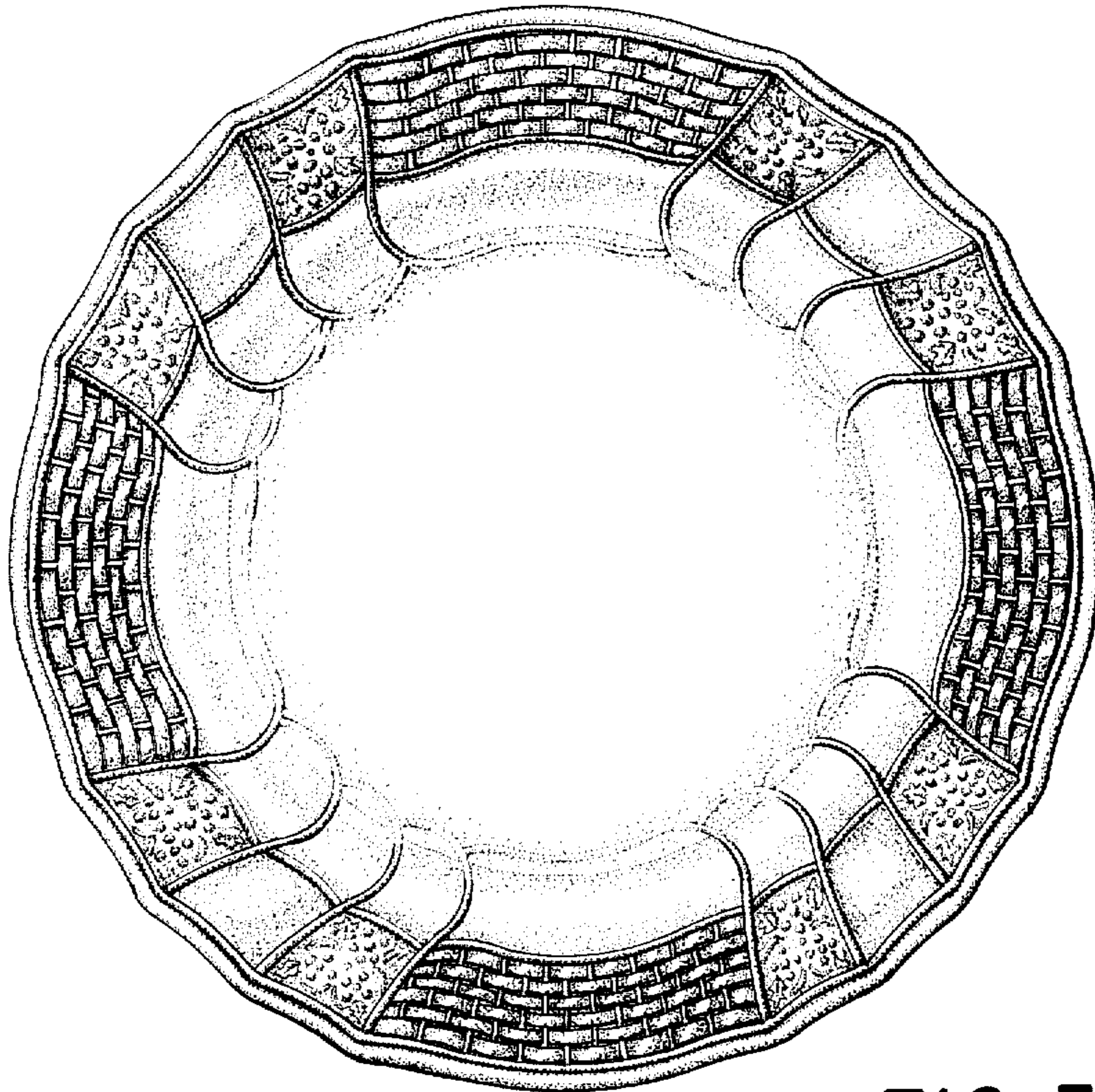


FIG. 3

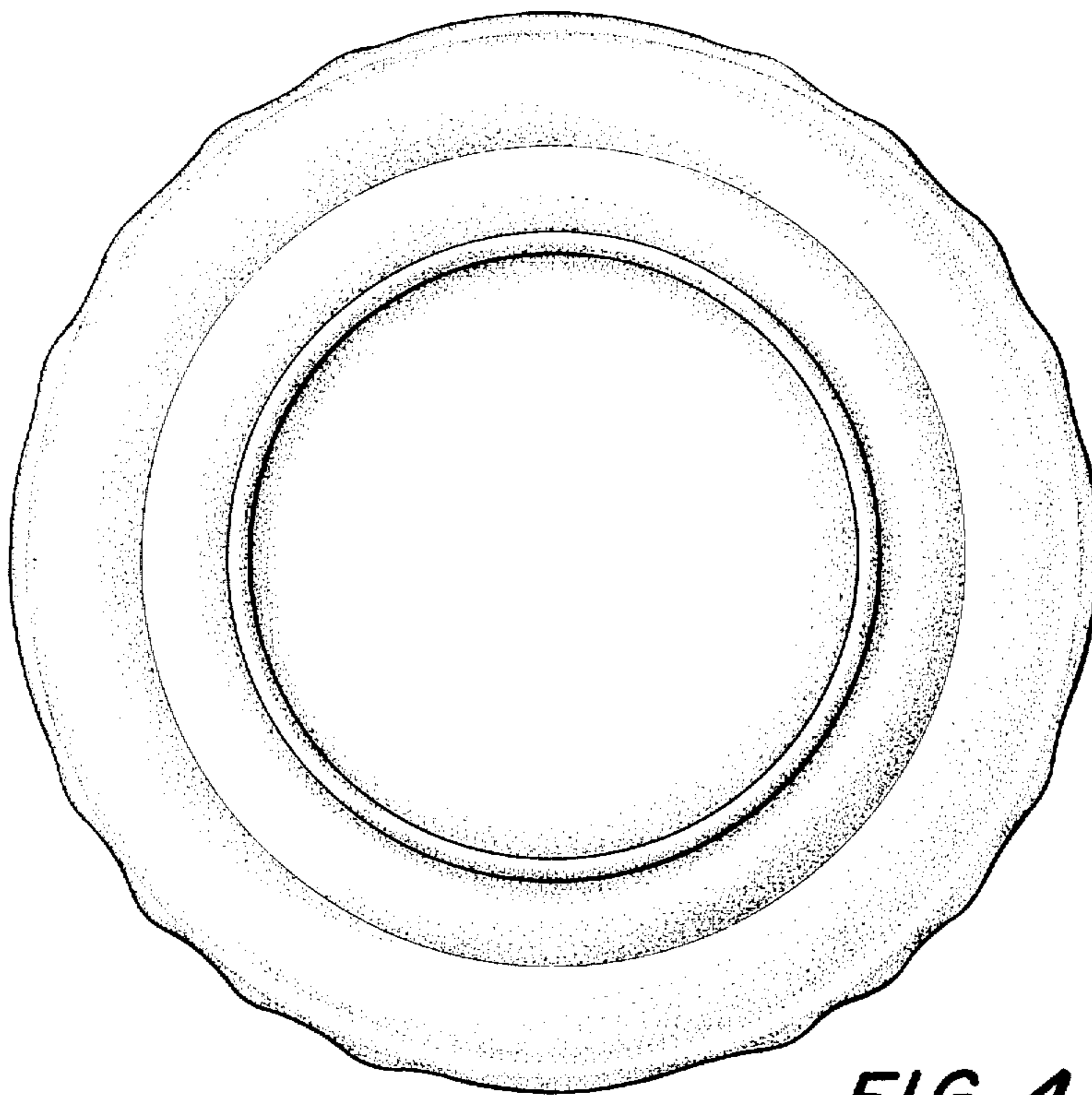


FIG. 4