

[54] DRILLING RIG ROTARY TABLE ANTI-SKID SAFETY PAD OR SIMILAR ARTICLE

[75] Inventors: **Choice R. Kinchen**, Friendswood; **Roy D. Phillips**, Edgewood, both of Tex.

[73] Assignee: **Custom Safety Products**, Friendswood, Tex.

[**] Term: **14 Years**

[21] Appl. No.: **137,615**

[22] Filed: **Apr. 7, 1980**

[51] Int. Cl. **D6—11**

[52] U.S. Cl. **D6/210; D15/21; D29/6; D92/33**

[58] Field of Search **D6/209, 210, 213, 218, D6/219; D59/2 A; 428/53; D29/6; D92/33; D15/21**

[56]

References Cited

U.S. PATENT DOCUMENTS

D. 42,327	3/1912	Huxley	D6/209
D. 118,716	1/1940	Zito	D6/209
D. 167,065	6/1952	Bohanan	D6/209
D. 190,363	5/1961	Breneman	D6/209
1,158,051	10/1915	Hopkinson	428/53 X
1,201,701	10/1916	Crane	D59/2 A

Primary Examiner—Jane E. Corrigan

[57]

CLAIM

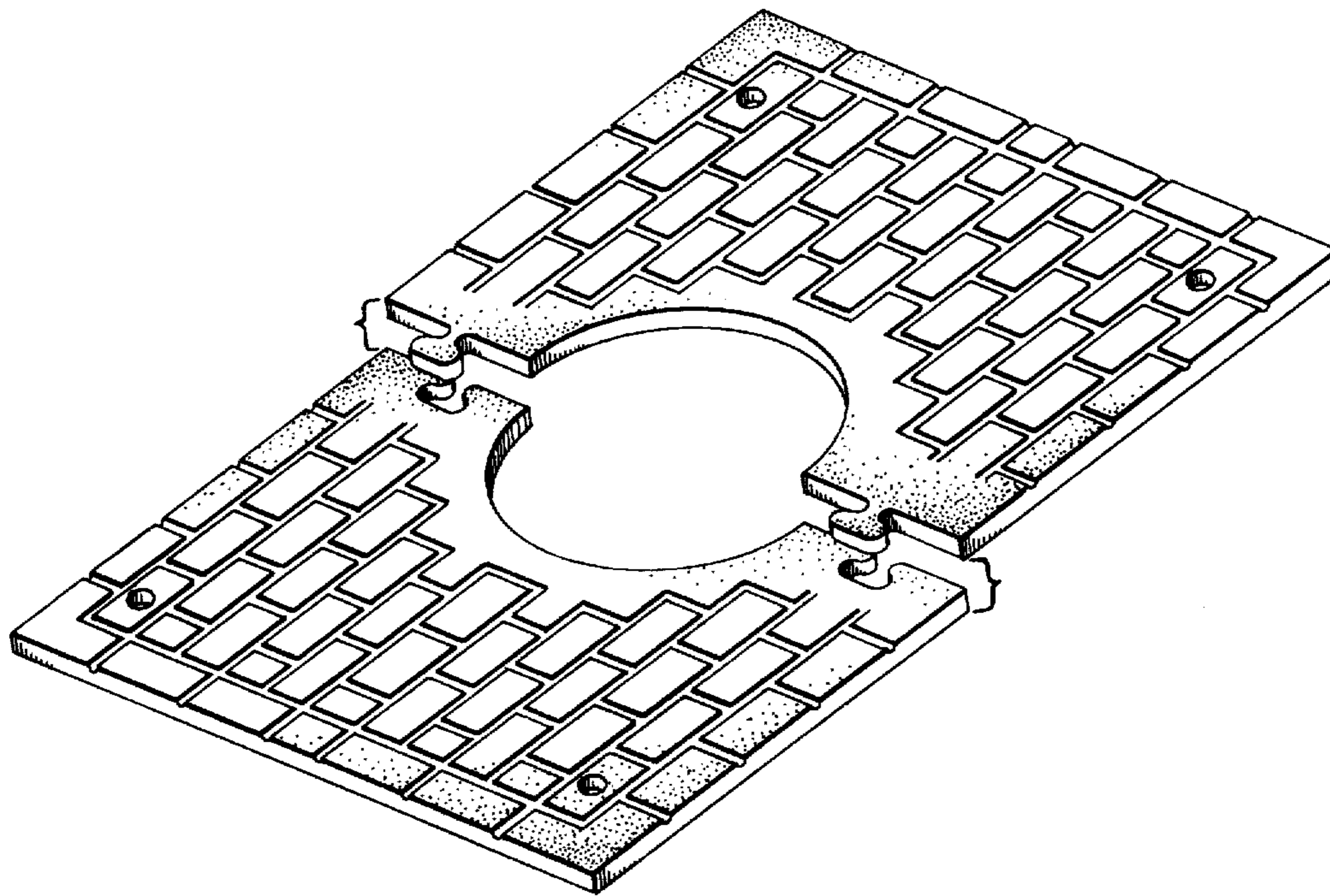
The ornamental design for a drilling rig rotary table anti-skid safety pad or similar article, substantially as shown and described.

DESCRIPTION

FIG. 1 is a top plan view of a drilling rig rotary table anti-skid safety pad or similar article showing our new design;

FIG. 2 is a perspective view thereof in separated condition; and

FIG. 3 is a bottom plan view thereof.



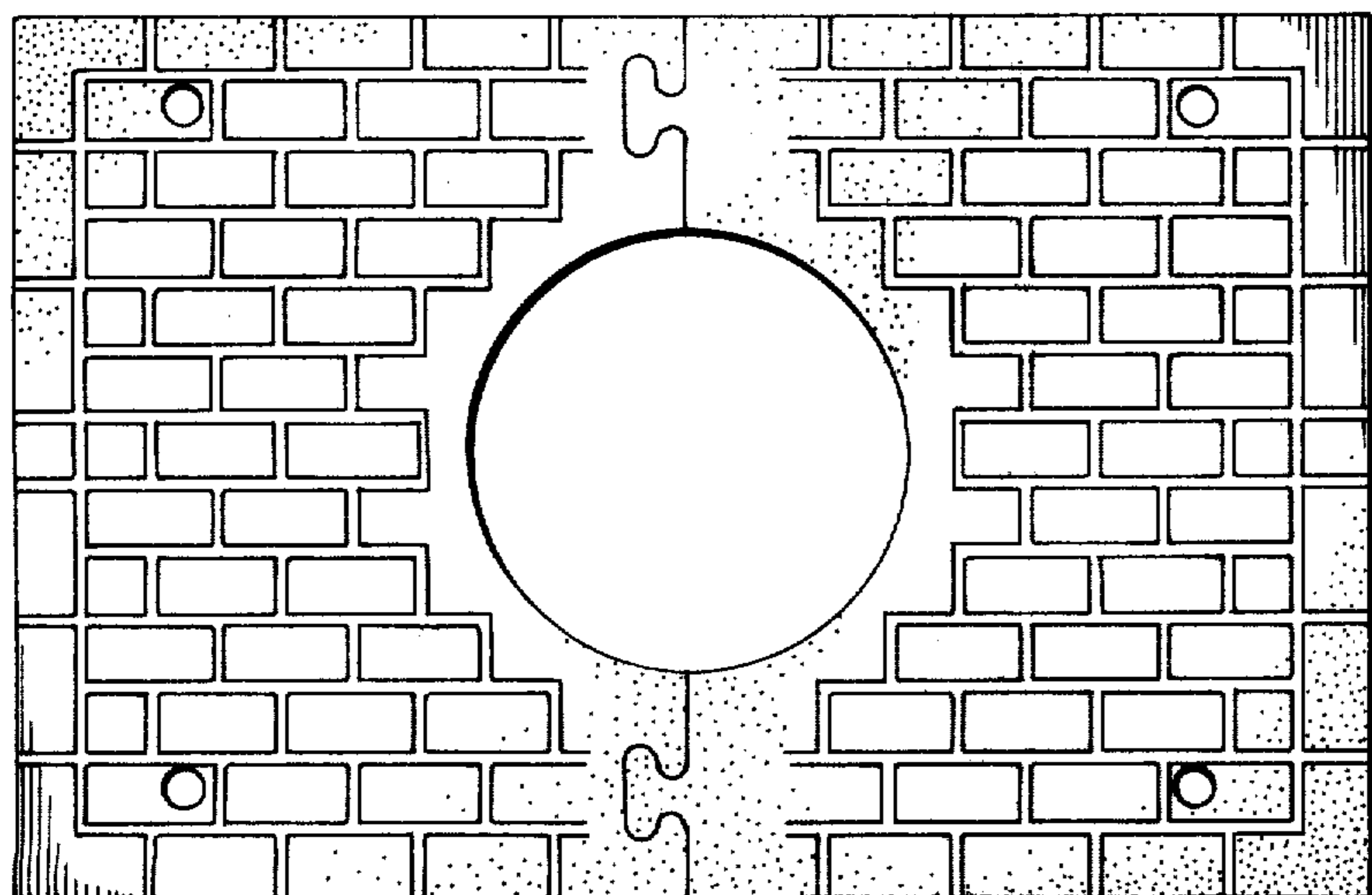


fig.1

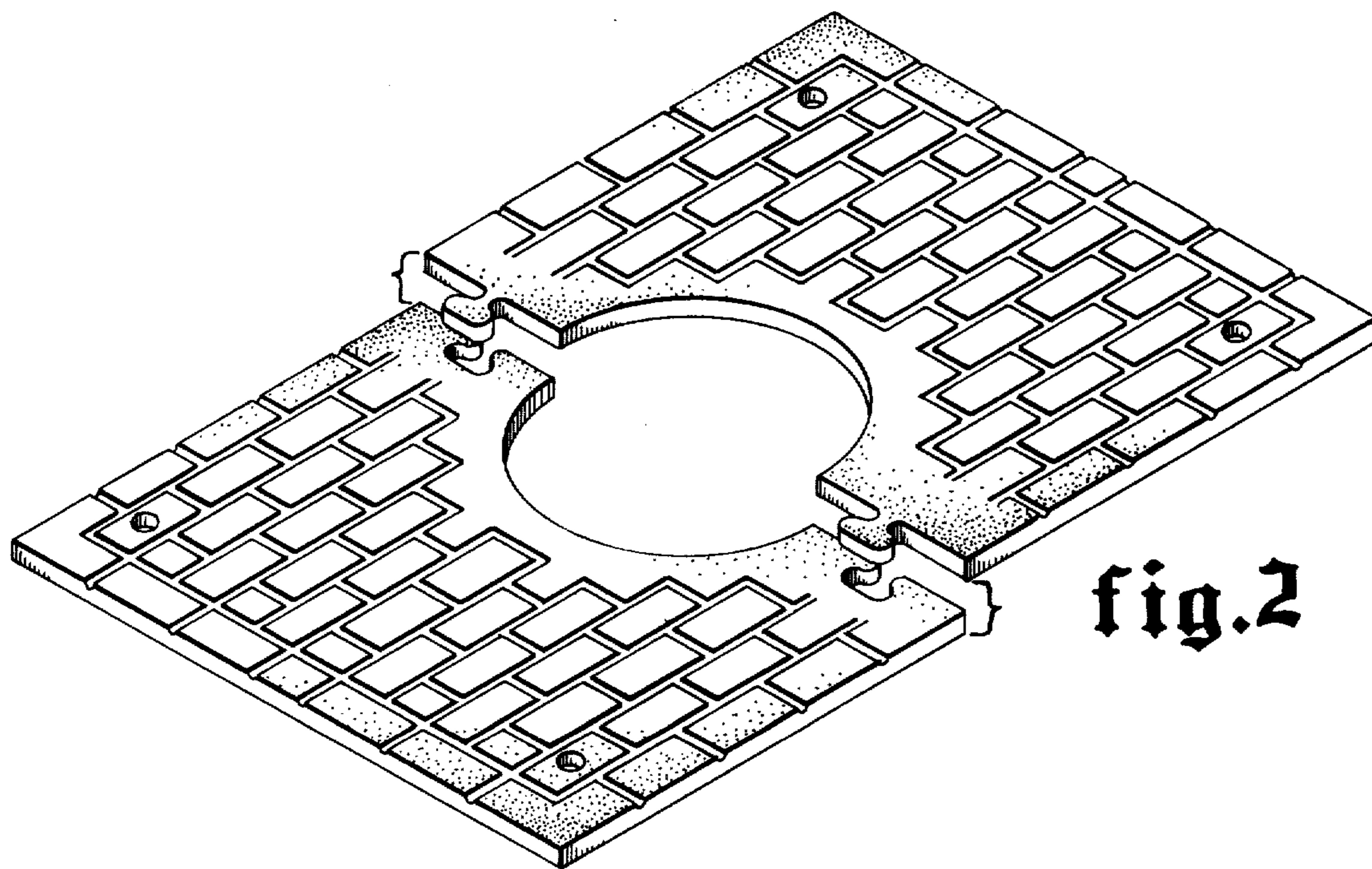


fig.2

fig.3

