

[54] TUMBLER HOLDER

[76] Inventor: Bruce R. Thompson, 32 Shakespeare Ave., Tranmere, South Australia, Australia

[\*\*] Term: 14 Years

[21] Appl. No.: 121,247

[22] Filed: Feb. 13, 1980

[51] Int. Cl. .... D23-02; D6-04

[52] U.S. Cl. .... D6/93; D6/125

[58] Field of Search ..... D6/86, 93, 91, 92, 114, D6/125; D7/71; 211/14, 71, 75, 87, 88, 60 R

[56] References Cited

U.S. PATENT DOCUMENTS

D. 67,599 6/1925 Jordan ..... D6/93

D. 248,909 8/1978 Frazian ..... D6/137  
D. 251,881 5/1979 Shirley ..... D6/93

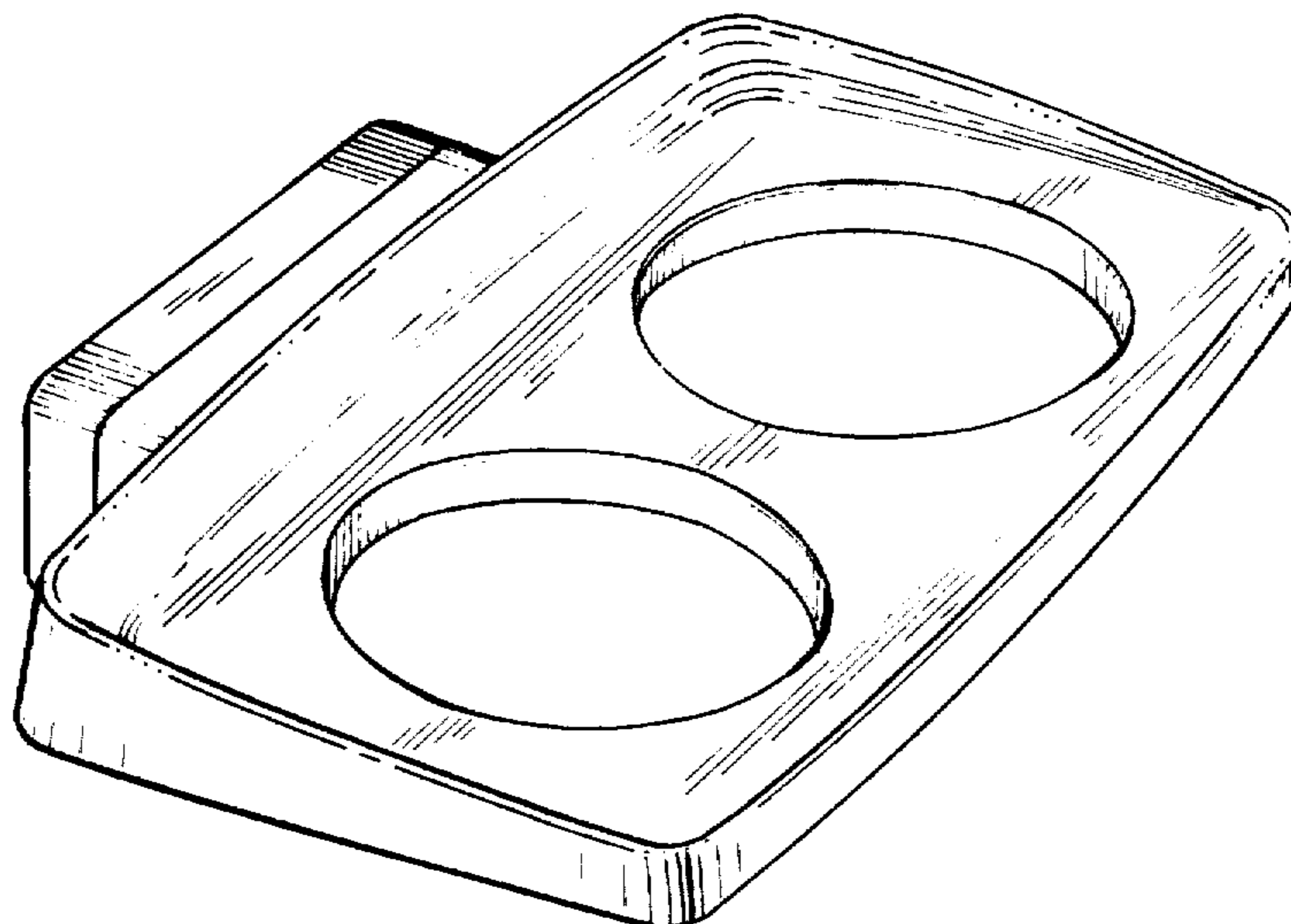
Primary Examiner—B. J. Bullock  
Attorney, Agent, or Firm—McDougall, Hersh & Scott

[57] CLAIM

The ornamental design for a tumbler holder, as shown.

DESCRIPTION

FIG. 1 is a perspective view of a tumbler holder showing my new design;  
FIG. 2 is a top view thereof;  
FIG. 3 is a bottom view thereof;  
FIG. 4 is a front view thereof;  
FIG. 5 is a rear view thereof;  
FIG. 6 is a side view taken from the left of FIG. 1, the side opposite being a mirror image thereof; and  
FIG. 7 is a sectional view taken in the direction of the arrows on line VII—VII of FIG. 2.



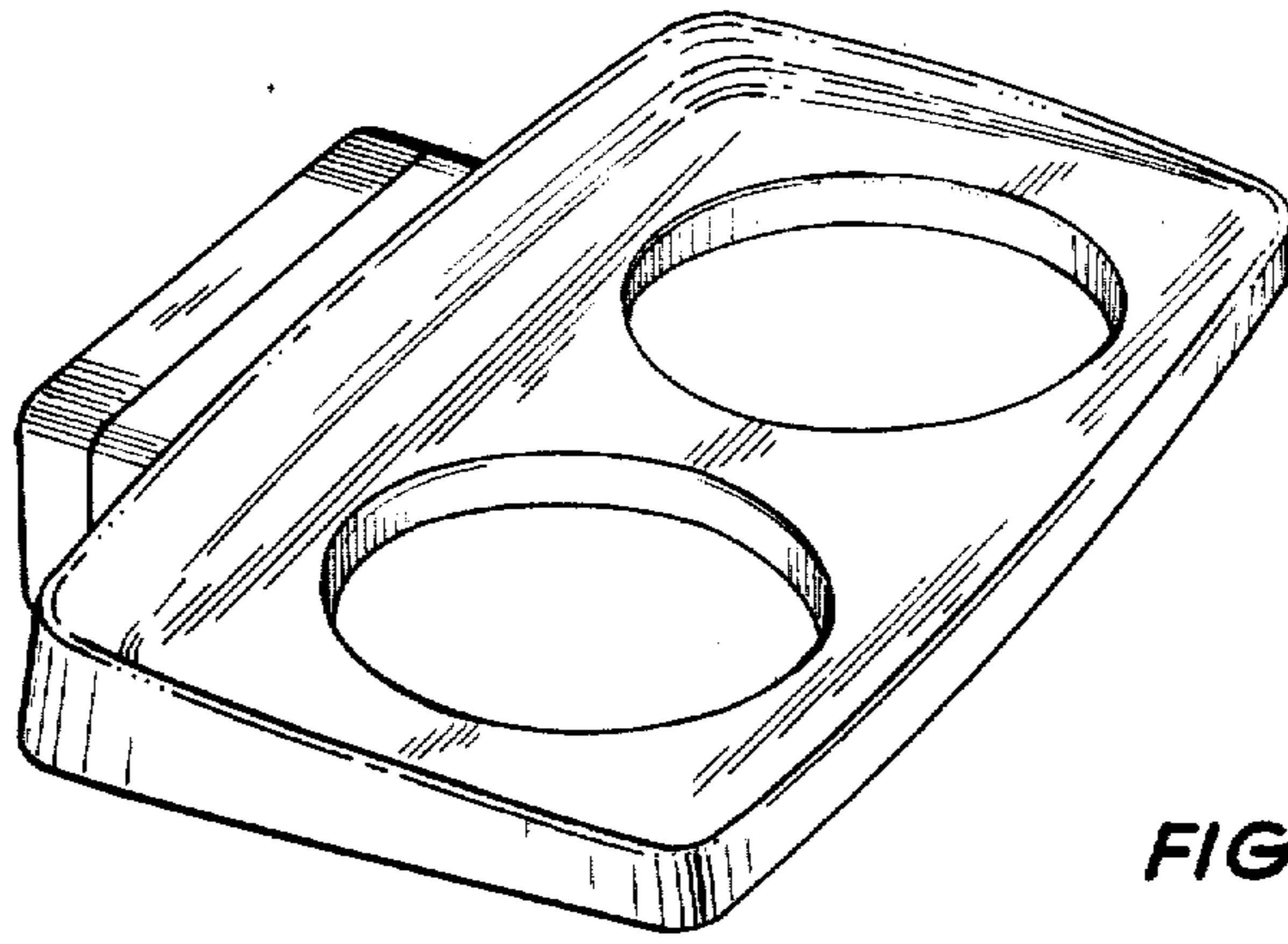


FIG. 1

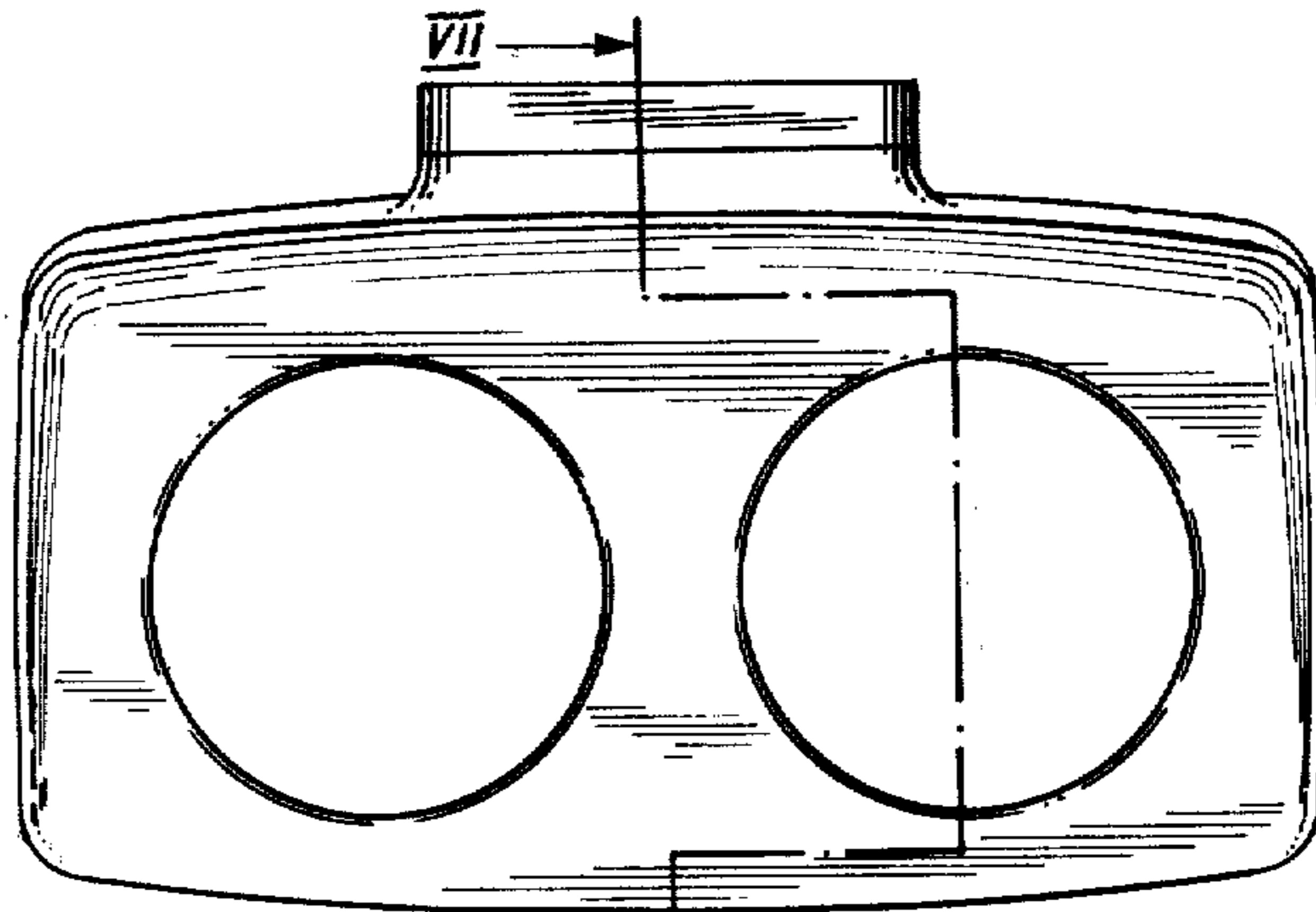


FIG. 2

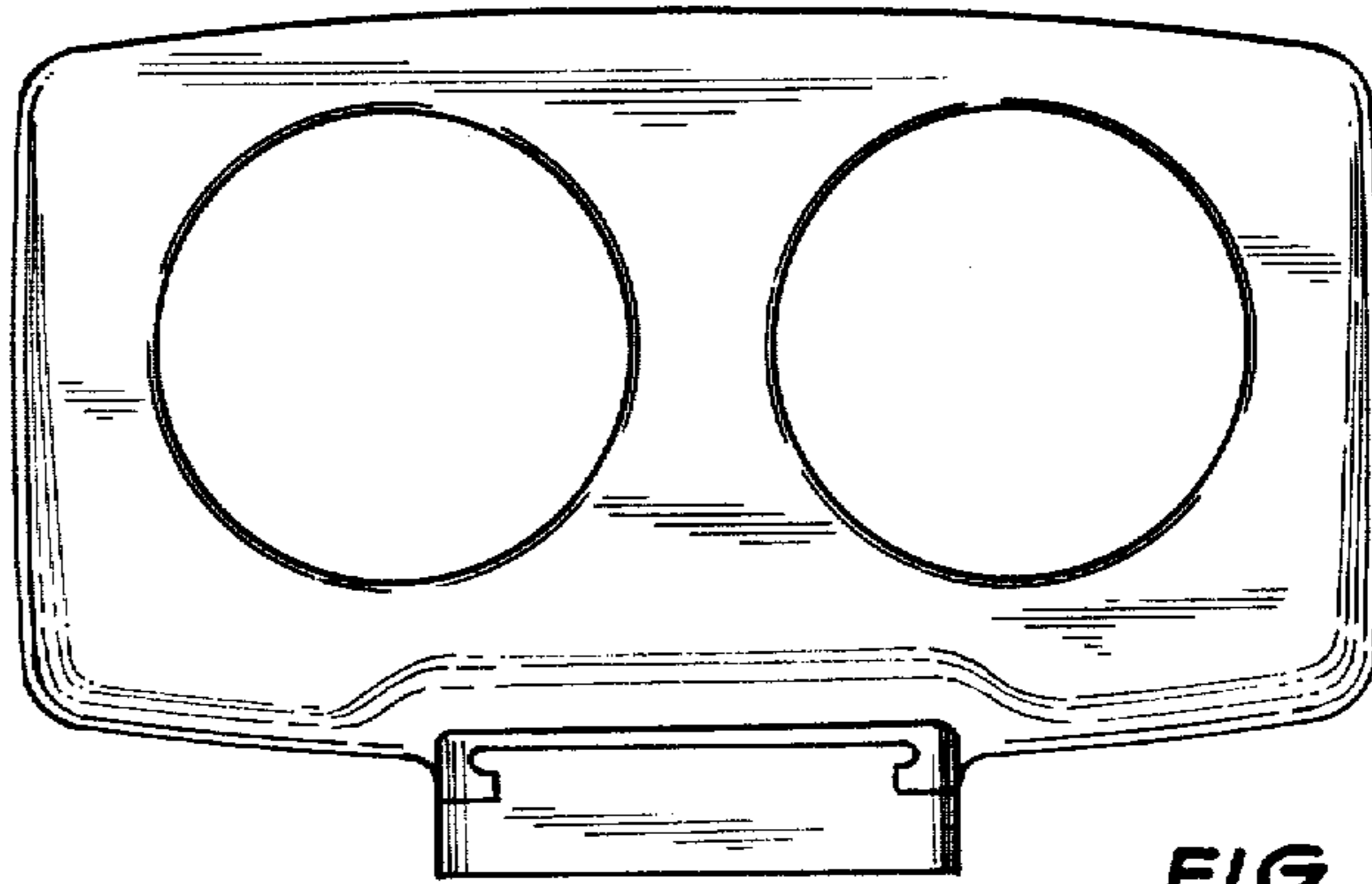


FIG. 3

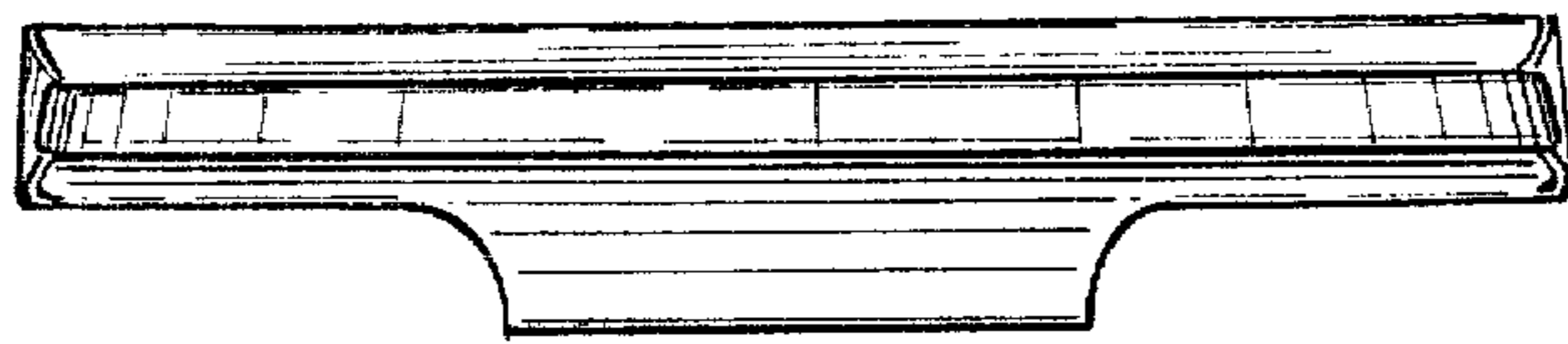


FIG. 4

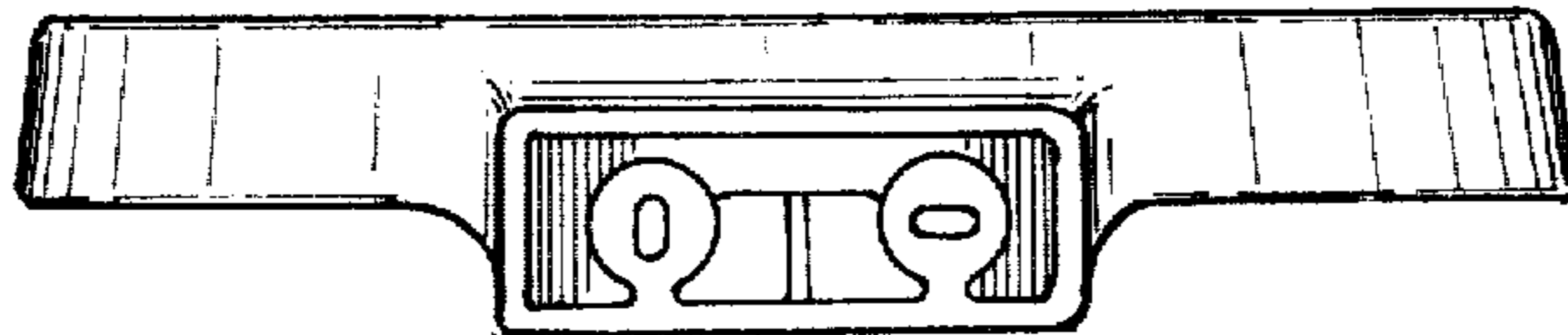


FIG. 5



FIG. 6

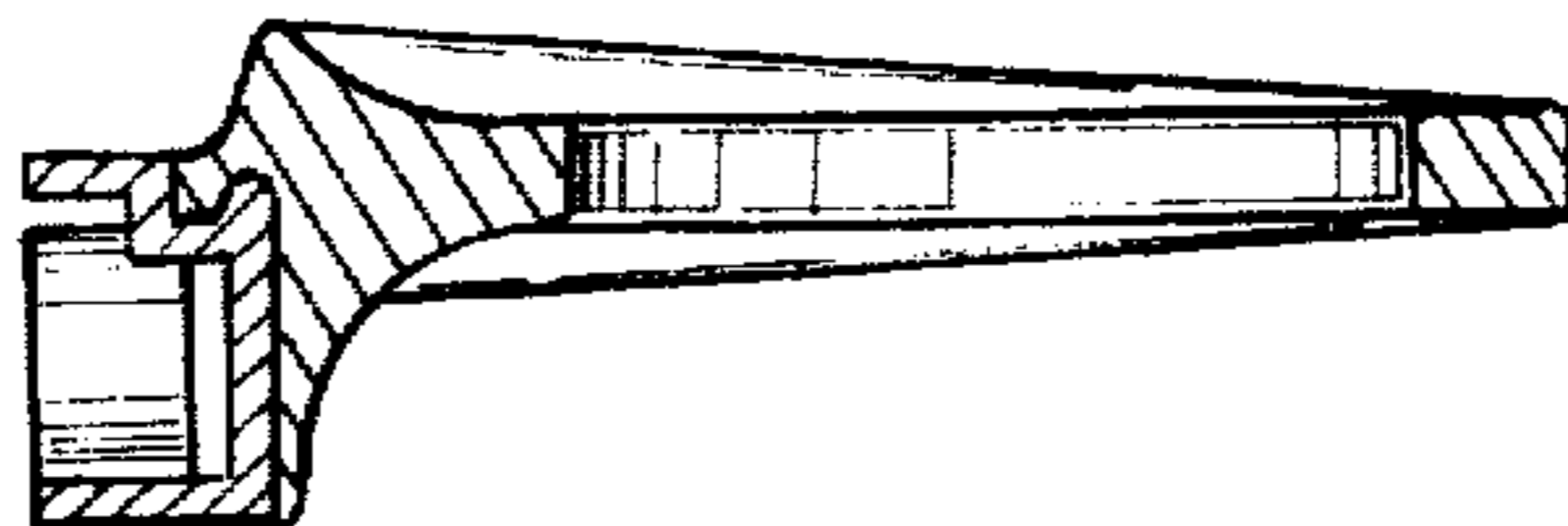


FIG. 7