

[54] COMBINED TOOTHPASTE DISPENSER AND TOOTHBRUSH HOLDER

[76] Inventor: Masahiro Iwamoto, 358, Hiraoka-cho, Sakai-shi, Osaka-fu, Japan

[**] Term: 14 Years

[21] Appl. No.: 118,221

[22] Filed: Feb. 4, 1980

[51] Int. Cl. D23—02; D21—01

[52] U.S. Cl. D6/87; D6/91; D6/94; D21/162

[58] Field of Search D6/86, 87, 91, 92, 94; D21/162; 248/108, 109; 222/93, 95, 99, 100, 105, 106, 101

[56] References Cited

U.S. PATENT DOCUMENTS

D. 194,022	11/1962	Toth	D6/87
D. 199,557	11/1964	Lefco	D6/91
D. 228,188	8/1973	Howison	D21/162
3,105,612	10/1963	Krasnoff et al.	222/93
4,010,871	3/1977	Broadie	D6/87

Primary Examiner—B. J. Bullock

Attorney, Agent, or Firm—Wenderoth, Lind & Ponack

[57] CLAIM

The ornamental design for a combined toothpaste dispenser and toothbrush holder, as shown.

DESCRIPTION

FIG. 1 is a front view of a combined toothpaste dispenser and toothbrush holder, showing the new design; FIG. 2 is a rear view thereof; FIG. 3 is a side view taken from the right of FIG. 1; FIG. 4 is a side view taken from the left of FIG. 1; FIG. 5 is a top view thereof; FIG. 6 is a bottom view thereof; and FIG. 7 is a perspective view thereof.

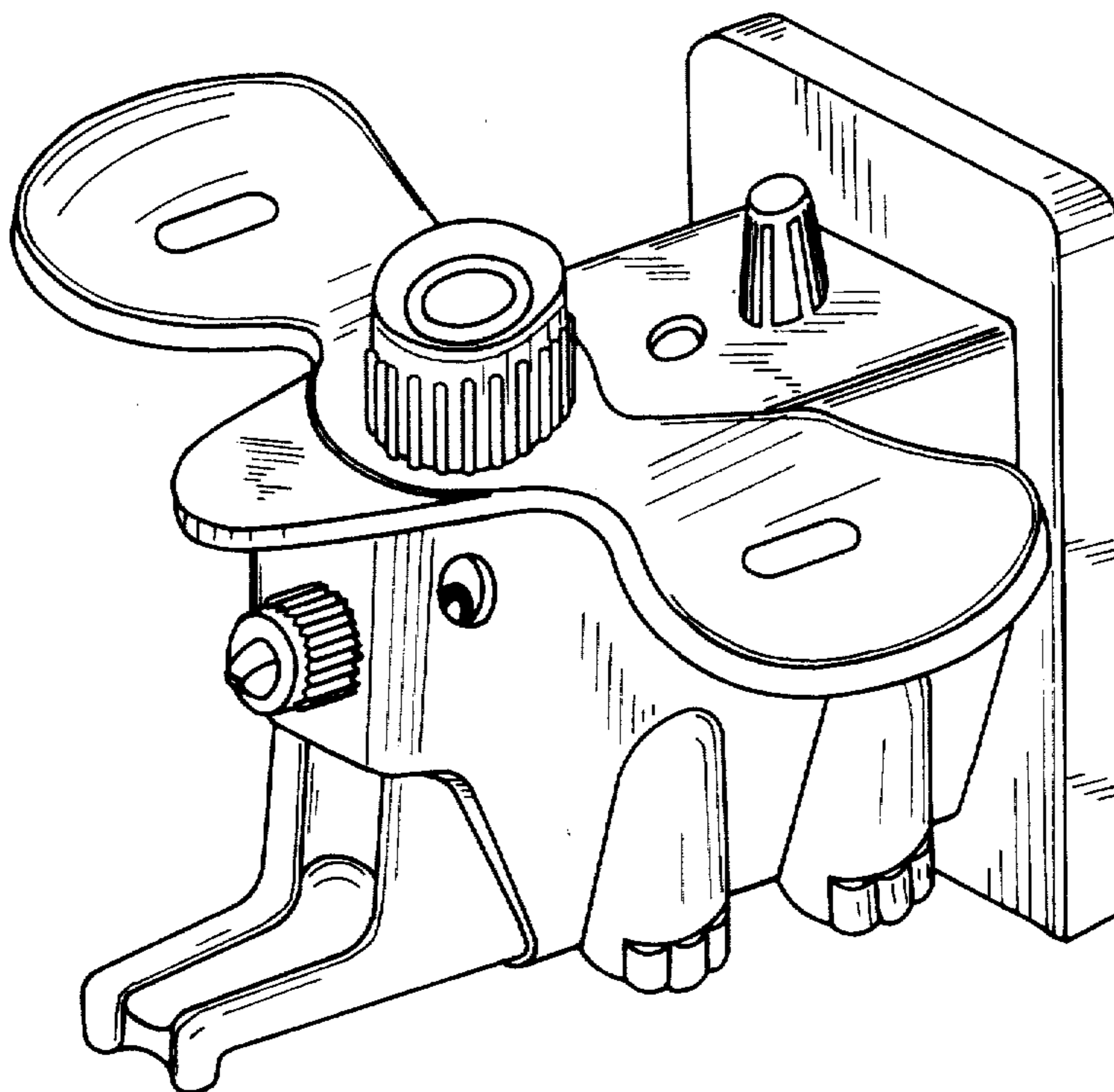


FIG. 1

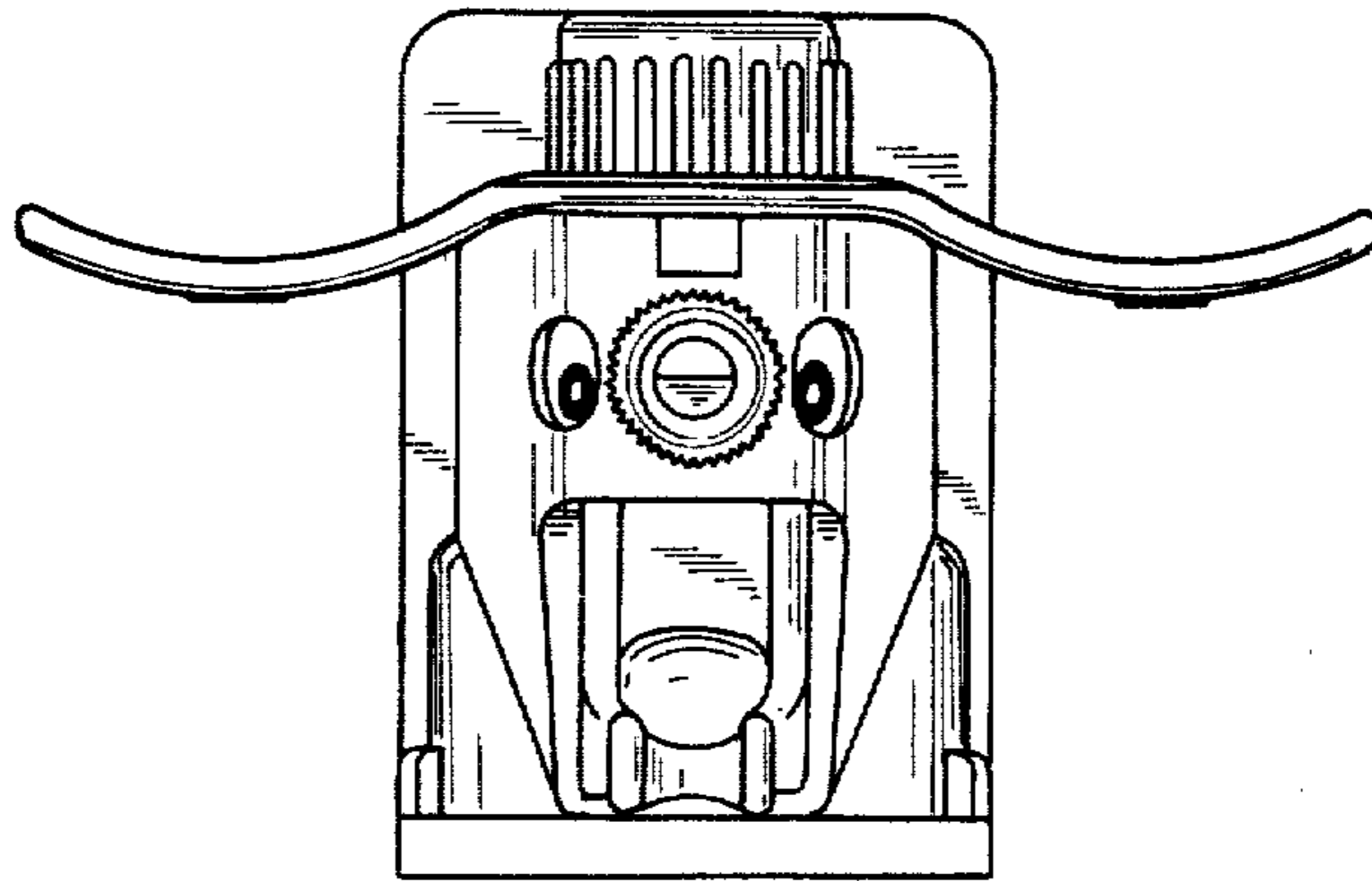


FIG. 2

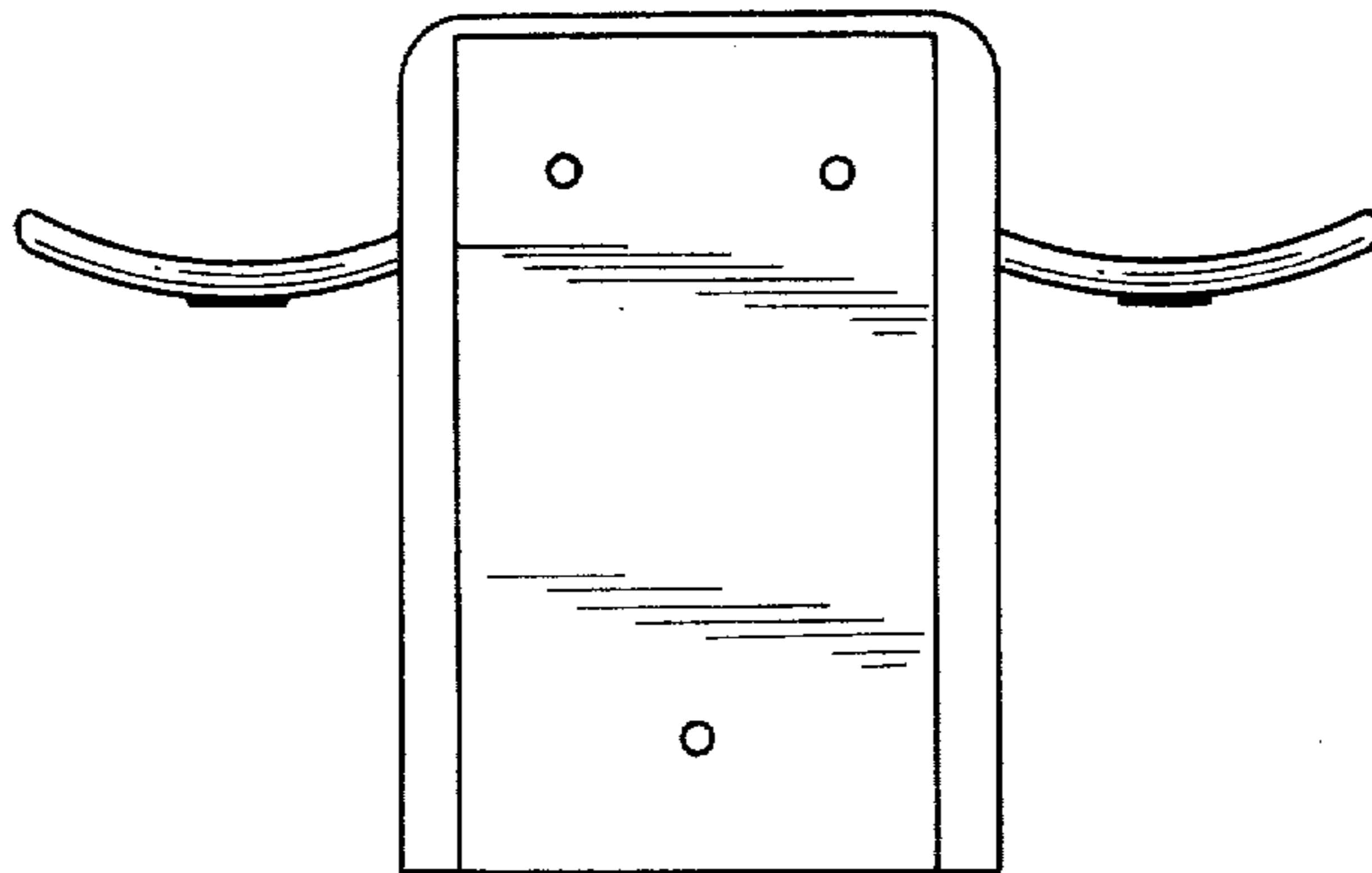


FIG. 3

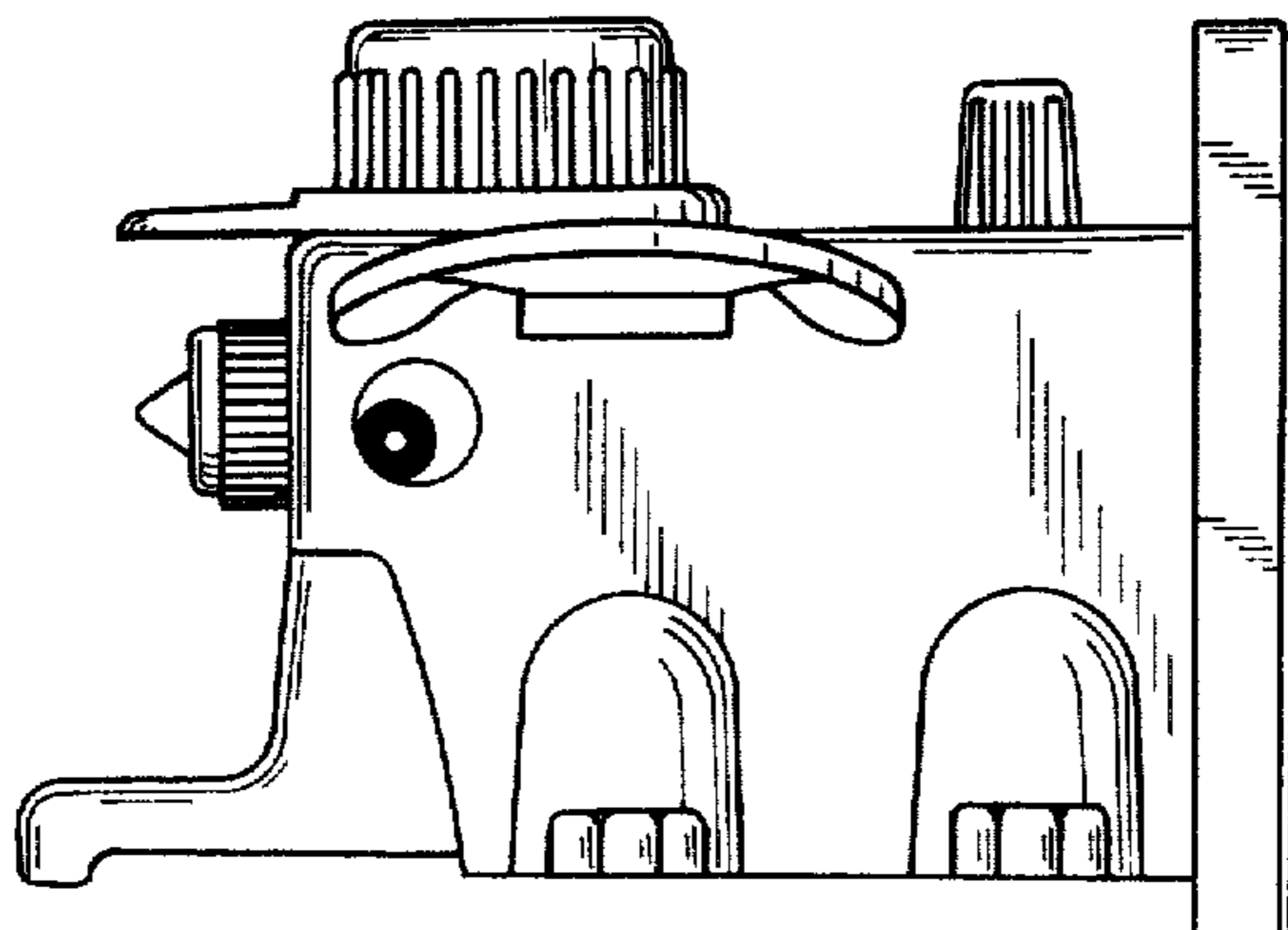


FIG. 4

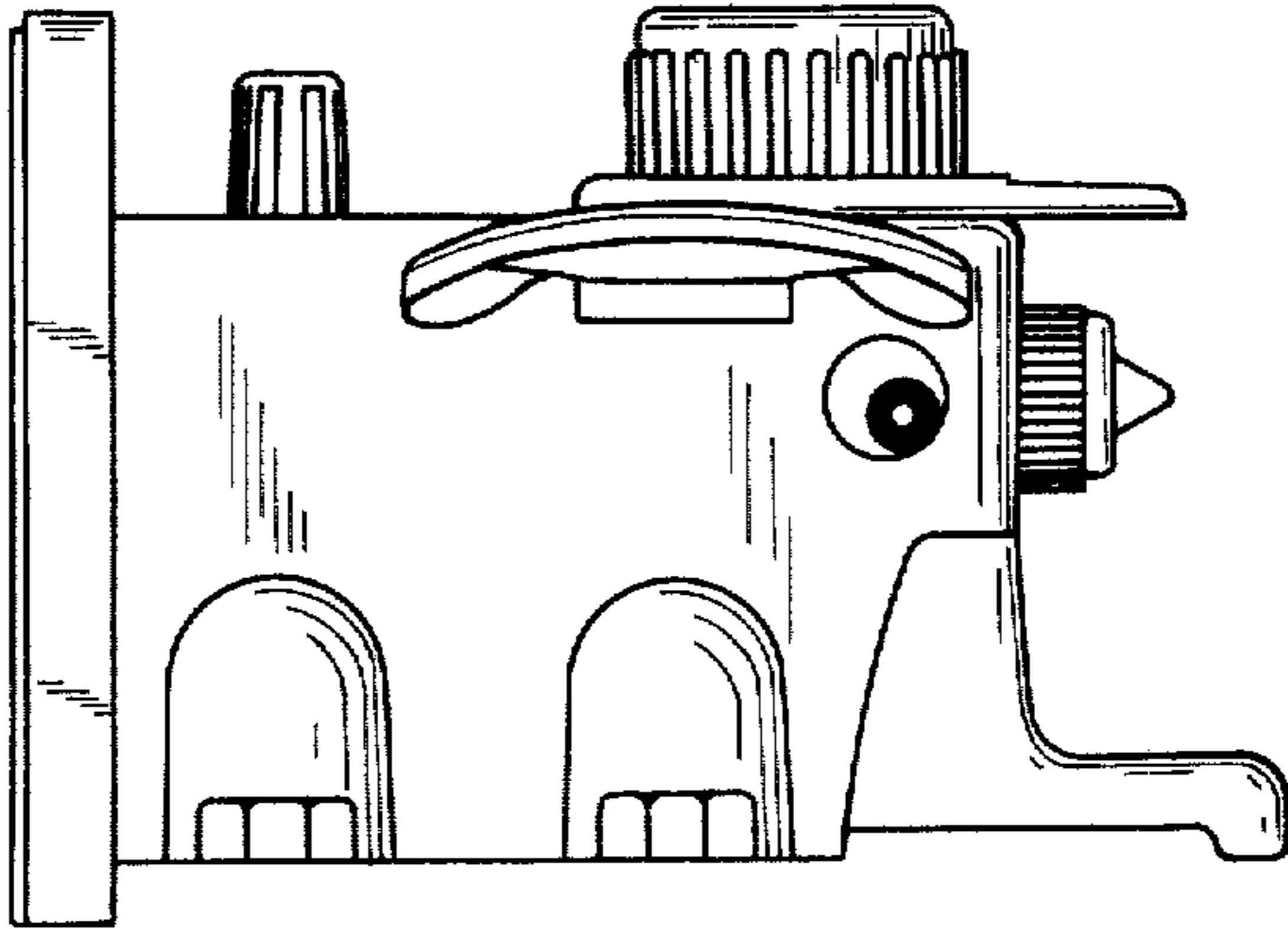


FIG. 7

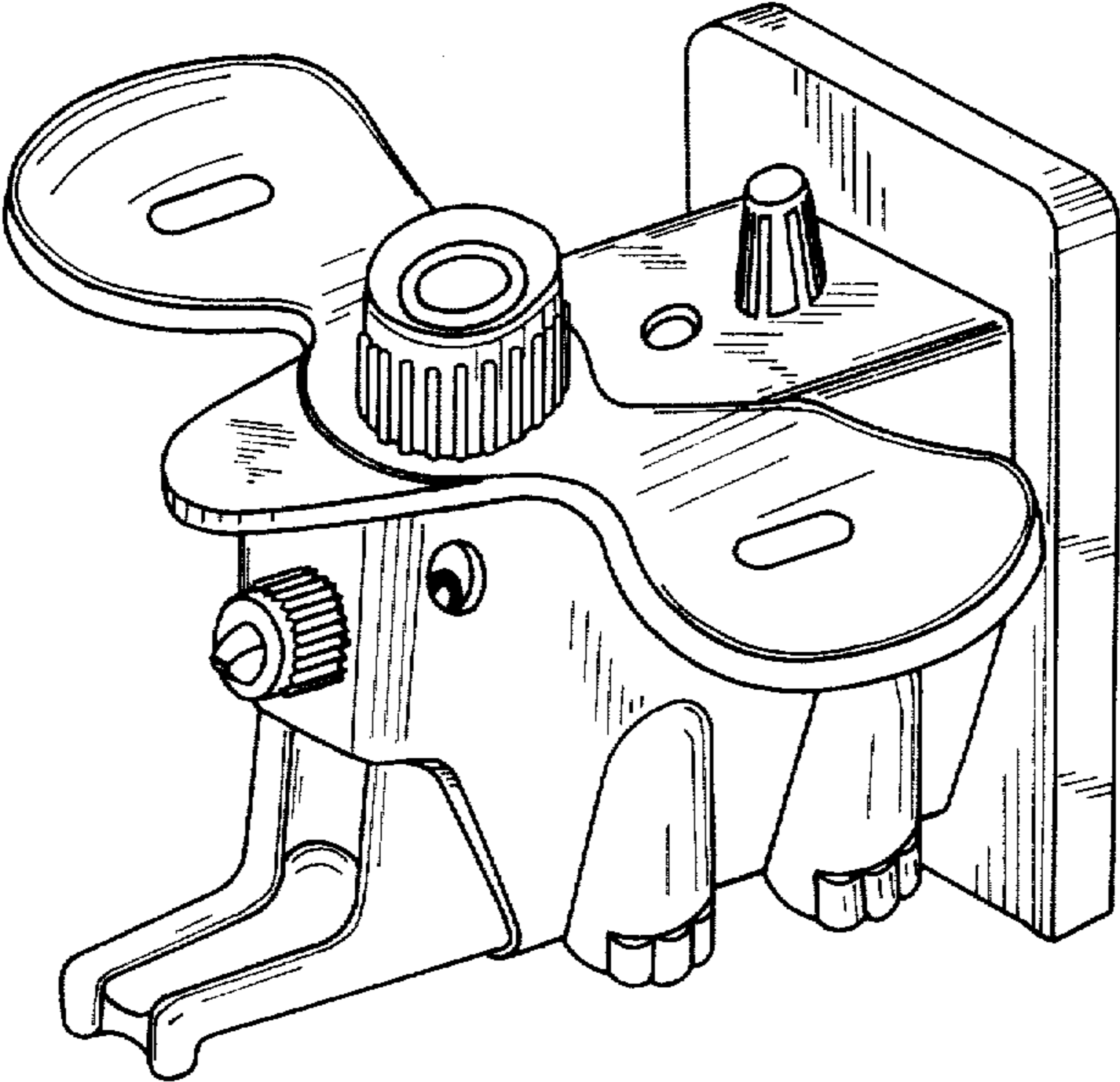


FIG. 5

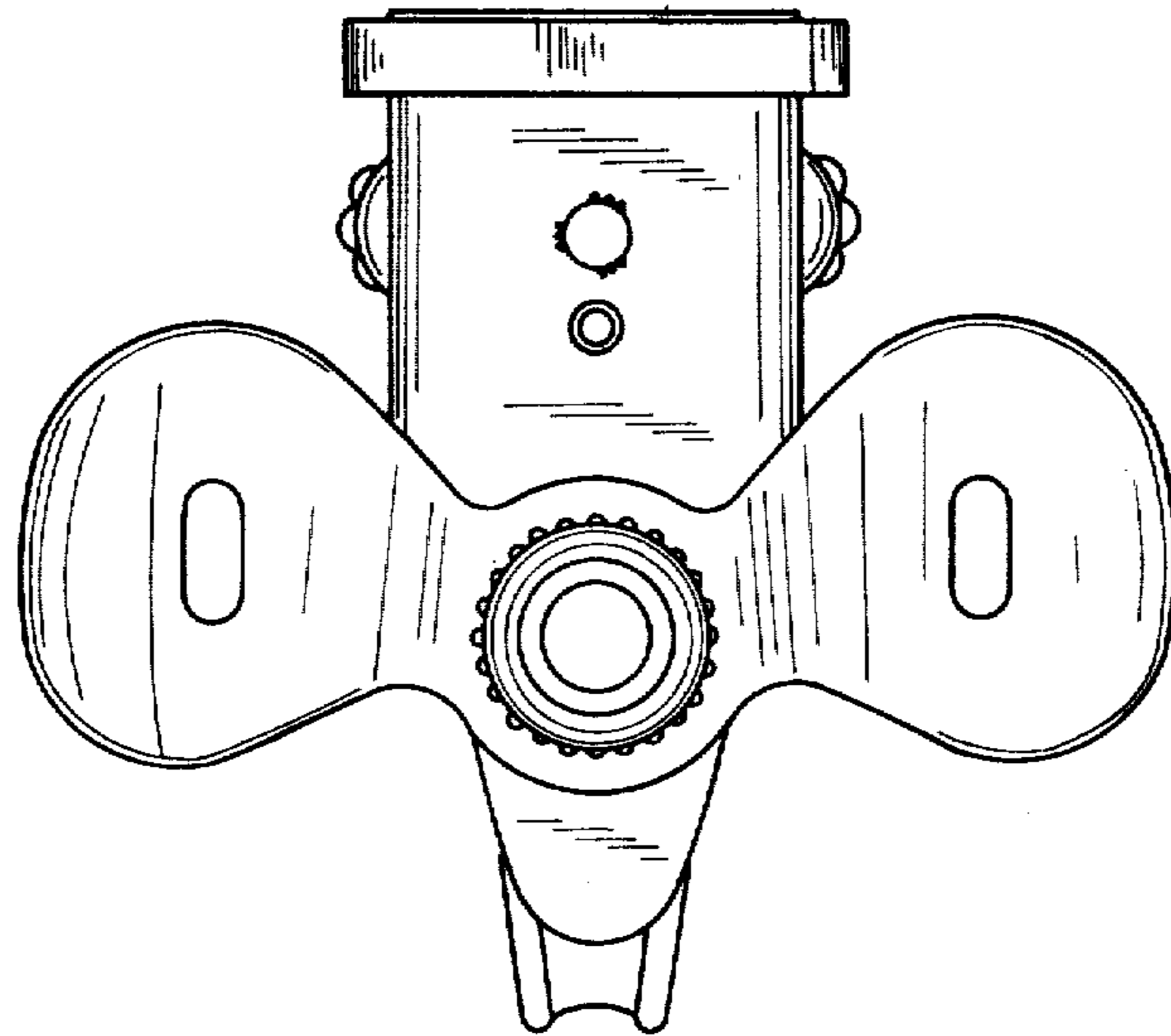


FIG. 6

