

[54] CHILD'S ROCKER

[76] Inventor: William W. Cubbage, Jr., Box 4,  
University Cir., Lincoln University,  
Pa. 19352

[\*\*] Term: 14 Years

[21] Appl. No.: 199,062

[22] Filed: Oct. 20, 1980

[51] Int. Cl. .... D6-01

[52] U.S. Cl. .... D6/10; D6/49

[58] Field of Search .... D6/7-15,  
D6/47-78

[56] References Cited

U.S. PATENT DOCUMENTS

D. 40,588	3/1910	Voncanon	.....	D6/49
D. 58,555	8/1921	Dodson	.....	D6/49
D. 68,187	9/1925	Wurdack	.....	D6/49
D. 80,737	3/1930	Lehman	.....	D6/49
D. 253,623	12/1979	Berlic	.....	D6/49

1,662,947	3/1928	Banker	.....	297/270
1,983,207	12/1934	Witzel	.....	297/270

Primary Examiner—Bruce W. Dunkins  
Attorney, Agent, or Firm—Connolly and Hutz

[57] CLAIM

The ornamental design for a child's rocker, substantially as shown and described.

DESCRIPTION

FIG. 1 is a side elevational view of the child's rocker showing my new design;

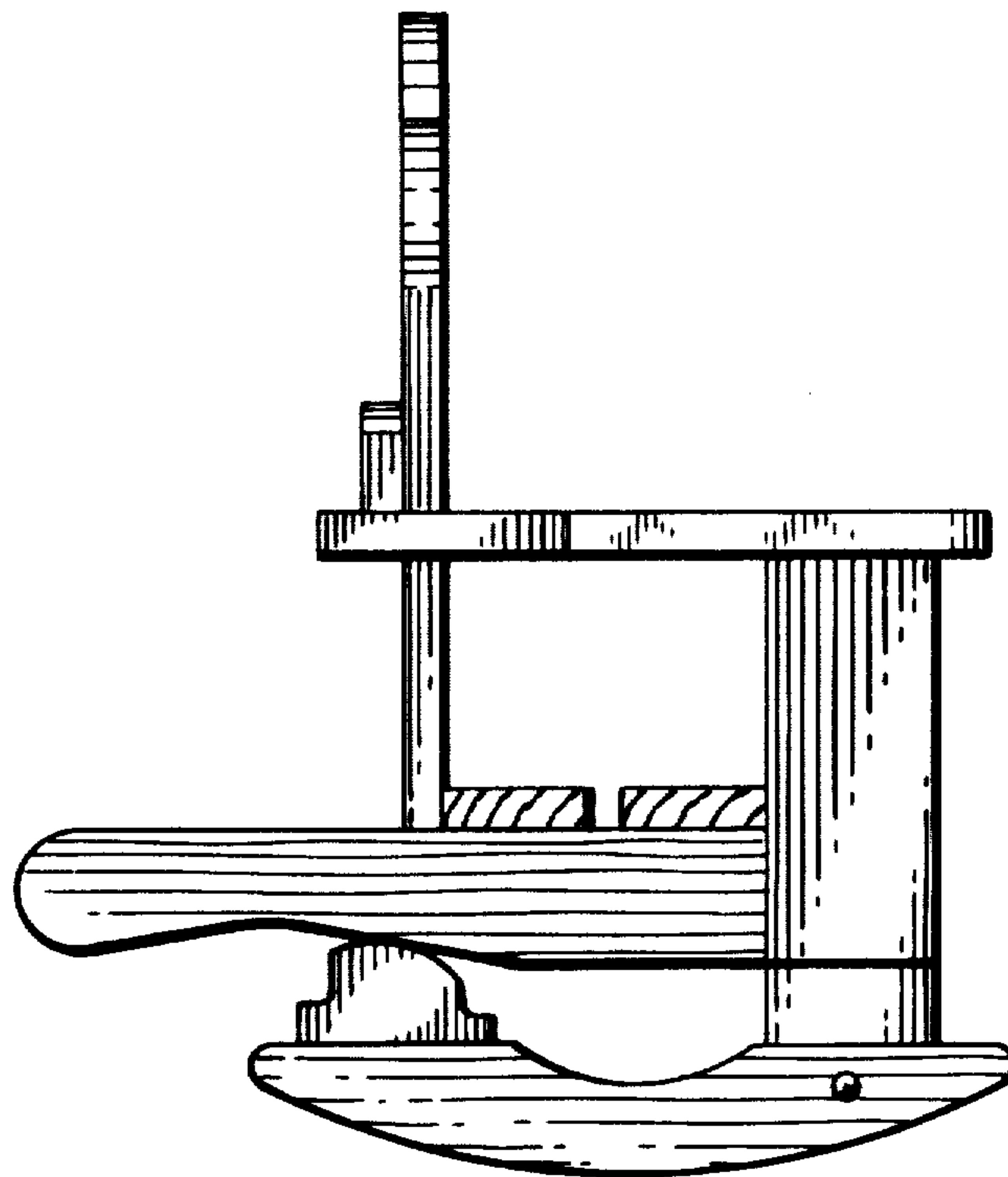
FIG. 2 is a top plan view of the rocker shown in FIG. 1;

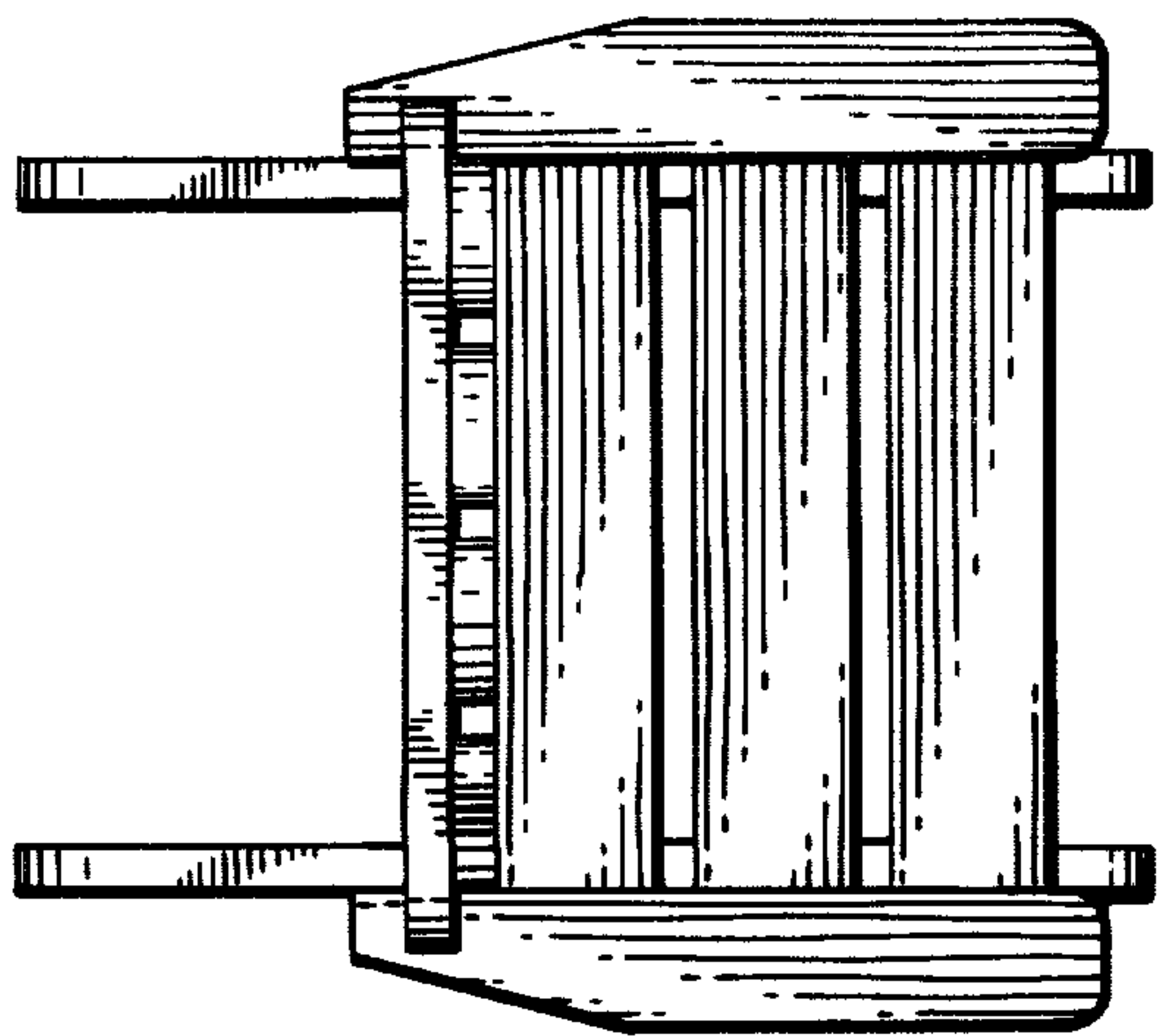
FIG. 3 is a bottom plan view of the rocker shown in FIGS. 1-2;

FIG. 4 is a front elevational view of the rocker shown in FIGS. 1-3; and

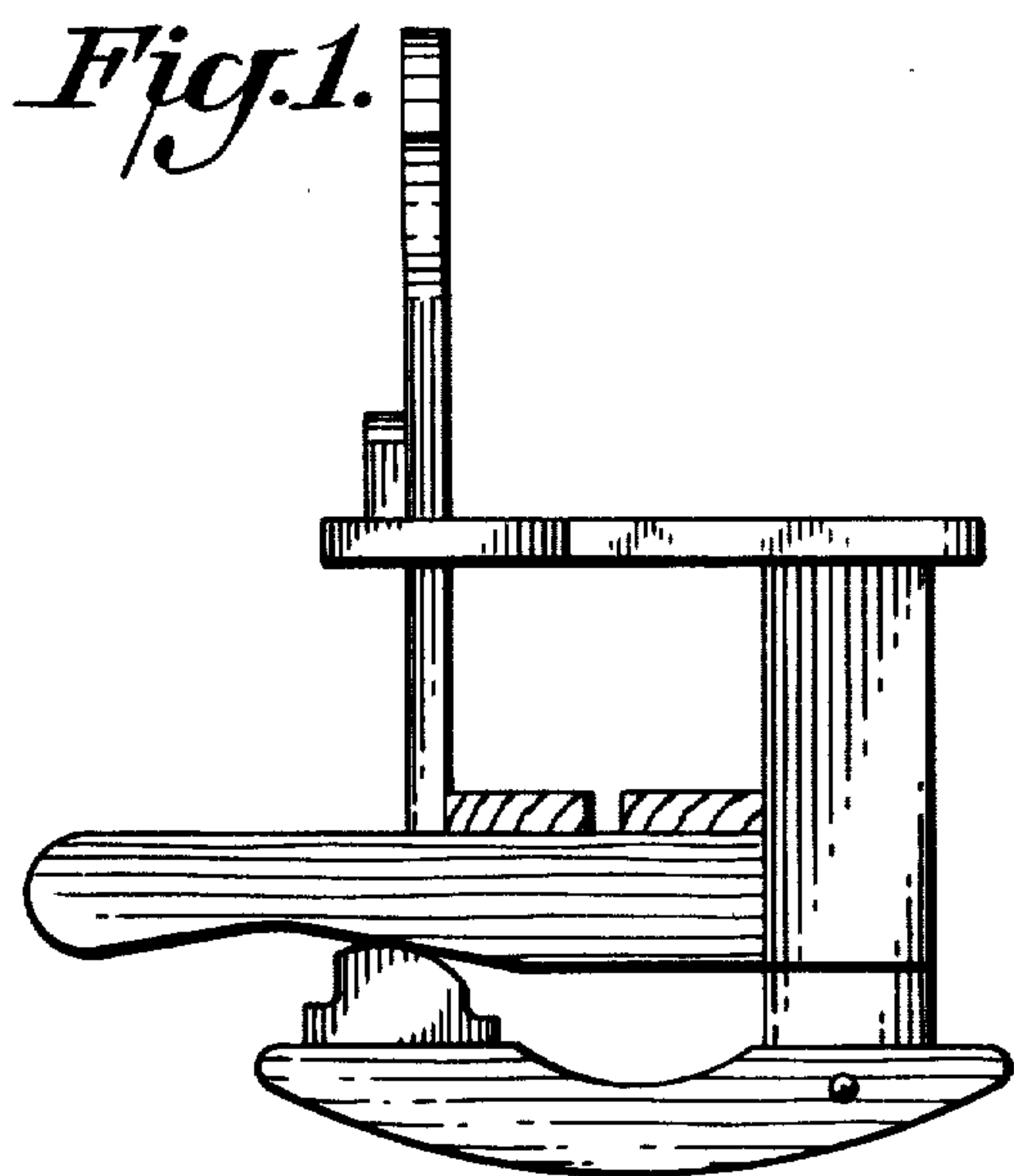
FIG. 5 is a rear elevational view of the rocker shown in FIGS. 1-4.

The side of the chair not shown is a mirror image of the side shown in FIG. 1.

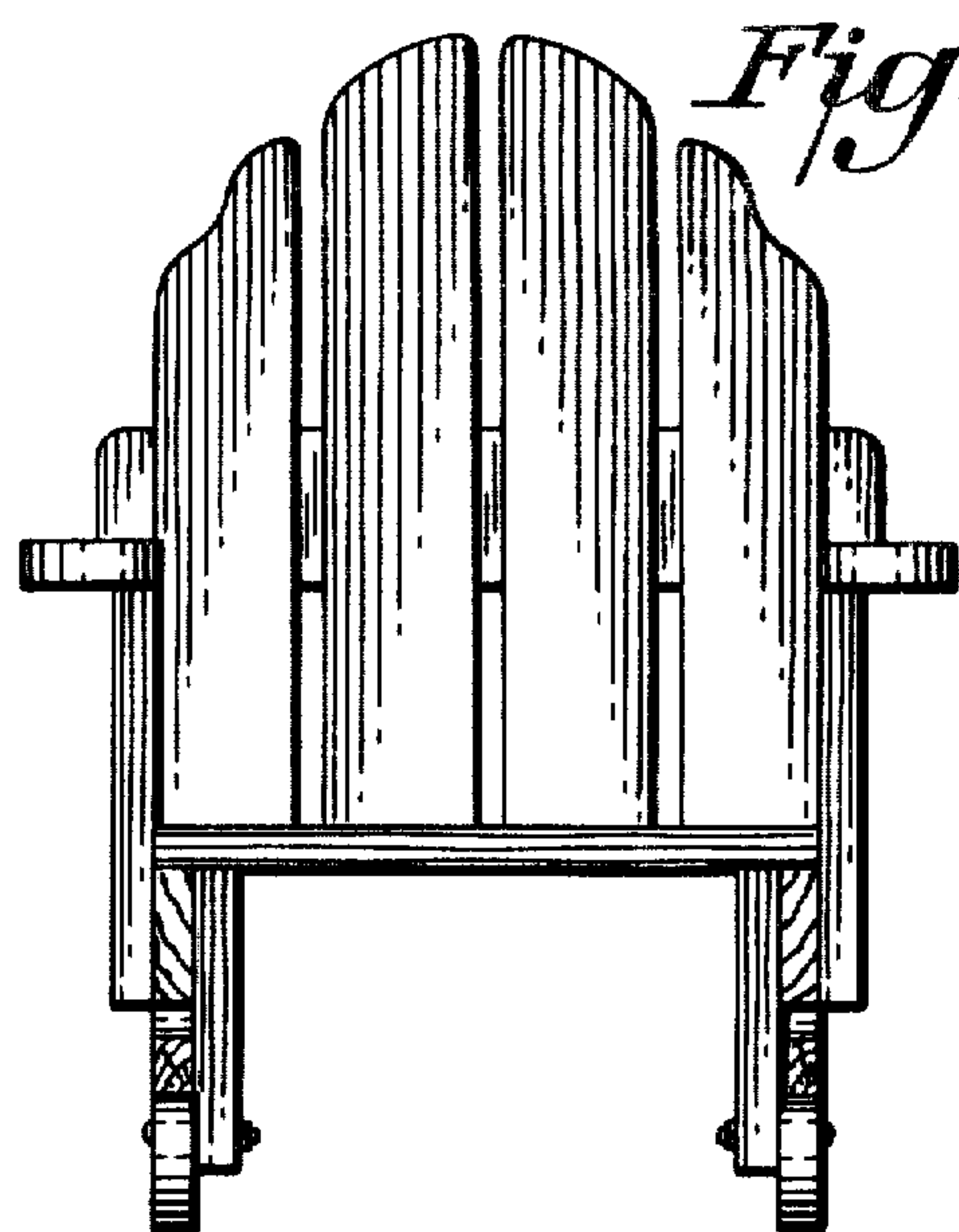




*Fig. 2.*

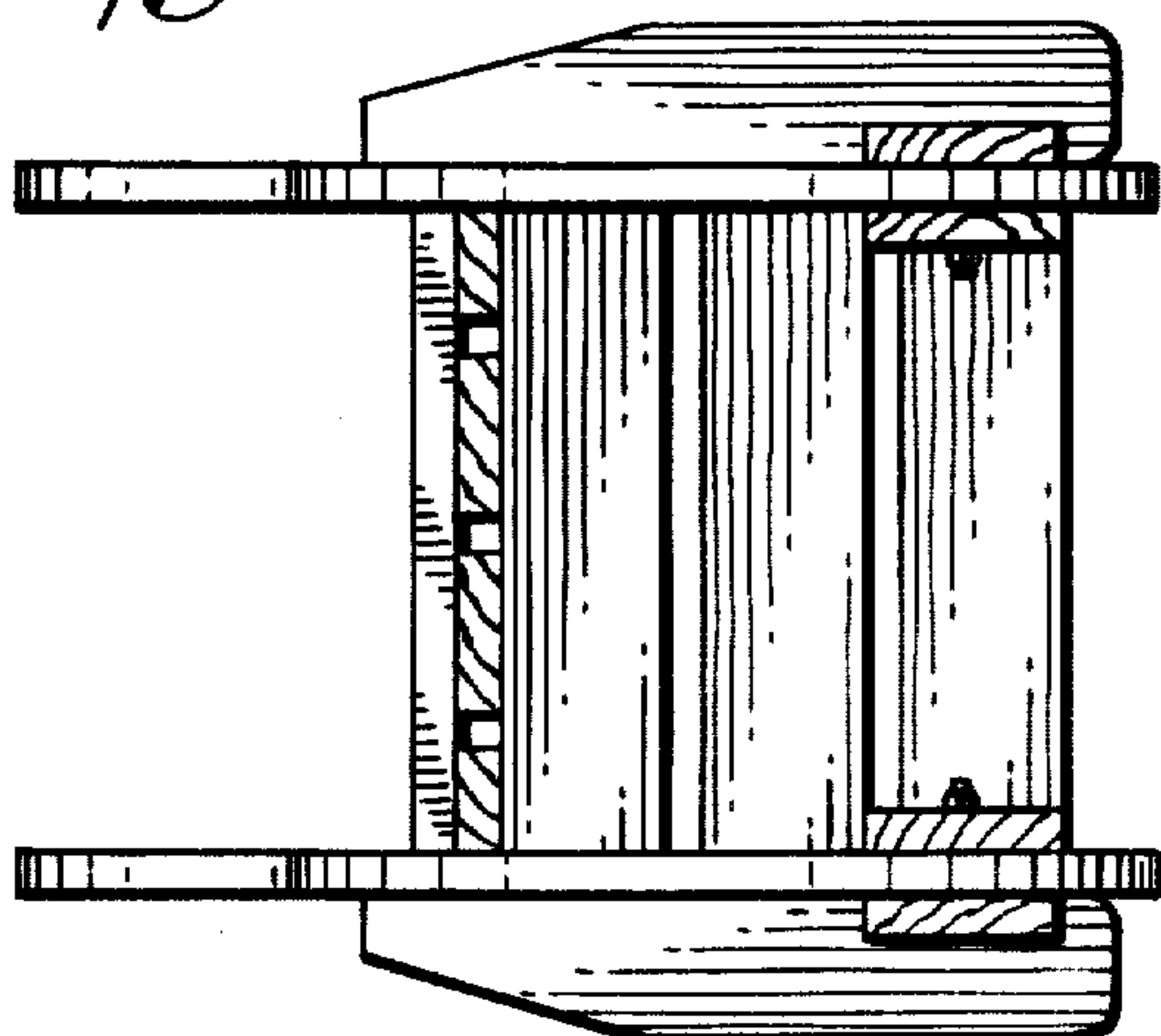


*Fig. 1.*



*Fig. 4.*

*Fig. 3.*



*Fig. 5.*

