

[54] SPHYGMOMANOMETER

3,613,668 10/1971 Beck et al. D24/21 X
3,738,157 6/1973 Sekizawa 73/756

[75] Inventor: Shinji Koshino, Shibukawa, Japan

[73] Assignee: Nihon Seimitsu Sokki Co., Ltd.,
Gunma, Japan

[**] Term: 14 Years

[21] Appl. No.: 92,481

[22] Filed: Nov. 8, 1979

[51] Int. Cl. D24-02

[52] U.S. Cl. D24/21; D24/8;
D24/17; D10/102

[58] Field of Search D24/21, 8, 17; D10/102;
128/672, 675; 73/748, 756

[56] References Cited

U.S. PATENT DOCUMENTS

D. 245,203 7/1977 Cuccio D24/21
D. 248,164 6/1978 Bell et al. D24/21
D. 250,046 10/1978 Ohie et al. D24/21

OTHER PUBLICATIONS

Surgical Business, Oct. 1975, p. 7, Tycos II Sphygmo-
manometer.

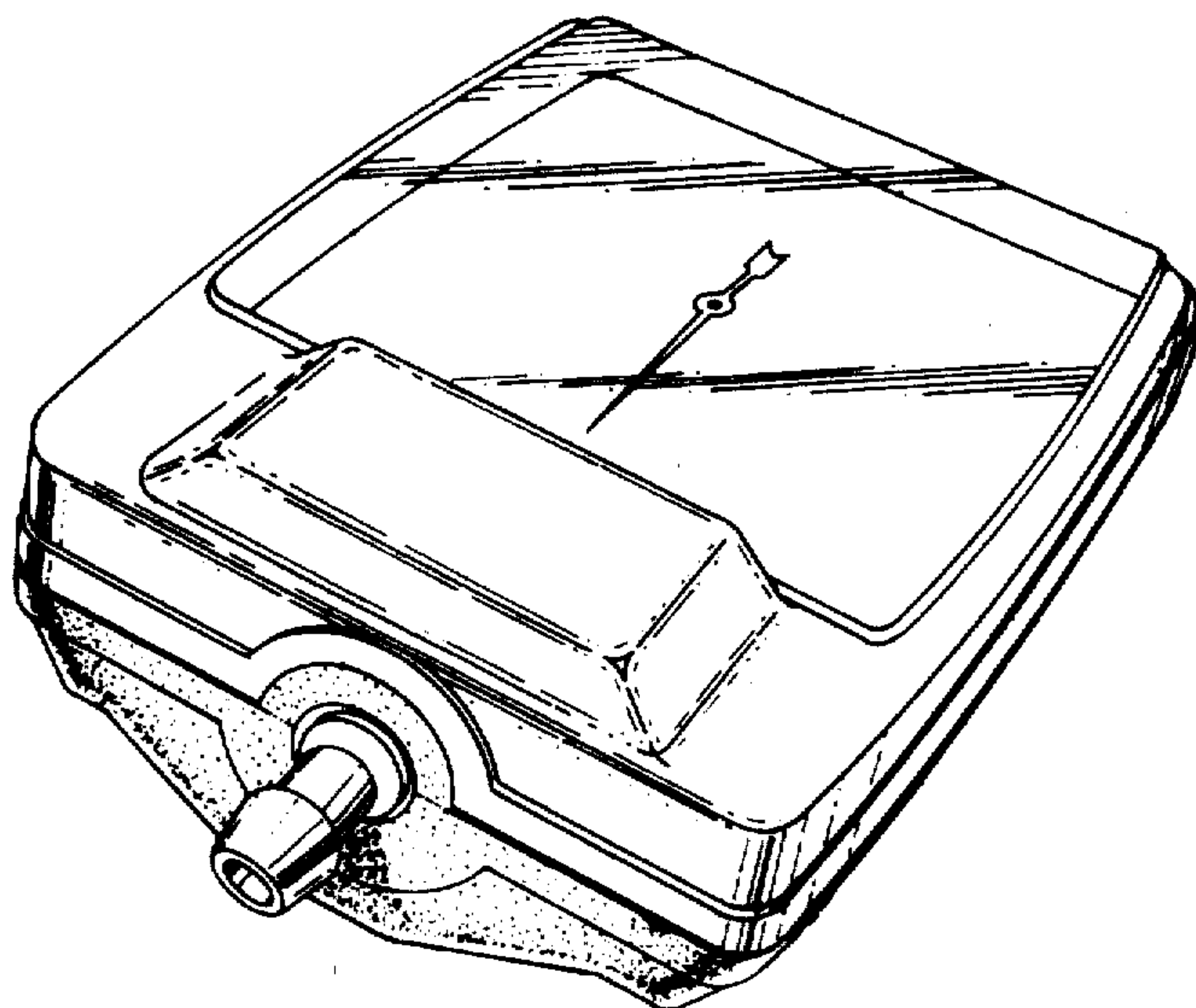
Primary Examiner—Bernard Ansher
Attorney, Agent, or Firm—Armstrong, Nikaido,
Marmelstein & Kubovcik

[57] CLAIM

The ornamental design for a sphygmomanometer, or
similar article, substantially as shown and described.

DESCRIPTION

FIG. 1 is a perspective view from the rear upper side of
a sphygmomanometer according to my design, showing
my new design;
FIG. 2 is a perspective view from the rear lower side;
FIG. 3 is a perspective view from the front lower side;
and
FIG. 4 is a perspective view from the front upper side.



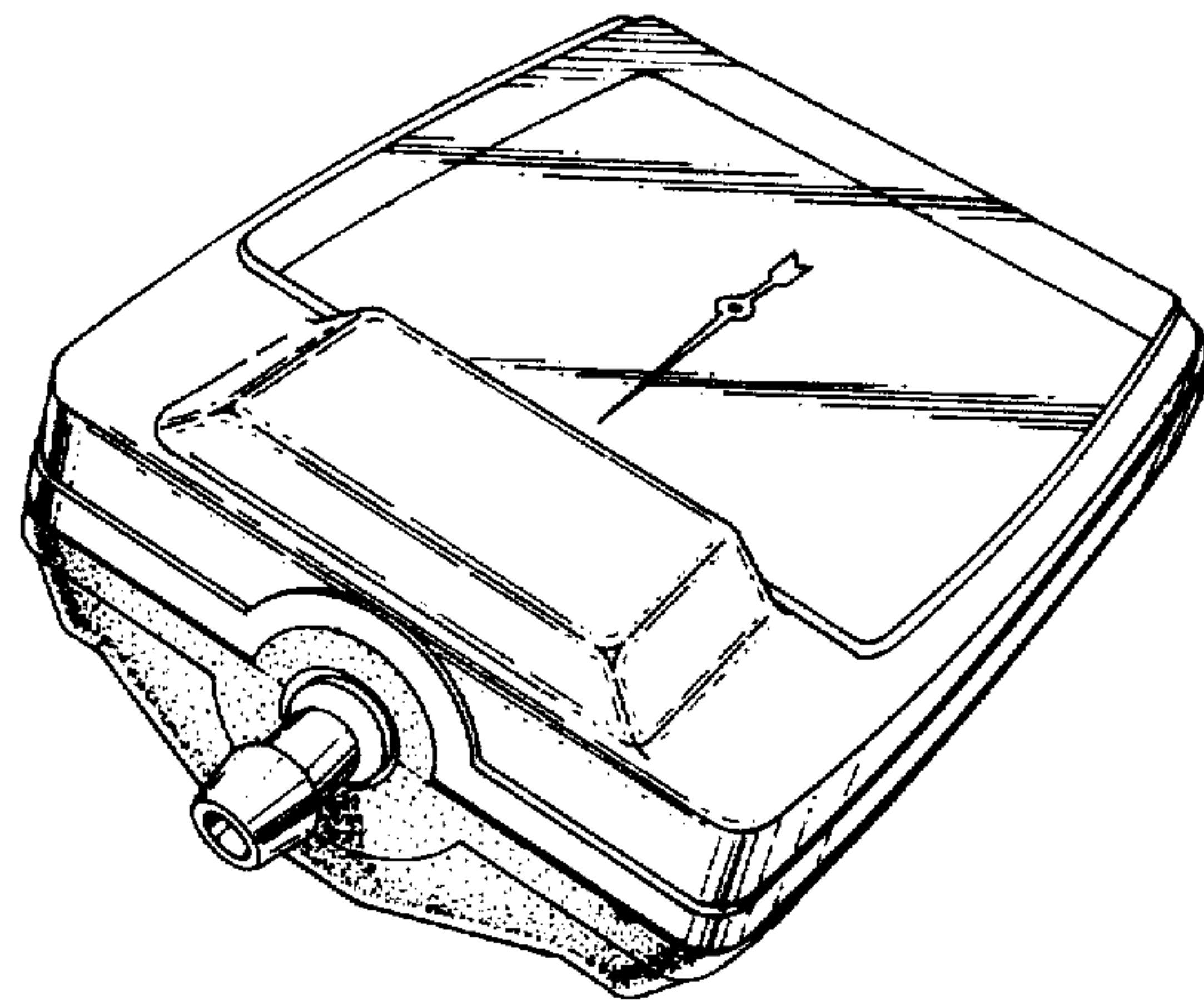


FIG. 1

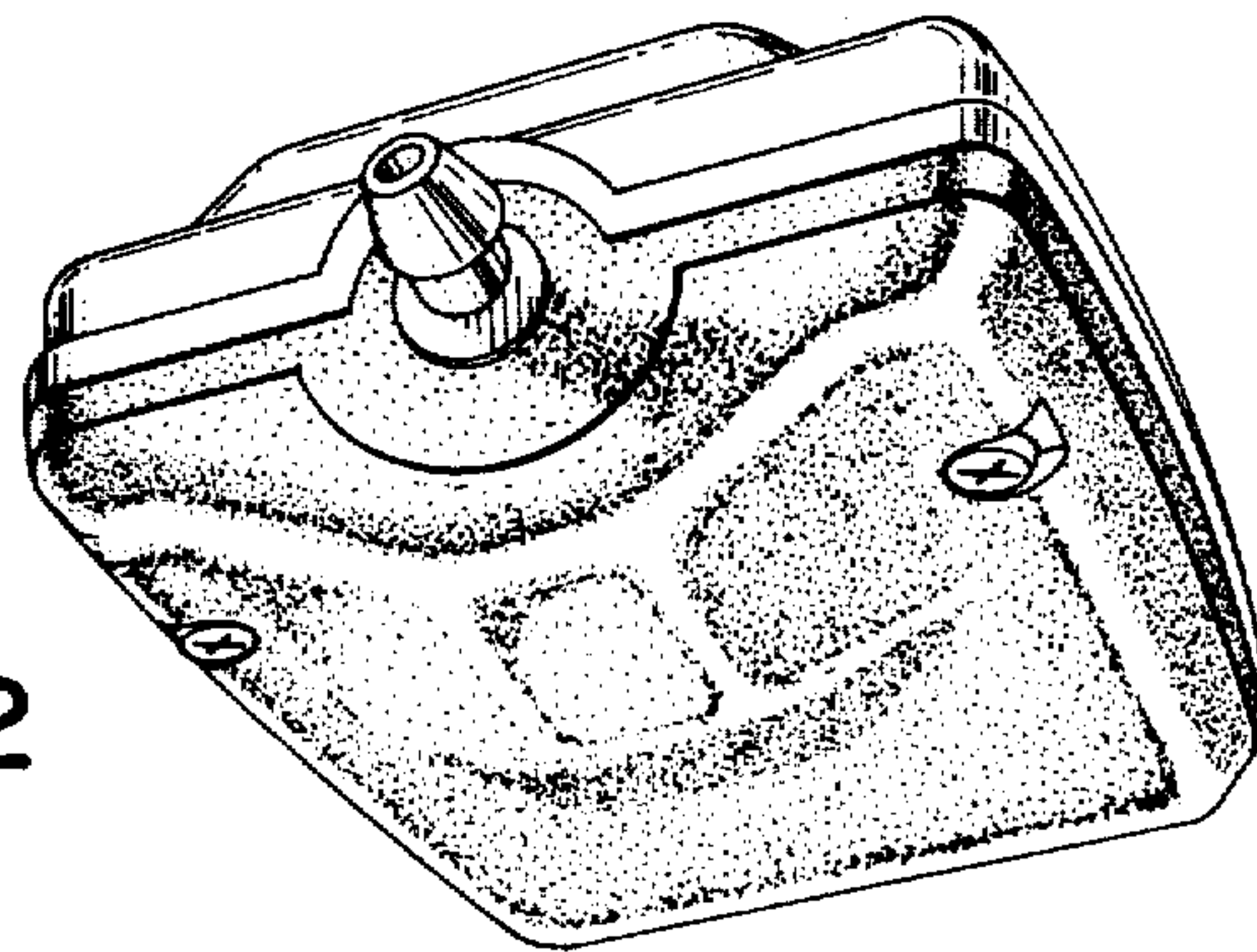


FIG. 2

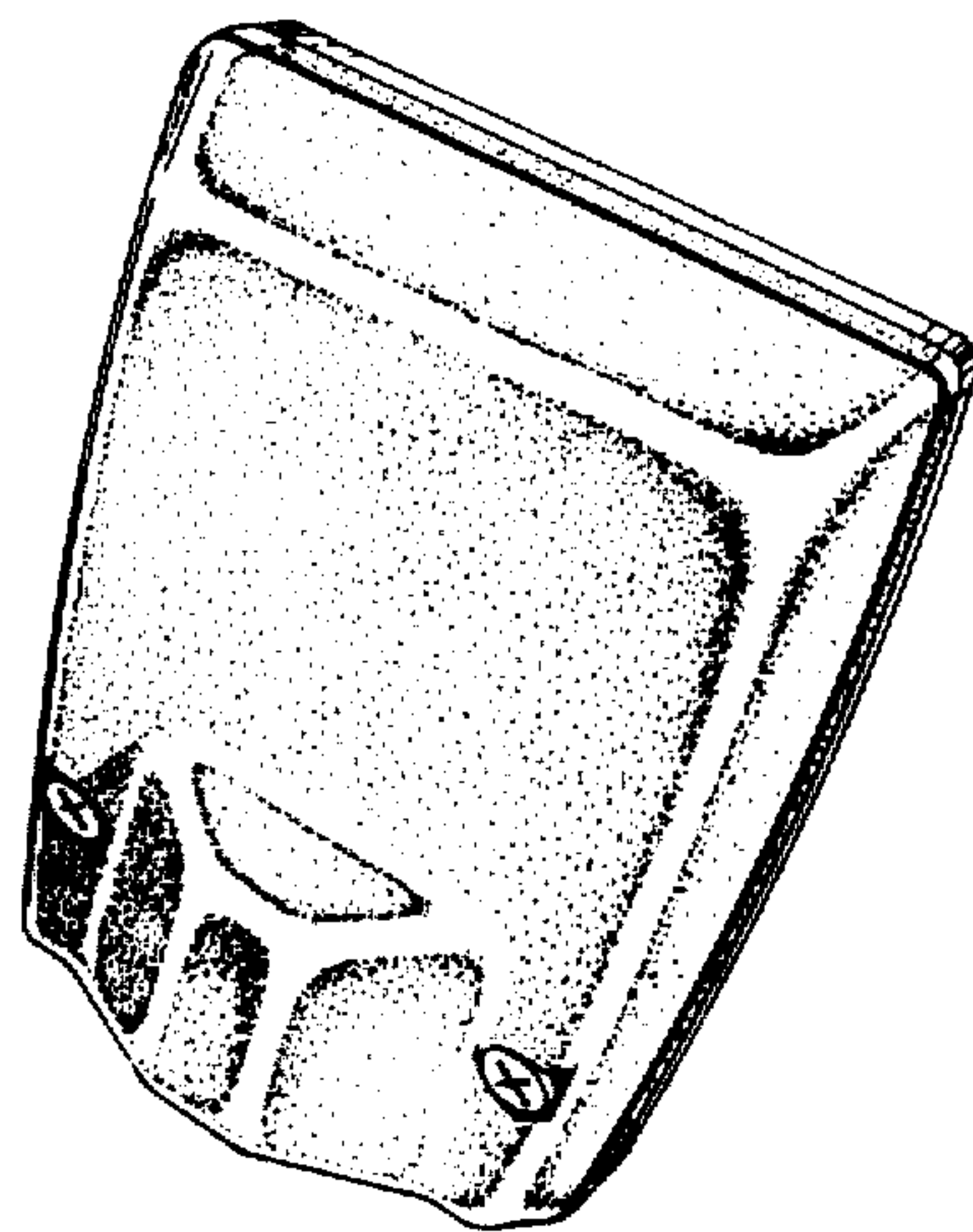


FIG. 3

FIG. 4

